



Foreman

Ductable Dual Fuel Indirect-Fired Heater

CI230	230,000 Btuh / 67.4 kW
CI500	500,000 Btuh / 146.54 kW
CI750	750,000 Btuh / 219.8 kW
LP Vapor Withdrawal or Natural Gas	

View this manual online at www.lbwhite.com

Attention

This heater has been tested and evaluated by OMNI Test Laboratories in accordance with the requirements of ANSI Z83.7-2017•CSA 2.14-2017 and is listed and approved as a ductable indirect gas-fired forced-air construction heater with application for the temporary heating of buildings under construction, alteration, or repair.

CHECK WITH YOUR LOCAL FIRE SAFETY AUTHORITY, YOUR FUEL GAS SUPPLIER, OR THE L.B.WHITE COMPANY IF YOU HAVE QUESTIONS REGARDING APPLICATIONS.

www.lbwhite.com



Report No: 0545GH001S



Congratulations!

You have purchased the finest circulating heater available. Your new L.B. White heater incorporates the benefits from the most experienced manufacturer of heating products using state-of-the-art technology.

We, at L.B. White, thank you for your confidence in our products and welcome any suggestions or comments you may have...contact us at 1-(800)-345-7200, or email us at customerservice@lbwhite.com.

NOTICE

The herein installation instructions are the L.B. White Co. LLC suggested recommendations and guidelines for temporary or permanent installation of the L.B. White Co. LLC heaters. Local, state, and electrical and safety code requirements supersede these guidelines.

SEE ASSEMBLY
INSTRUCTIONS
INSIDE

Please refer to important elevation information on inside cover.



SCAN THIS
with your smartphone or visit <http://goo.gl/nvneR> to view maintenance videos for L.B.White heaters.*

* Requires an app like QR Droid for Android or for iPhone

TABLE OF CONTENTS

Specifications	4
General Information & Overview	5
Safety Precautions	6
General Installation Instructions	11
L.B. White LINK Module	12
Gas Hose and Regulator Requirements.....	14
Start-Up Instructions.....	17
Shut-Down Instructions	18
Cleaning & Maintenance Instructions.....	19
Service Instructions	20
Troubleshooting.....	30
Electrical Wiring and Ladder Diagram.....	36
Parts List.....	38
Warranty Policy.....	42

WARNING

Standard products are manufactured to operate at optimum efficiency at elevations between 0 and 2000 ft. above sea level.

If operated at higher elevations the product will not function correctly and may function in an unsafe nature.

Products providing proper operation for alternate elevations may be available.

If you require a high elevation product, did not specify when ordering, and/or the box this unit came in does not have an alternate altitude designation sticker please contact technical support.

**GENERAL HAZARD WARNING**

Failure to comply with the precautions and instructions provided with this heater, can result in:

- Death
 - Serious bodily injury or burns
 - Property damage or loss from fire or explosion
 - Asphyxiation due to lack of adequate air supply or carbon monoxide poisoning
 - Electrical shock
 - Read this Owner's Manual before installing or using this heater.
 - Only properly-trained service people should repair or install this heater.
 - Save this Owner's Manual for future use and reference.
 - Owner's Manuals and replacement labels are available at no charge.
- For assistance, contact L.B. White at 800-345-7200.

**WARNING**

- Proper gas supply pressure must be provided to the inlet of the heater.
- Refer to data plate for proper gas supply pressure.
- Gas pressure in excess of the maximum inlet pressure specified at the heater inlet can cause fires or explosions.
- Fires or explosions can lead to serious injury, death, or building damage.
- Gas pressure below the minimum inlet pressure specified at the heater inlet may cause improper combustion.
- Improper combustion can lead to asphyxiation or carbon monoxide poisoning and therefore serious injury or death.

**WARNING**
Fire and Explosion Hazard

- Keep solid combustibles a safe distance away from the heater.
- Solid combustibles include wood, paper products, feathers, straw and dust.
- Do not use the heater in spaces which contain or may contain volatile or airborne combustibles, or flammable gases.
- Volatile or airborne combustibles and flammable gases include gasoline, solvents, paint thinner, dust particles or unknown chemicals.
- Failure to follow these instructions may result in a fire or explosion.
- Fire or explosions can lead to property damage, personal injury or loss of life.

**WARNING**
Fire and Explosion Hazard

- Not for home or recreational vehicle use.
- Installation of this heater in a home or recreational vehicle may result in a fire or explosion.
- Fire or explosions can cause property damage or loss of life.

FOR YOUR SAFETY

Do not store or use gasoline or other flammable vapors and liquids in the vicinity of this or any other appliance.

FOR YOUR SAFETY

If you smell gas:

1. Open windows.
2. Don't touch electrical switches.
3. Extinguish any open flame.
4. Immediately call your gas supplier.

**WARNING**

Cancer and reproductive harm.
See www.P65Warnings.ca.gov.

Specifications

Fuel Type	CI230		CI500		CI750	
	L.P. Vapor Withdrawal	Natural Gas	L.P. Vapor Withdrawal	Natural Gas	L.P. Vapor Withdrawal	Natural Gas
Maximum Input (Btuh / kWh)	230,000 / 67.4		500,000 / 146.5		750,000 / 219.8	
Inlet gas supply pressure acceptable at the inlet of the heater for purpose of input adjustment (inches w.c. / kPa)	MAX. 13.5 / 3.36 MIN. 7.0 / 1.7		MAX. 13.5 / 3.36 MIN. 8.0 / 2.0			
Burner manifold pressure (inches w.c. / kPa)	3.7 / 0.92	3.6 / 0.90	3.0 / 0.75	4.6 / 1.14	2.8 / 0.70	3.4 / 0.85
Fuel Consumption per hour	10.7 lbs / 4.8 kg	230 cu. ft. / 6.5 m ³	23 lbs. / 10.4 kg	500 cu. ft. / 14.2 m ³	34.8 lbs. / 15.8 kg	750 cu. ft. 21.2 m ³
Motor Characteristics	Ball Bearing, 1/2 HP / 373 Watts, 1725 RPM		Ball Bearing, 1.5 H.P. / 1,119 Watts, 1725 RPM		Ball Bearing, 2 H.P. / 1,491 Watts, 1725 RPM	
Blower Speed (RPM)	1725		1000			
Electrical Supply (Volts / Hz /Phased)	120 / 60 / 1				240 / 60 / 1	
Amp Draw	Starting	32	35			
	Continuous	9.0	14.8		12.0	
Dimensions (inches/cm) L x W x H	61 x 26.5 x 41 / 155 x 67 x 104		92.5 x 32 x 44.5 / 235 x 81 x 112			
Minimum Safe Distances From Nearest Combustible Materials (Feet/ Meter)	Top:	3.0 / 0.91				
	Sides:	1.0 / 0.30				
	Rear:	3.0 / 0.91				
	Blower Outlet:	6.0 / 1.83				
	Flue Pipe:	3.0 / 0.91				
Propane Fuel Supply Container (Feet/Meter)	U.S.	6.0 / 1.83				
	Canada	10.0 / 3.05				
Minimum Ambient Temperature in Which Heater May be Used (°F/°C)	-20 / -29					
Net Weight (lb / kg)	307 / 139.5		655 / 297.1		670 / 303.9	

General Information

This Owner's Manual includes accessories commonly used on this heater. These accessories must be ordered separately.

When calling for technical service assistance, or for other specific information, **always** have model number and serial number available. This information is contained on the dataplate.

This manual will instruct you in the operation and care of your unit. Have your installer review this manual with you so that you fully understand the heater and how it functions.

Contact your local L.B. White distributor or the L.B. White Co., LLC for assistance, or if you have any questions about the use of the equipment or its application.

The L.B. White Co., LLC has a policy of continuous product improvement. It reserves the right to change specifications and design without notice.

Overview

The heater is equipped with a burner assembly. The assembly includes an electronic igniter, solenoid valves, and burner head with orifice. When the heater is turned ON, the igniter will spark, with gas delivered through the solenoids to the burner orifice. Ignition will occur.

The burner will heat the heat exchanger. After a predetermined time frame has passed, a fan controller will start the blower motor, and blow cool air over the heat exchanger. The cool air will be preheated by passing over the heat exchanger, with warm, dry air delivered the area to be heated.

Combustion by-products created during the heating process will be transferred up a vent stack directly to the outside, thereby providing only clean, dry air to the heated area.

When the heater is turned OFF, the solenoid valves will close cutting off gas to the burner. The fan controller will continue to run the blower motor for a predetermined period of time to allow the heat exchanger to cool down. After this time frame has elapsed, the fan controller will disconnect power to the blower motor, thereby shutting the blower motor down completely.

Safety Precautions



WARNING

Air Quality Hazard

- Do not use this heater for heating human living quarters.
- Use of direct-fired heaters in the construction environment can result in exposure to levels of CO, CO₂, and NO₂ considered to be hazardous to health and potentially life threatening.
- Do not use in unventilated areas.
- Know the signs of CO and CO₂ poisoning
 - Headaches, stinging eyes.
 - Dizziness, disorientation.
 - Difficulty breathing, feeling of being suffocated.
- Proper ventilation air exchange (OSHA 29 CFR 1926.57) to support combustions and maintain acceptable air quality shall be provided in accordance with OSHA 29 CFR part 1926.154, ANSI A10.10 Safety Requirements for Temporary and Portable Space Heating Devices and Equipment used in the Construction Industry or the Natural Gas and Propane Installation Codes CSA B149.1.
 - Periodically monitor levels of CO, CO₂, and NO₂ existing at the construction site – at the minimum at the start of the shift and after 4 hours.
 - Provide ventilation air exchange, either natural or mechanical, as required to maintain acceptable indoor air quality.

USA 8-Hr. Time weighted average
(OSHA 29 CFR 1926.55 App A)

CO 50 ppm
CO₂ 5,000 ppm
NO₂

USA – Ceiling Limit
(Short Term Exposure Limit = 15 minutes)

CO
CO₂

NO₂ 5 ppm

Canada 8-Hr. Time weighted average
WorkSafe BC OHS Guidelines Part 5.1
and Ontario Workplaces Reg 833
25 ppm
5,000 ppm
3 ppm (Reg 833)

Canada STEL (15 minutes Reg 833/1 hr.
WSBC) WorkSafe BC OHS Guidelines part
5.1 and Ontario Workplaces Reg 833
100 ppm
15,000 ppm (WSBC)
30,000 ppm (Reg 833)
1.0 ppm (WorkSafeBC)
5.0 ppm (Reg 833)

- Ensure that the flow of combustion and ventilation air exchange cannot become obstructed.
- As the building 'tightens up' during the construction phases, ventilation may need to be increased.

Fuel Gas Odor

Propane gas and natural gas have man-made odorants added specifically for detection of fuel gas leaks. If a gas leak occurs, you should be able to smell the fuel gas .

THAT'S YOUR SIGNAL TO GO INTO IMMEDIATE ACTION!

- Do not take any action that could ignite the fuel gas. Do not operate any electrical switches. Do not pull any power supply or extension cords. Do not light matches or any other source of flame. Do not use your telephone.
- Get everyone out of the building and away from the area immediately.
- Close all fuel supply valves.
- Propane gas is heavier than air and may settle in low areas. When you have reason to suspect a propane leak, keep out of all low areas.
- Use your neighbor's phone and call your fuel gas supplier and your fire department. Do not re-enter the building or area.
- Stay out of the building and away from the area until declared safe by the firefighters and your fuel gas supplier.
- FINALLY, let the fuel gas service person and the firefighters check for escaped gas. Have them air out the building and area before you return. Properly trained service people must repair the leak, check for further leakages, and then relight the heater for you.

Odor Fading - No Odor Detected

- Some people cannot smell well. Some people cannot smell the odor of the man-made chemical added to propane or natural gas. You must determine if you can smell the odorant in these fuel gases.
- Learn to recognize the odor of propane gas and natural gas. Local propane gas dealers and your local natural gas supplier (utility) will be more than happy to give you a "scratch and sniff" pamphlet. Use it to become familiar with the fuel gas odor.
- Smoking can decrease your ability to smell. Being around an odor for a period of time can affect your sensitivity to that particular odor.
- The odorant in propane gas and natural gas is colorless and the intensity of its odor can fade under some circumstances.
- If there is an underground leak, the movement of gas through the soil can filter the odorant.
- Propane gas odor may differ in intensity at different levels. Since propane gas is heavier than air, there may be more odor at lower levels.
- Always be sensitive to the slightest gas odor. If you continue to detect any gas odor, no matter how small, treat it as a serious leak. Immediately go into action as discussed previously.

Attention - Critical Points to Remember!

- Propane gas and natural gas have a distinctive odor. Learn to recognize these odors. (Reference “Fuel Gas Odor” and “Odor Fading” sections.
- If you have not been properly trained in repair and service of propane gas and natural gas fueled heaters, then do not attempt to light the heater, perform service or repairs, or make any adjustments to the heater on a propane gas or natural gas fuel system.
- Even if you are not properly trained in the service and repair of the heaters, ALWAYS be consciously aware of the odors of propane gas and natural gas.
- A periodic “sniff test” around the heater or at the heater’s joints; i.e. hose, connections, etc., is a good safety practice under any conditions. If you smell even a small amount of gas, CONTACT YOUR FUEL GAS SUPPLIER IMMEDIATELY. DO NOT WAIT!

QUALIFICATIONS FOR SERVICING AND INSTALLATION:

1. Do not attempt to install, repair, or service this heater or the gas supply line unless you have continuing expert training and knowledge of gas heaters.

Qualifications for service and installation of this equipment are as follows:

- a. To be a qualified gas heater service person, you must have sufficient training and experience to handle all aspects of gas-fired heater installation, service and repair. This includes the task of installation, troubleshooting, replacement of defective parts and testing of the heater. You must be able to place the heater into a continuing safe and normal operating condition. You must completely familiarize yourself with each model heater by reading and complying with the safety instructions, labels, Owner’s Manual, etc., that is provided with each heater.
- b. To be a qualified gas installation person, you must have sufficient training and experience to handle all aspects of installing, repairing and altering gas lines, including selecting and installing the proper equipment, and selecting proper pipe and tank size to be used. This must be done in accordance with all local, state and national codes as well as the manufacturer’s requirements.

- c. In the Commonwealth of Massachusetts, this product must be installed by a gas fitter licensed in the Commonwealth of Massachusetts.

2. All installations and applications of L.B. White heaters must meet all relevant local, state and national codes. Included are L.P. gas, natural gas, electrical, and safety codes. Your local fuel gas supplier, a local licensed electrician, the local fire department or similar government agencies, or your insurance agent can help you determine code requirements.

U.S. Installations:

- NFPA 102, Standard for Assembly Seating, Tents and Membrane Structures.
- ANSI A10.0, Latest Edition Safety Requirements for Temporary and Portable Space Heating Devices and Equipment Used in Construction Industry.
- ANSI/NFPA 58, latest edition, Standard for Storage and Handling of Liquefied Petroleum Gas and/or ANSI Z223.1/NFPA 54, National Fuel Gas Code
- ANSI/NFPA 70, National Electrical Code

Canadian Installations:

- CSA B149.1 Natural Gas and Propane Gas Installation Code.
- CSA C22.1 Part 1 Standard Canadian Electrical Code, and CSA C22.2 No. 3, Electrical Features of Fuel Burning Equipment.

3. We cannot anticipate every use which may be made of our heaters. Check with the local fire safety authority if you have questions about applications.
4. Do not wash the interior of the heater. Use only compressed air, a soft brush or dry cloth to clean the interior of the heater and its components.
5. For safety, this heater is equipped with two resettable high limit switches and an air-pressure switch. Never operate the heater with any safety device that has been bypassed. Do not operate this heater unless all of these features are fully functioning.

6. Do not locate fuel gas containers or fuel supply hoses within 20 feet/6 meters of the heater's blower outlet.
7. Do not direct the heater toward any propane gas container within 20 ft. (6m) of the heater's air discharge. When ducting is attached to the heater, the heater's hot air discharge is the end of the ducting.
8. Do not block air intakes or discharge outlets of the heater. Doing so may cause improper combustion or damage to heater components leading to property damage.
9. The hose assembly shall be visually inspected on a daily basis after heater relocation and when the heater is in use. If it is evident there is excessive abrasion or wear, or if the hose is cut, it must be replaced prior to the heater being put into operation. The hose assembly shall be protected from building materials, and contact with hot surfaces during use. The hose assembly shall be that specified by the manufacturer. See parts list.
10. Check for gas leaks and proper function upon heater installation, when relocating, and after servicing. Refer to leak check instructions within installation section of this manual.
11. This heater should be inspected for proper operation by a qualified service person before each use and at least annually.
12. Always turn off the gas supply to the heater if the heater is not going to be used.
13. This heater is wired with a ground connection for your protection against shock hazard and must be wired directly into a properly grounded electrical supply. Failure to use a properly grounded electrical supply can result in electrical shock, personal injury, or death.
14. If gas flow is interrupted and flame goes out, do not relight the heater until you are sure that all gas that may have accumulated has cleared away. In any event, do not relight the heater for at least 5 minutes.
15. The heater requires a minimum 500 gallon/1892 liter propane tank for proper gas supply pressure and operation. A larger tank may be required depending upon operating temperature conditions at the site.
16. When the heater is to be stored indoors, the connection between the propane gas supply container and the heater must be disconnected. The container must be removed from the heater and stored in accordance with NFPA 54 National Fuel/Gas Code, Standard for the Storage and Handling of Liquefied Petroleum Gases, ANSI/NFPA 58, or CSA B149.1 Natural Gas and Propane Gas Installation Code.
17. Propane gas supply containers have left handed threads. Always use the appropriate wrench to make a connection to tighten or loosen the pigtail connector's P.O.L. fitting at the container's gas supply valve.
18. The heater may start at any time when used with a thermostat.

Safety System

High Temperature Control: The heater is equipped with a high temperature switch designed to turn the heater off if the internal temperature reaches an unsafe level. This is a manual reset design.

Air Pressure Switch: This component ensures that the burner's fan motor is operating at the proper speed to ensure a safe start up before ignition occurs.

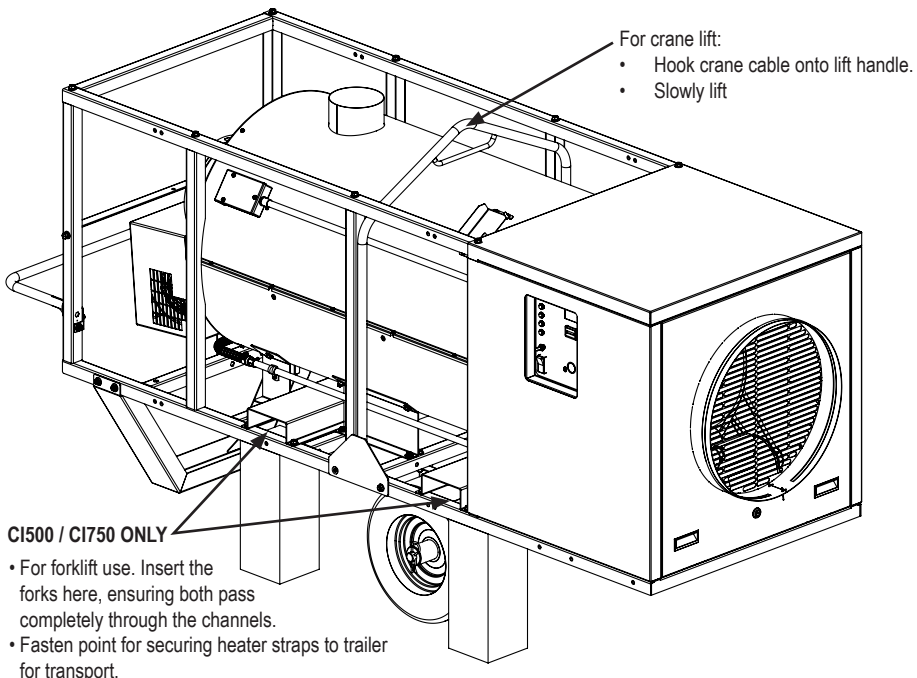
Flame sensor: Used with the ignition control, it proves that burner flame is established and keeps the burner in operation as long as there is a call for heat.

Moving/Transporting the Heater

WARNING: NEVER transport the heater while it is standing on its end (CI230).

Securing the heater onto a trailer or a flat bed

- CI230 - Place one solid block under each side of the heater frame.
- CI500/750 - Place one solid block under each forklift channel of each side of the heater frame.
- Ensure the block are large enough so it will prevent any downward pressure onto the wheels when strapping the heater to the trailer.
- Secure the straps to the lowest point on the heater frame.
- DO NOT use the heater's handle as a point of securing the heater to the trailer.



General Installation Instructions



WARNING

Fire and Explosion Hazard

Can cause property damage, severe injury or death.

To avoid dangerous accumulation of fuel gas, turn off gas supply at the heater service valve before starting installation, and perform gas leak test after completion of installation.

1. Read all safety precautions and follow L. B. White recommendations when installing this heater. If during the installation or relocating of heater, you suspect that a part is damaged or defective, call a qualified service agency for repair or replacement.
2. Using a level, make sure the heater is level and properly positioned before use. Observe and obey all minimum safe distances of the heater to the nearest combustible materials. Safe distances are given on the heater dataplate and specifications on page 4 of this manual.
3. This heater may be installed either indoors or outdoors. For indoor installations, the heater must be vented to the outside. See installation of inside structure section of this manual.
4. The heater's gas pressure regulator (with pressure relief valve) must be protected from adverse weather conditions (rain, ice, snow) as well as from building materials (tar, concrete, plaster, etc.) which can affect safe operation and could result in property damage or injury.
5. Heaters used in the vicinity of combustible tarpaulins, canvas, plastics, wind barriers, or similar coverings shall be located at least 10 feet/3.05 meters from the coverings. The coverings shall be securely fastened to prevent ignition or upsetting of the heater due to wind action on the covering or other material.
6. Extension cord wire size requirements
 - C1230
 - Up to 50 ft., use 16 AWG
 - 50 ft to 100 ft., use 14 AWG
 - Beyond 100 ft., consult your electrician
 - C1500/C1750
 - Up to 50 ft., use 12 AWG
 - Beyond 50 ft., use 10 AWG

7. Check all connections for gas leaks using approved gas leak detectors. Gas leak testing is performed as follows:



WARNING

Fire and Explosion Hazard

- Do not use open flame (matches, torches, candles, etc.) in checking for gas leaks.
- Use only approved leak detectors.
- Failure to follow this warning can lead to fires or explosions.
- Fires or explosions can lead to property damage, personal injury or loss of life.

- Check all pipe connections, hose connections, fittings and adapters upstream of the gas control with approved gas leak detectors.
- In the event a gas leak is detected, check the components involved for cleanliness and proper application of pipe compound before further tightening.
- Tighten the gas connections as necessary to stop the leak.
- After all connections are checked and any leaks are stopped, turn on the main burner.
- Stand clear while the main burner ignites to prevent injury caused from hidden leaks that could cause flashback.
- With the main burner in operation, check all connections, hose connections, fittings and joints as well as the gas control valve inlet and outlet connections with approved gas leak detectors.
- If a leak is detected, check the components involved for cleanliness in the thread areas and proper application of pipe compound before further tightening.
- Tighten the gas connection as necessary to stop the leak.
- If necessary, replace the parts or components involved if the leak cannot be stopped.
- Ensure all gas leaks have been identified and repaired before proceeding.

8. A qualified service agency must check for proper operating gas pressure upon installation of the heater.
9. Light according to instructions on heater or within owner's manual.
10. Make sure the heater has the proper gas regulator for the application. A regulator must be connected to the gas supply so that gas pressure at the inlet to the gas valve is regulated within the range specified on the data plate at all times. Contact your gas supplier or the L.B. White Co., LLC. if you have any questions.
11. This heater includes a gas selector valve allowing use for either LP or Natural Gas. Ensure the gas selector valve is in the correct position for fuel being used.
12. The heater must be installed so as not to interfere with or obstruct normal exits, emergency exits, doors and walkways.
13. Railing, fencing or suitable substitute materials must be used to keep the heating equipment from any people using and visiting the structure.
14. The heater shall be located so that rain, ice, or snow drainage from the structure does not affect equipment operation. If the heater is mounted outside, it must be mounted above any pooled or standing water. If the unit is to be located on the ground, a surrounding trench is recommended to drain any rain, ice or snow away from the unit.
15. The ground and surrounding terrain must be cleared of any combustible vegetation and other combustible materials when the heater is utilized outside.
16. Eventually, like all electrical/mechanical devices, the thermostat can fail. Thermostat failure may result in an under-heating condition. The thermostat should be tested to make sure it turns the heater on and off within a temperature differential of $\pm 3^{\circ}\text{F}$ ($\pm 1.5^{\circ}\text{C}$).
17. Take time to understand how to operate and maintain the heater by using this Owner's Manual. Make sure you know how to shut off the gas supply to the building and also to the individual heater. Contact your fuel gas supplier if you have any questions.

18. Any defects found in performing any of the service or maintenance procedures must be eliminated and defective parts replaced immediately. The heater must be retested by properly qualified service personnel before placing the heater back into use.
19. For either indoor or outdoor use. Adequate ventilation shall be provided in accordance with OSHA 29 CFR 1926.154, Safety Requirements for Temporary and Portable Space Heating Devices and Equipment, ANSI A10.10, National Fuel Gas Code, ANSI Z223.1/NFPA54, Liquefied Petroleum Gas Code, NFPA 58 or the Natural Gas and Propane Installation Code, CAN B149.1, as appropriate.



The L.B. White Foreman heaters will be either configured from the factory to be L.B. White LINK Ready or Compatible. See the model number on the dataplate to determine if your Foreman heater is either L.B. White LINK Ready or Compatible. If you model design end with the letter "L", then it is L.B. White LINK Ready. If your model design does not end with the letter "L", then it is only L.B. White LINK Compatible. See example below.

		Model/Modelo/Modelo C1500BSDN42168TL	
Serial No./No. de série			
Fuel / Carburant / Combustible	LPG/NG	Maximum Maximo	Minimum Minimo
Elevation / Elevation (ft/m)	0 - 2,000 / 0 - 610	Maximale	Minimale
Input / D'Entrée / Entrada (kBtu/kW)		500 / 146.5	N/A
Manifold pressure / Pression du brûleur / Quemador de presión (inWCIkPa)	LPG	3.9 / 1.0	N/A
	NG	5.7 / 1.4	N/A
Inlet pressure / Pression d'entrée / Presión de entrada (inWCIkPa)		13.5 / 3.4	8.0 / 2.0
Electrical / Électrique / Eléctrico (VIA/Hz/Ø)		120 / 14.8 / 60 / 1	
Min. operating temp./Min. température de fonctionnement (°F/°C)		-20 / -28	
L.B. White Co., LLC 411 Mason Street Onalaska, WI 54650 USA 1-608-783-5691			

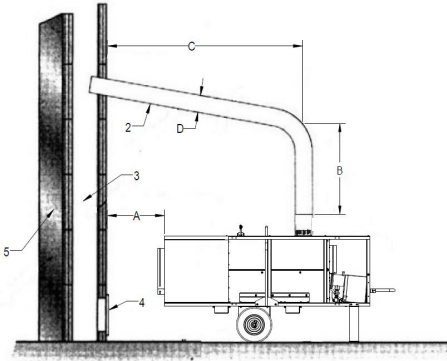
For L.B. White LINK Ready Foreman, order kit number **500-133307**. For L.B. White LINK Compatible Foreman, see below.

MODEL	KIT NO.
FOREMAN 230 DF	500-133224
FOREMAN 500/750 DF	500-133193

For more information on the LINK system, contact your local L.B. White Dealers. You may also call the L.B. White Company, LLC at 1-800-345-7200.

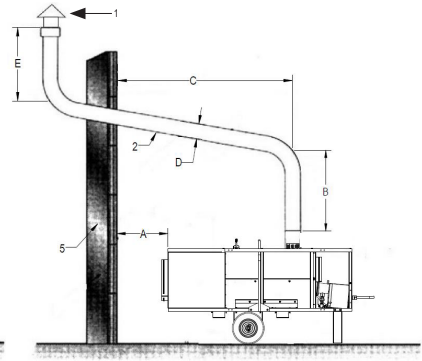
Inside Structure

IN EXISTING CHIMNEY



- 1) Anti-wind device, optional accessory
- 2) Horizontal crossing with minimal upside angle pitch of 5°
- 3) Chimney 8 in. x 8 in. of minimal inside measure
- 4) Chimney anti-explosion flap door
- 5) External seating wall

DIRECTLY TO OUTSIDE



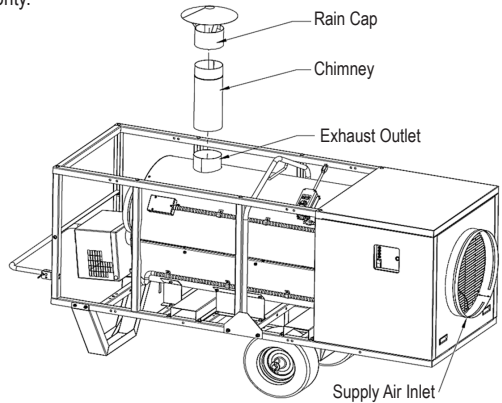
- A. Minimal 3 Ft.
- B. Minimal 3 ft.
- C. Shortest
- D. The same or bigger than the heaters stack outlet diameter.
- E. Minimal 3 ft.

Note: The above information is a recommendation only. Have your installation checked by a local authority.

⚠ WARNING

Asphyxiation Hazard

- When installing indoors, the heater's exhaust must be vented to the outside.
- Failure to comply can result in asphyxiation due to lack of adequate air supply or carbon monoxide poisoning.
- Carbon monoxide poisoning can lead to serious injury or death.



Outside Structure

To prevent recirculation of flue gas from the exhaust outlet to the heater air inlet, an exhaust stack of 5ft./1.25meter minimum is required to be installed onto the exhaust outlet. To protect against water entry when the heater is installed outdoors, a rain cap is necessary.

Optional accessory chimney and rain cap may be purchased through the L. B. White Co.

Duct Installation

This heater may be ducted using the approved L.B. White distribution devices.

- 12 in. / 30.48 cm dia. x 25 ft. / 7.62 m duct. L.B. White part # 500-30052, duct adapter not required.
- (CI500 / CI750), 16 in. / 40.64 cm dia. x 25 ft. / 7.62 duct kit, L.B. White part# 500-30076. A duct adapter part # 500-30902 is required.
- Substitute ductwork material is acceptable but must conform to the following requirements:
 1. Duct must have a minimum material temperature of 300°F/149°C
 2. Ducting up to 100 ft. / 30.48 m can be connected to the heater as long as the static pressure does not exceed the static limit. See table below for details. Increase static pressure will reduce flow rate and can cause the high temperature limits to shut the heater down. Bends and kinks in the duct, or duct collapse are all likely to increase static pressure.

Model	Max. Static Pressure
CI230	1 in. w.c. / 0.25 kPa
CI500 / CI750	2.5 in. w.c. / 0.62 kPa

-- Locate the duct under suitable wind barrier materials for jobsite requirements.

3. Alternate 12" duct can be used from the following manufacturer's:
 - Artic Helix - Norseman
 - Artic Econorush - Norseman
 - Hitex Series - NTI Global
 - Ventflex Series - NTI Global

NOTE:

- When using the ducting, ensure that bends in ducts are kept to a minimum. A maximum of two 90° bends is allowed.
- Reducing the number of bends will ensure that the warm air exiting the heater flows freely, thereby preventing overheating. If there are excessive bends, the high limit switches may open.

OPTIONAL:

An air recirculating duct kit with a maximum duct length of 25 ft. / 7.62m may be attached to the heater supply air inlet.

CI230 16 in. / 40.6 cm Dia. x 25 ft. / 7.62 m.
 CI500/750 20 in. / 50.8 cm Dia. x 25 ft. / 7.62 m.

Gas Hose and Regulator

NOTE: The gas hose and regulator are not shipped with the heater. They are optional accessory and must be ordered separately.

PROPANE HEATERS

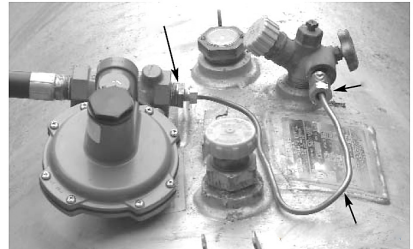
Twin stage regulator: 500-25141

Minimum diameter of gas hose for 15' length

CI230 / CI500: 3/4 inch, 500-25965

CI750: 1 inch, 500-132047

1. Lift the tank's cover.
2. Assemble bushing, pigtail connector and regulator as shown. Tighten connections securely.



3. Carefully form the connector to ensure the regulator will be supported by the tank, and the tank valve cover will protect the regulator from weather conditions.
4. Thread connector's POL fitting counter-clockwise into the tank valve. Tighten securely.
5. Open the tank valve.
6. Check all connections with an approved leak detector. Close the tank's cover.
7. When storing or transporting the heater, ensure the connector's fitting is protected from damage and dirt entry.

NATURAL GAS HEATERS

--- A regulator should be used if the supply pressure to the heater is above the maximum inlet pressure of 13.5 in. W.C. (3.36 kPa). See table below for details.

---- Connect a regulator to the natural gas supply line using the proper plumbing devices.

Natural Gas Supply Pressure to 2nd stage regulator			
		2 PSIG	5 PSIG
CI230	Regulator	500-25141	
	Gas Hose	500-25965	
CI500	Regulator	500-132046	500-25141
	Gas Hose	500-132047	
CI750	Regulator	500-132136	500-132046
	Gas Hose	Contact your local LP Gas dealer	

*If the supply inlet pressure to the heater is less than 1/2 psig, a second stage regulator is not required.

Gas Supply Sizing

The vaporization of propane is affected by several factors: the surface area of the container, the liquid level of propane, temperature surrounding the container, and the relative humidity. All of these factors are specific to a site. Therefore, a degree of experience and judgement is required to select the proper propane supply. Although experience is the best guide, the following recommendations can be used as a starting point. The table below is based on experience in northern climates where cold weather and high humidity are prevalent in the winter. If more or less favorable conditions prevail at a specific site, adjustments can be made on the basis of experience.

If more than one gas supply container is used per heater, the containers must be connected together by a manifold to allow vapor withdrawal simultaneously from multiple containers. The manifold system shall be in accordance with NFPA 58 or CSA B149.1.

Gas Supply Sizing

Tank Size (Gall.)	Temperature (F)	Percentage of Liquid in Tank							
		80	70	60	50	40	30	20	10
500	0	532,800	488,400	444,000	400,000	355,000	311,000	266,000	200,000
	-5	399,600	366,300	333,000	300,000	262,500	233,250	199,500	150,000
	-10	266,400	244,200	222,000	200,000	177,500	155,500	133,000	100,000
	-15	133,200	122,100	111,000	100,000	88,750	77,750	66,500	50,000
1,000	0	949,200	870,100	791,000	712,000	633,000	553,000	474,000	356,000
	-5	711,900	652,575	593,250	534,000	474,500	414,750	355,500	287,000
	-10	474,600	435,050	395,500	356,000	316,500	316,500	237,000	178,000
	-15	237,300	217,525	197,750	178,000	158,250	158,250	118,500	89,000

Tank Size (Liter)	Temperature (C)	Percentage of Liquid in Tank							
		80	70	60	50	40	30	20	10
1893	-18	156.16	143.15	130.14	117.24	104.05	91.15	77.96	58.62
	-21	117.12	107.36	97.60	87.93	76.94	68.37	58.47	43.97
	-23	78.08	71.58	65.07	58.62	52.03	45.58	38.98	29.31
	-26	39.04	35.79	32.53	29.31	26.01	22.79	19.49	14.66
3785	-18	278.21	255.03	231.84	208.69	185.53	162.08	138.93	104.34
	-21	208.66	191.27	173.88	156.52	139.08	121.56	104.20	78.26
	-23	138.11	127.51	115.92	104.34	92.77	82.77	69.46	52.17
	-26	69.55	63.76	57.96	52.17	46.38	46.38	34.73	26.09

Air Adjustment Gate

NOTE: Adequate combustion air must be achieved for complete and proper combustion.

This heater's air adjustment gate is factory set to operate normally at 0-2,000 ft. above sea level. The air gate will require adjustment if the heater is to operate above 2,000 ft. For service in adjusting of the air gate, contact..

CI500/CI750

Riello Burner North America
35 Pond Park Road
Hingham, MA USA 02043
(800) 474-3556
www.riello.com/north-america/

CI230

Beckett Corporation
P.O. Box 1289
Elyria, OH 44036
(800) 645-2876
www.beckettcorp.com

NOTE: Variations in flue gas, CO₂, and temperature readings may be experienced when the burner chassis is not put in place. Therefore, the burner chassis cover **must** be in place when making the final combustion instrument readings, to ensure proper test results.

Thermostat

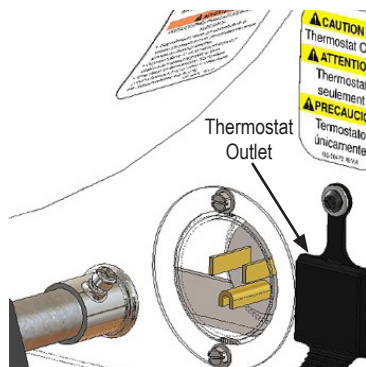
The optional remote thermostat is a fully enclosed NEMA 4X with a single stage temperature adjustment ($\pm 3^{\circ}\text{F}/\pm 16^{\circ}\text{C}$ degrees). L.B. White part # 500-30125.



If thermostat is not needed or required, select manual setting on thermostat switch.



If a thermostat is required, lift the thermostat outlet cover and plug the male prong of the thermostat cord to the thermostat outlet of the heater. Select thermostat setting on the thermostat toggle switch.



WARNING

- ALWAYS cover the thermostat outlet when not in use.
- DO NOT plug an appliance to the thermostat outlet.
- DO NOT plug an inline thermostat into the thermostat outlet.

Start-Up Instructions


For initial start-up after heater installation, follow steps 1-5. For normal start-up, set the thermostat above room temperature or set thermostat selector switch to the manual position.

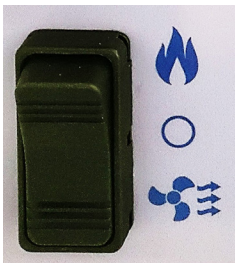
1. This heater is wired with a ground connection for your protection against electrical shock hazard. The heater must be connected directly to a properly wired and grounded electrical supply. (Minimum breaker size: C1230-15 amp, C1500/C1750-20 amp).
2. Set thermostat to desired room temperature or set thermostat selector switch to the manual position.
3. Position the fuel selector valve as shown for fuel being used.


This heater is shipped from the factory with the fuel selector valve in the propane gas (LP) position. Ensure the fuel selector valve's handle is properly positioned for the fuel being used.

C1500 / C1750 LABEL SHOWN BELOW




4. This heater has a rocker style selector switch located on the side of the heater. This switch allows for either heat mode or ventilate mode (no heat) . 



5. When the switch is set to heat , three status lights will be activated in sequence as specific circuits are checked by the heater controller. If the heater does not light, and a status light is off, refer to the troubleshooting section of this manual.
6. Do not exceed input rating stamped on nameplate or manufacturer's recommended burner orifice pressure for size orifice(s) used. Make certain that the primary air supply to main burner is open and free of dust, dirt and debris for complete, proper combustion.

A. Heating Mode Operation

- a. Open all manual fuel supply valves. Check for gas leaks using an approved leak detector. Check the gas selector valve for proper gas.
- b. When the selector switch is positioned to heat  and the thermostat is calling for heat, a set of green lights will illuminate (power ON and thermostat ON).

C1230

- The burner motor has a 60 seconds pre-purge. The high limit LED and the red status LED on the GeniSys control board will have a slow steady flash.

C1500/C1750



- The burner motor will pre-purge for 1 minute. The high limit LED will be flashing during this cycle.

All models

After the pre-purge, the igniter will spark and ignition will occur. The blower motor has a time delay before operating (C1230-15 seconds, C1500/C1750-30 seconds). The thermostat will cycle the heater ON or OFF based upon temperature setting.

Note: When the thermostat cycles the heater off or the selector switch is switched to OFF, the blower motor will continue to run for an additional 90 seconds to cool down the heat exchanger. **DO NOT UNPLUG THE HEATER UNTIL THE COOL DOWN CYCLE IS COMPLETED.**

B. Vent Mode Operation

When the selector switch is positioned to vent , only the main fan light will illuminate. Neither the ignition cycle nor the burner motor will be initiated. Only the blower motor will be power. This feature is used typically when heat is not needed, but air circulation is required. The heater will not cycle on its thermostat setting. To discontinue the ventilation feature, position the switch to midpoint O or heat .

If you desire to use the ventilation feature, the connection of the gas supply (i.e. hose and regulator) to the fuel source is not needed.

C. Off O

Position the switch to midpoint O

Safety Lock-Out

CI500 / CI750

This heater is equipped with interlocking safety devices. In the event of a failure while the burner is in operation, or if the burner air supply is obstructed, the burner will "lock-out". If this happens, the reset button on the burner controller will illuminate to RED.

TO RESET THE CONTROL BOX

Push and hold the reset button on the burner status button for 1 to 2 seconds.



The burner will restart after a 5 second pause once the button is released.

DIAGNOSTICS MODE

The controller features diagnostics which identifies the cause of malfunction in the heater.

To use the feature, wait at least 10 seconds once the heater has entered lock-out mode (steady RED light). Press and hold the reset button for more than 3 seconds or until a yellow light pulses to inform you the operation is completed. Release the button and a red light will pulse a number of times to identify the malfunction that occurred. Refer to the troubleshooting section for further information.

- DO NOT leave the heater in diagnostic mode

once diagnosis has been determined. The blower motor will restart after 90 seconds and will remain ON until power is removed.

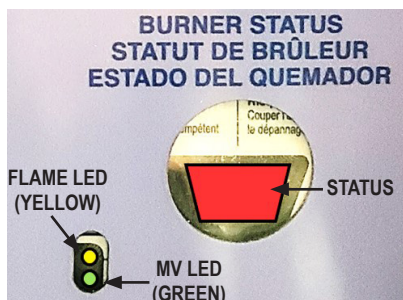
- The controller has only one ignition trial. If ignition is not achieved, the ignition burner control will enter "lock-out" mode.
- It is normal for air to be trapped in gas hose on new installations. The heater may require several trials for ignition before air is finally purged from line and ignition takes place.

CI230

The GeniSys control has 3 LED lights that will help provide status and diagnostic information. The three LEDs are Status, Flame, and MV (main valve). The LEDs uses 4 modes; On, Off, Slow Flash, or Fast Flash.

- Flame (yellow) = flame sense or flame strength.
- MV (green) = gas valve On/Off
- Status/Reset (red) =Normal/Lockout

During Lockout, the red status LED on the GeniSys will flash 3 times per second. To reset the GeniSys control, push and release the status LED.



Shut-Down Instructions

If the heater is to be shut down for cleaning, maintenance, or repair, follow steps 1-6. Otherwise, simply adjust thermostat to "Off" or "No Heat" or T stat switch for thermostat only for standard shut-down.

1. Close the gas supply valve located on the gas supply container / sources.
2. Allow the heater to burn off any fuel gas remaining in the gas supply line.
3. Set the thermostat to "Off" or the selector switch to the midpoint position O.
4. Allow the heater to perform its post purge (cool

down) mode.

5. Disconnect the heater from its gas and electrical supplies. (DO NOT DISCONNECT THE ELECTRICAL SUPPLY UNTIL THE BLOWER FAN MOTOR HAS CYCLED OFF FROM COOLING THE HEAT EXCHANGER)

Note: When either the thermostat cycles the heater off or the selector switch is in the OFF position, the main fan motor will continue to operate. This is the cool down post purge of the heat exchanger. During this process the LED flashes after 90 seconds of post purge, the heater will shut-off.

Cleaning Instructions

WARNING

Fire, Burn, and Explosion Hazard

- This heater contains electrical and mechanical components in the gas management, and safety systems.
- Such components may become inoperative or fail due to dust, dirt, wear and aging.
- Periodic cleaning and inspection as well as proper maintenance are essential to avoid serious injury or property damage.

1. Before cleaning, shut off all gas supply valves and disconnect electrical supply.
2. The heater should have dirt or dust removed periodically:
 - a. Before each use give the heater a general cleaning using compressed air or a soft brush or dry rag on its case and internal components. At this time, dust off the motor case to prevent the motor from overheating.
 - b. At least once a year, give the heater a thorough cleaning. At this time, remove the fan and motor assembly and brush or blow off the fan blade assembly. Additionally, make sure the burner air inlet is free of dust accumulation.

WARNING

Fire, Burn, and Explosion Hazard

- Do not use a pressure washer, water, or liquid cleaning solution on any gas controls. Use of a pressure washer, water, or liquid cleaning solution on the control components can cause severe personal injury or property damage due to water and/or liquids:
- In electrical components and wires causing electrical shock or equipment failure.
- On gas control valves causing corrosion which can result in gas leaks and fire or explosion from the leak.

Clean all components of the heater with pressurized air, a dry brush, or a dry cloth.

Maintenance Instructions

BEFORE EACH USE:

- Check the area surrounding the heater to ensure it is clear and free of combustible materials, gasoline, and other flammable vapors and liquids.
- At the installation, ensure the flow of combustion and ventilation air is not obstructed.
- Have your gas supplier check all gas connections for leaks or restrictions in gas lines.
- Inspect the regulator vent to make sure the regulator vent is not blocked. Debris, insects, insect nests, snow, or ice on a regulator can block vents and cause excess pressure at the heater.
- Check all wiring associated terminals and electrical components within the heater for corrosion, frayed or cut insulation, tight connections, etc. Repair or replace as necessary.
- Review all heater markings (i.e. wiring diagram, warnings, start-up, shut-down, troubleshooting, etc.) at the time of maintenance for legibility. Make sure none are cut, torn, or otherwise damaged. Any damaged markings must be replaced immediately by contacting the L.B. White Co., LLC. Data plate, startup and shut-down instructions and warnings are available at no cost. A nominal charge will be applied for wiring diagrams.
- Check the main fan drive belt. Make sure the belt is not cracked. If so, replace it. Additionally, ensure the belt is not slipping, belt tension is proper and pulleys are properly aligned and not worn.
- Check air gate adjustment.

ANNUALLY

- Clean and check the igniter and flame sensor for cracks.
- Test the high limit heat switches to ensure proper function. (See instructions for same in the Servicing section of this manual)
- Regulators can wear out and function improperly. Have your gas supplier check the date codes on all regulators installed and check delivery pressures to the heater to make sure that the regulator is reliable.

Service Instructions

WARNING

Burn Hazard

- Heater surfaces are hot for a period of time after the heater has been shut down.
- Allow the heater to cool before performing service, maintenance, or cleaning.
- Failure to follow this warning will result in burns causing injury.

WARNING

Fire and Explosion Hazard

- Do not disassemble or attempt to repair any heater components or gas train components.
- All component parts must be replaced if defects are found.
- Failure to follow this warning will result in fire or explosions, causing property damage, injury, or death.

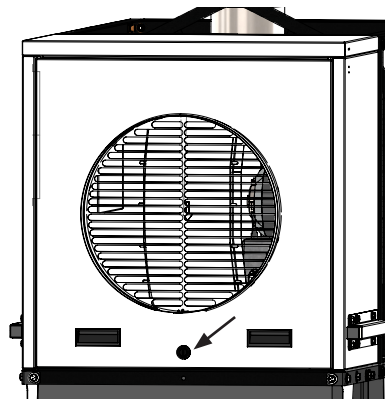
1. Close the fuel supply valve to the heater and disconnect the electrical supply before servicing unless necessary for your service procedure.
2. Clean the heater's orifice with compressed air or a soft, dry rag. Do not use files, drills, broaches, etc. to clean the orifice hole. Doing so will enlarge the hole, causing combustion or ignition problems. Replace the orifice if it cannot be cleaned properly.
3. The high limit switches, HEAT/VENT switch, and thermostat can be tested by disconnecting the leads at the component, and jumpering the leads together:
 - Reconnect the electrical supply and open fuel supply valves.
 - If the heater lights, the component is defective and must be replaced.
 - Do not leave the jumper on or operate the heater if the part is defective. Replace the part immediately.
 - An alternate method for checking the components is to perform a continuity check.

4. Servicing the differential air pressure switch:
 - The differential pressure switch is non-adjustable. If the switch does not make the circuit after inspection of tubes and orifices, it must be replaced.
5. Open or remove the respective case panel for access to fan related components.
6. For reassembly, reverse the respective service procedure. Ensure gas connections are tightened securely.
7. After servicing, start the heater to ensure proper operation and check for gas leaks.
8. A replacement fan key can be made by using 3/16 square x 1 in. bar stock.

Drive Components

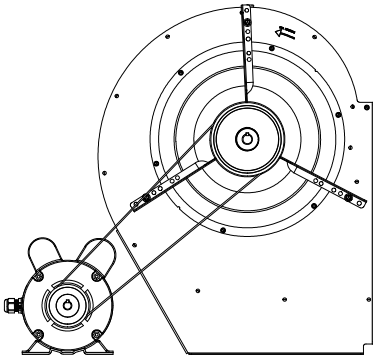
Accessing to the blower motor, fan drive components, and electrical control.

- Remove rear panel by unlatching (CCW) the lock and pulling the panel out.
- Unlatch the top panel from within the heater and pull the panel toward the rear to unlock the tab.
- Remove the top panel.



CI500 / CI750

Belt Replacement

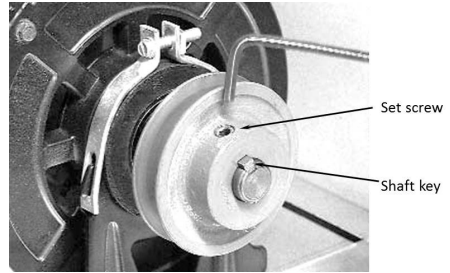


1. Carefully remove belt from pulley.
2. Check the fan and motor pulley grooves for dirt, clean the pulleys if needed.
3. Install new belt. Ensure belt is installed as shown below. See directional arrow on belt.



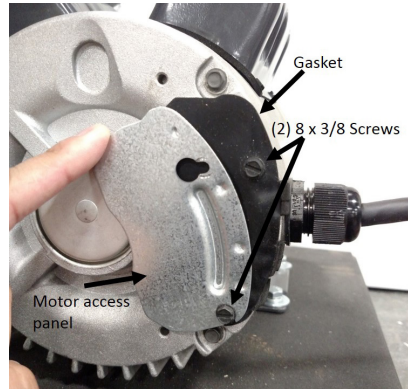
Fan and Motor Pulleys

1. Remove belt from pulleys. See Belt Replacement.
2. Loosen allen screw on fan and motor pulleys.
3. Remove pulley and key from fan shaft and motor.
4. When installing new pulley, use a straight edge, check motor and fan pulley alignment. Contact must be made at edges of both pulleys.

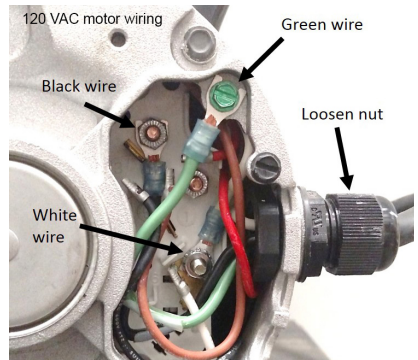


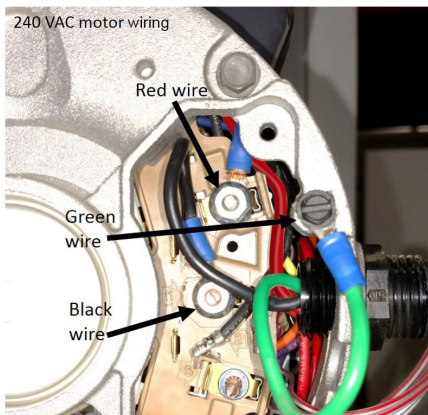
Fan Motor

1. Loosen electrical supply access panel screws on motor
2. Remove access panel and gasket



3. Disconnect power supply wire.

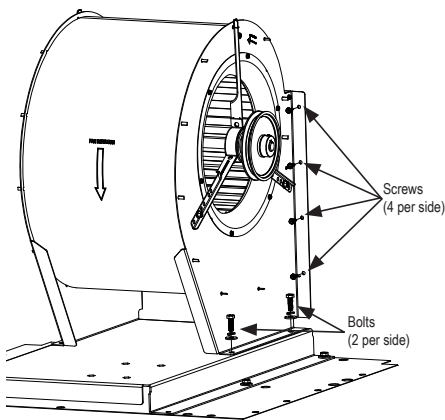




4. Removed the four bolts using a 1/2 inch open ended wrench.
- Ensure motor and fan pulleys are properly aligned when reinstalling.
 - Motor bearings are permanently lubricated.

Fan Housing Removal

1. Remove fan belt. See belt replacement procedure.
2. Remove fan motor. See fan motor section.
3. Locate and remove the four bolts at the base of the fan housing. See below.
4. Locate and remove the eight sheet metal screws. See drawing below.
5. Pull fan wheel housing out.



Fan Wheel Replacement

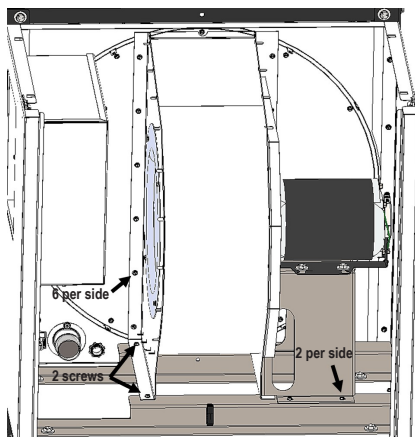
1. Remove the fan belt. See Belt Replacement Procedures.
2. Remove the fan shaft pulley. See Fan and Motor Pulleys Procedures.
3. Loosen all allen set screws on the fan shaft, including the set screw on the fan wheel hub.
4. Pull the fan shaft through the fan wheel and bearing mount brackets.
5. Lower the fan wheel to get access to the bearing mount bracket nuts behind the fan housing side.
6. Remove fan housing ring screws.
7. Remove fan wheel.

NOTE: When installing new fan wheel, ensure the fan wheel hub is on the same side as the motor pulley.

CI230

Fan Housing and Motor Assembly

1. Disconnect the motor wiring from the control board.
2. Remove all screws securing the fan housing to the heat exchanger and the housing mounting bars.

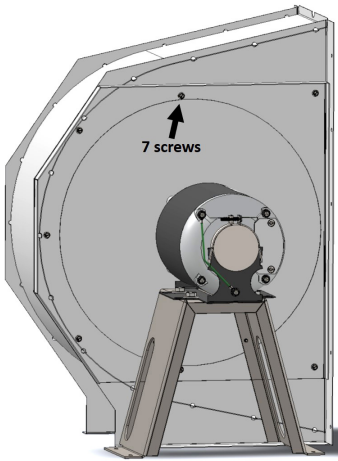


3. Remove the fan housing/motor assembly.

Motor / Fan Wheel Assembly Removal

Fan Wheel

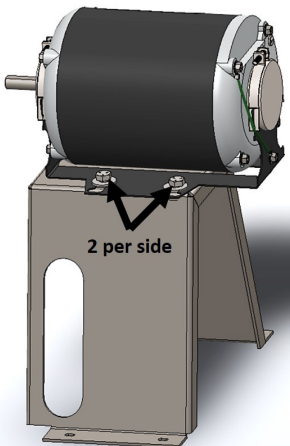
1. Remove all screws securing the motor mount plate.



2. Remove the motor/fan wheel assembly from the fan housing.
3. Loosen the two 3/16 Allen key securing the fan wheel to the motor shaft.
4. Remove the fan wheel.

Motor

1. Follow fan wheel removal procedure.
2. Remove the four hex head bolt securing the motor to the motor bracket.

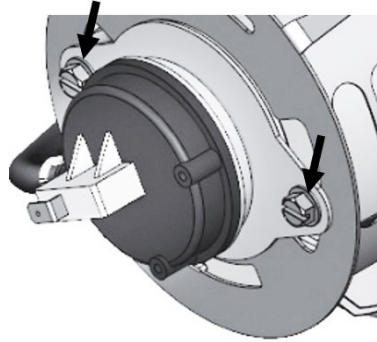


3. Remove motor.

Burner Components (CI230)

Air Pressure Switch

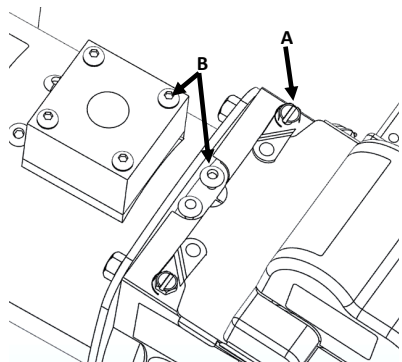
1. Disconnect the two wires from the air pressure switch.
2. Disconnect the rubber hose from the air pressure switch.
3. Remove the two screws securing the air pressure switch to the burner shutter.



Burner Orifice/Igniter/Flame Sensor

Burner Orifice Removal

1. Loosen and turn the two cover plate screws (A).
2. Lift the plate back to expose the igniter cable and flame rod wire.
3. Remove the six 1/8 in. allen head screws (B).
4. Remove the gas gun assembly from within the burner head tube.



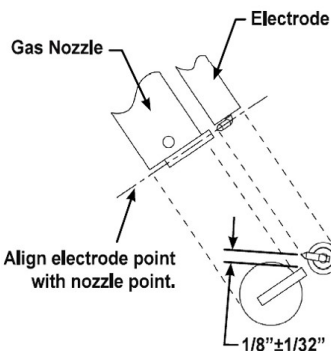
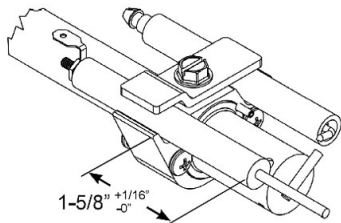
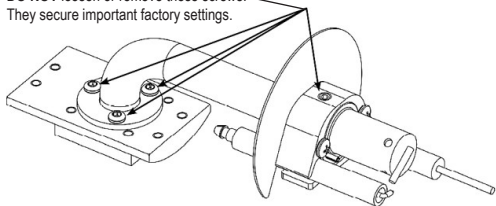
Flame Rod/Ignition Electrode Position



WARNING

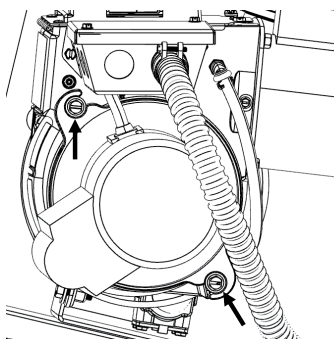
Fire and Explosion Hazard

DO NOT loosen or remove these screws. They secure important factory settings.

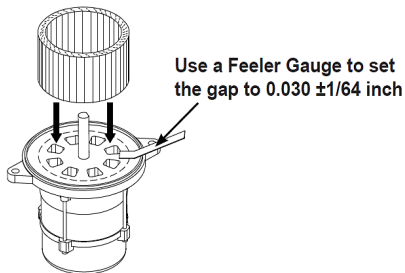


Burner Motor/Fan Wheel

1. Disconnect the motor leads inside the junction box and feed the leads out.
2. Loosen the two bolts securing the burner motor to the burner housing.



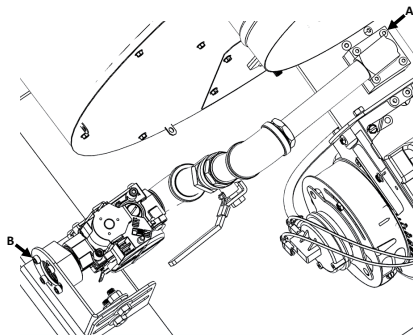
3. Rotate the burner motor CCW and remove the burner motor/fan wheel assembly.
4. Using a 1/8 in. allen, remove the fan wheel from the burner motor's shaft.
5. Referred to the illustration below when gapping the new burner fan wheel to the burner motor.



6. Tighten the set screw to secure the wheel.

Gas Control

1. Remove the four 1/8 in. allen head screws (A).
2. Remove the the four 5/32 allen head screws (B).
3. Remove the gas train assembly.



Burner Components (CI500 / CI750)

Servicing any burner related components requires the removal of the burner chassis. This is accomplished by loosening the burner chassis screws and pulling the burner chassis cover toward you.



Tools required:

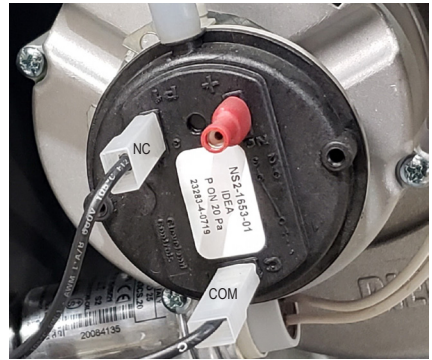
13 mm socket
13/16 socket
6mm or 7/32 allen key
T25 Torque driver
H5 hex driver
4mm allen key
Phillip screwdriver
Standard screwdriver

Air Pressure Switch

1. Locate the air pressure switch.

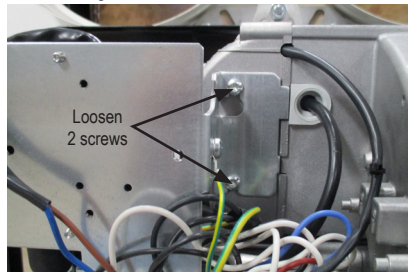


2. Disconnect terminals from air pressure switch.
3. Remove tube from air pressure switch, make note it is attached to the positive (+) barb of the switch.



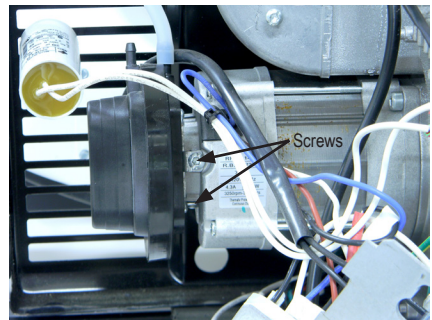
4. Inspect tube for cracks or splits, replace if necessary.

5. Locate and loosen the mounting torque screws for Ignition transformer bracket.



6. Remove Ignition transformer bracket from burner chassis.

7. Locate and loosen the two torque screws of air pressure switch.



8. To reinstall new switch, reverse the procedure.

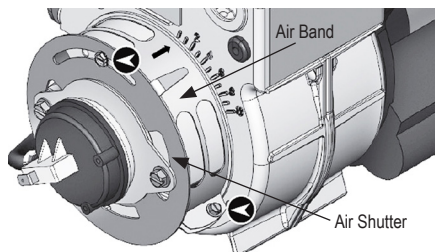
Burner Orifice/Igniter/Flame sensor

1. Remove lock nut.

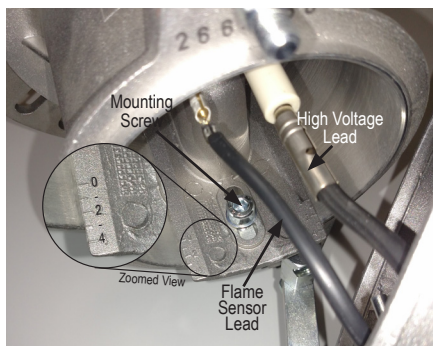


2. Pull the burner chassis out.
3. Disconnect the igniter cable from the igniter.
4. Disconnect the flame sensor cable from the flame sensor.
5. For Foreman 500/750, note the burner position. See burner position table below for proper setting. Foreman 500 position shown below.

Model	Burner Position	Air Gate/ Shutter Position	Air Band Position
CI230	N/A	10.0	3.0
CI500	3.0	4.0	N/A
CI750	5.0	6.5	N/A

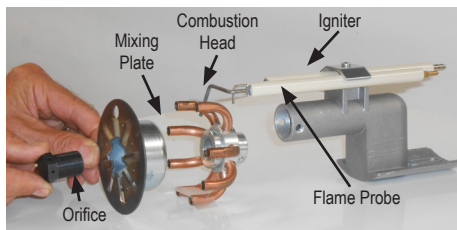


= Tighten locking screws securely after adjustments have been made
 *See air shutter/air band table for proper position



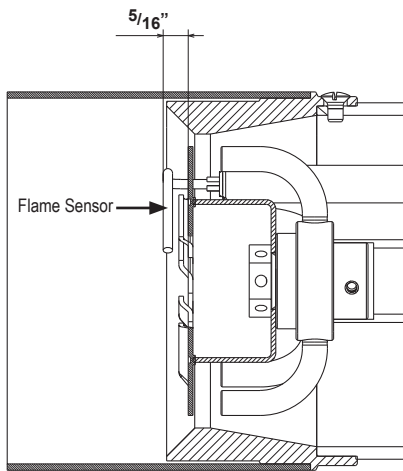
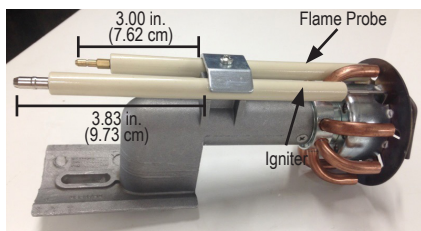
Burner Orifice Removal

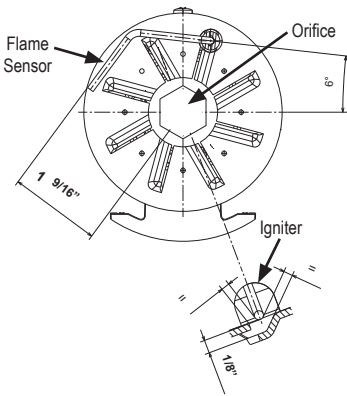
1. Remove burner orifice by using the 13/16 socket
2. Make note of washer behind orifice when reinstalling new orifice. Washer must be installed.



Igniter and Flame Sensor Removal

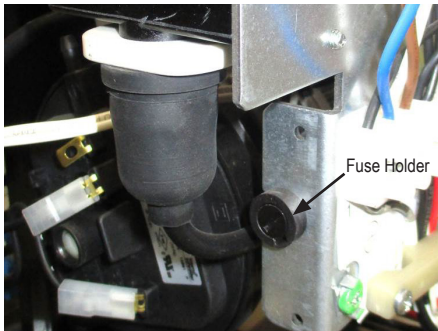
1. Remove the igniter and flame sensor clamp screw.
2. Position new igniter to measure 3.83 in. (9.73 cm) from clamp to the end of the terminal connection.
3. Flame sensor should measure 3 in. (7.62 cm) from clamp to the end of the terminal connection.





Fuse

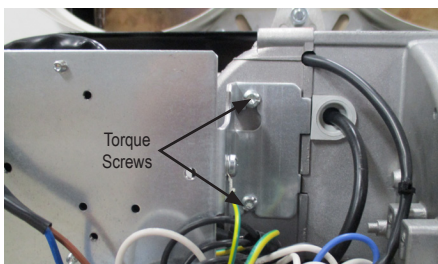
1. Locate the fuse holder on the side of the ignition transformer bracket.



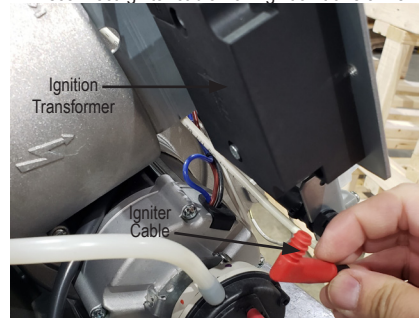
2. Remove the fuse holder with the standard screwdriver, turning counter-clock wise
3. Replace fuse if necessary (6.25a/250V)

Ignition Transformer

1. Disconnect ignition transformer wires at terminals #2 & #3 on the terminal block.
2. Loosen mounting torque screws for Ignition transformer bracket.



3. Slide Ignition transformer bracket up and out.
4. Disconnect igniter cable from ignition transformer.

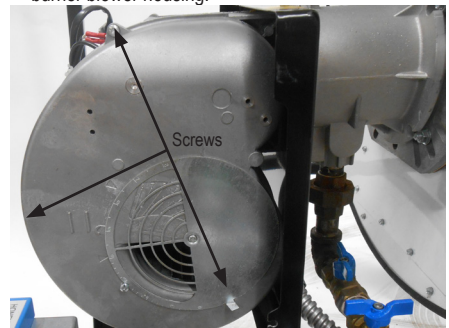


5. Remove ignition transformer mounting screws

Burner Motor and Fan Wheel

Burner Fan Wheel Removal

1. Locate and remove three T25 torque screws on burner blower housing.



2. Pull burner blower housing out to expose fan wheel.
3. Loosen the allen screw (4mm) and remove fan wheel
4. Inspect fan wheel, clean or replace if necessary.

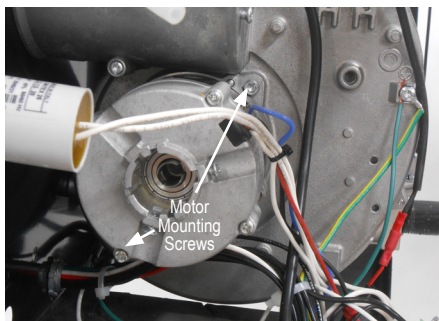
Burner Motor Removal

1. Remove fan wheel, see Fan Wheel Removal procedure.
2. Remove Air Pressure Switch, see Air Pressure Switch removal procedure
3. Disconnect motor leads from terminal strip

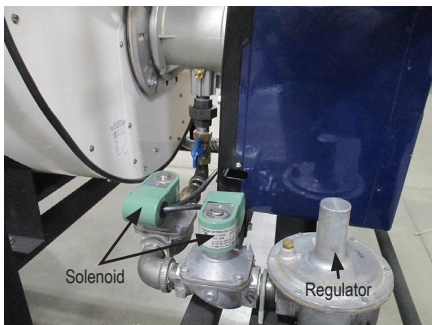
Motor Lead:

White: #8 Black: #10
 Red: #9 Blue: #11

4. Locate and remove two H5 hex head screws.



5. Remove motor.



Disconnect solenoid wires from burner terminal block #12 and #11.

High Limit Switches

⚠ WARNING

Fire Hazard

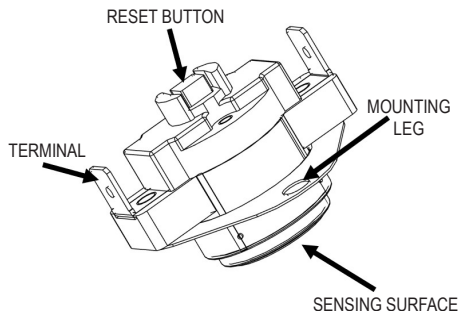
- Do not operate the heater with either of the high limit switches bypassed.
- Operating the heater with a bypassed high limit switch may lead to overheating, possibly resulting in a fire, with subsequent damage to the heater or property damage.

This heater is equipped with two limit switches. One is manual reset; the other is an auto-reset. The switches are located on the side of the heater as shown.



Both high limit switches should be tested a minimum of once per year when the heater is given a thorough cleaning.

1. Remove the high limit switch.
2. Apply a small flame only to the sensing portion on the back of the switch.



Be careful not to melt the plastic housing of the switch when conducting this test.

3. Within a minute, you should hear a soft click, indicating the contacts of the switch have opened.
4. **MANUAL RESET SWITCH:** Allow the switch to cool for about a minute before firmly pressing its reset button. **AUTO RESET SWITCH:** Allow the switch to cool for about a minute. No need to reset.
5. Check for electrical continuity across the switch terminals to make sure the contacts have closed.

Gas Pressure Checks

WARNING

- Do not disassemble the regulator, or the solenoid valve.
- Do not attempt to replace any internal components of the regulator or solenoid.
- These components must be replaced if any physical damage occurs to the gas terrain assembly.
- Failure to follow this warning will result in fire or explosions, leading to injury or death to humans, and property damage.

ATTENTION:

- The following explains a typical procedure to be followed in checking gas pressures.
- The gas pressures will vary depending upon fuel type.
- Consult the data plate on the heater or page 5 in this manual for specific pressures to be used in conjunction with this procedure.
- Gas pressure measured at the inlet to the regulator is Inlet Pressure and gas pressure measured at the neck of the combustion head is Burner Manifold Pressure.

MATERIALS REQUIRED

Quantity	Description
2	Gas pressure gauges capable of reading up to 35 in. w.c./8.7 kPa. (may be ordered from L.B. White, part #550-00764)
1	#4 standard screwdriver

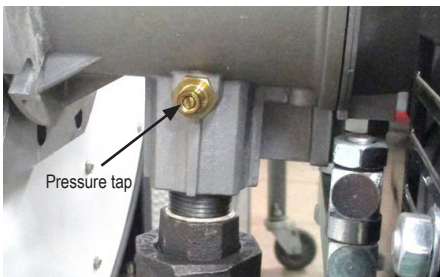
A. Preparation

- Brush or blow off any dust or dirt in the vicinity of the combustion head and regulator.
- Close the fuel supply valves and disconnect the heater electrical supply.

B. Gauge Installation

CI500 / CI750

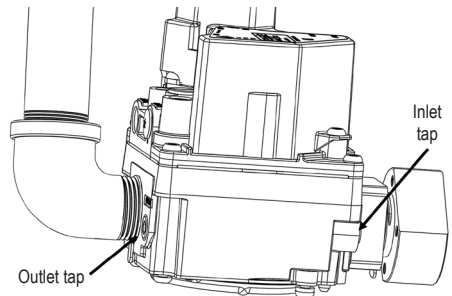
1. Locate the pressure tap on the combustion head.



2. Loosen the slotted screw inside the pressure tap.
3. Continue to bullet #6.

CI230

4. Locate the pressure tap on the gas control valve.



5. Remove the allen plug and install a 1/8 NPT barb.
6. Securely connect a pressure gauge to the barb.
7. Open the fuel supply valves and reconnect the heater electrical supply.
8. Start the heater.

C. Reading Pressures

1. With the heater operating, the pressure gauges should read the burner manifold pressures specified on the data plate.
2. If so, then no further checking or adjustment is required. Proceed to section D.
3. If the burner manifold pressures do not agree with that specified on the data plate, then the regulator controlling gas pressure to the heater requires adjustment.

D. Completion

1. Once the proper inlet and burner manifold pressures have been confirmed and/or properly set, close the fuel supply valve to the heater and allow the heater to burn off any gas remaining in the gas supply.
2. Disconnect the heater from its electrical supply and close fuel supply valve.
3. Remove the gauges.
4. Close the pressure tap screw by turning CW.
5. Open fuel supply valve and reconnect electrical supply to heater. Start the heater and check for gas leaks.
6. Set thermostat to desired temperature.

Troubleshooting Guide

READ THIS ENTIRE SECTION BEFORE BEGINNING TO TROUBLESHOOT PROBLEMS.

WARNING

- This heater can start at any time.
- Troubleshooting this system may require operating the unit with line voltage present and gas on.
- Use extreme caution when working on the heater.
- Failure to follow this warning may result in property damage, personal injury or death.

The following troubleshooting guide provides procedures for isolating equipment problems. This guide is intended for use by a QUALIFIED GAS HEATER SERVICE PERSON. DO NOT ATTEMPT TO SERVICE THESE HEATERS UNLESS YOU HAVE BEEN PROPERLY TRAINED.

TEST EQUIPMENT REQUIRED:

- Digital Multimeter - for measuring AC voltage and resistance
- Low Pressure Gauge - for checking inlet and outlet pressures at the gas control valve against dataplate rating

Before Starting:

- Visually inspect equipment for apparent damage.
- Check all wiring for loose connections and worn insulation.

Components should be replaced only after each step has been completed and replacement is suggested. Refer to the Servicing sections as necessary to obtain information on disassembly and replacement procedures of the component once the problem is identified. Refer to the system operation sequence in this section to gain an understanding as to how the equipment operates during a call for heat.

Understanding the sequence of operation of the ignition module and related components is essential as it will relate directly to problem solving provided by the charts.

OPERATION SEQUENCE:

- Line voltage is connected to the heater power receptacle.
- Line voltage is sent to:
 - Volt meter and it display the voltage supplied.
 - Selector switch terminal 2
 - Main motor relay terminal 2

- Heater control terminal "L1"
- Selector switch set to heat mode.
 - Line voltage sent to thermostat outlet.
- Thermostat calls for heat or Thermostat switch set to manual.
 - Thermostat selector switch sends voltage to terminal "W" of heater control.
 - Thermostat LED activated indicating a call for heat.
 - Line voltage is sent to burner control from "PSO" on heater control through limit switches.
 - Line voltage returned to "PSI" on heater control.
 - Burner control performs internal components test.
 - Line voltage is sent to burner motor.
 - Limit/Purge LED Flashes
- Pressure switch circuit activate.
 - CI230, circuit closes on positive pressure
 - CI500/CI750, circuit open on positive pressure
- Burner motor perform a 60 second pre-purge.
- Electrode and Gas Valve or Solenoids are energized.
 - Ignition occurs
- Limit/Purge LED stop flashing
- After a preset time delay, line voltage is sent from "IND" to the main motor relay terminal 0.
 - CI230, 15 seconds
 - CI500/CI750, 30 seconds
- Main motor relay closes, and the blower motor is energized.
 - Main motor LED comes ON
- Thermostat opens once heat demand is satisfied.
 - Thermostat LED OFF
 - Heater control shut off burner
- Blower motor continue to operate (post-purge).
 - 180 seconds (CI230)
 - 90 seconds (CI500 / CI750)
 - Limit/Purge LED Flashes
- After the post purge, the heater control de-energized the blower motor.
 - Limit LED OFF
 - Main motor LED OFF

CI500 / CI750 Blower Motor

PROBLEMS	CAUSE	SOLUTION
Belt Slips	Pulleys worn (Belts bottoming out in grooves)	Replace pulleys
	Oil or grease on belt	Clean pulleys or belt
Belt Breaks	Improper belt installation. Belt pried over pulleys using sharp or pointed tools.	Install new belt properly
Belt Jumps Sheave Grooves	Drive misaligned	Check and realign
	Dirt entering pulleys	Remove belt, clean the pulleys
Belt Cracking	Dirt or grease on belt or aged belt	Remove dirt or replace belt
Belt Wearing Rapidly	Worn pulleys	Replace pulleys
	Dirt in pulleys	Remove dirt

Status LED's - Heat Mode

PROBLEMS	SOLUTION
Volt meter, Thermostat, and High Limit LED are ON	Check both high limit switches. Reset or replace.
The volt meter and thermostat LEDs are ON, but the burner motor does not start	The air pressure switch is in the closed position (CI230).
	Defective burner motor or capacitor
	Burner wheel fan binding
Only the volt meter is ON	If a thermostat is connected, ensure the set point on the thermostat is above room temperature. If a thermostat is not connected, check the thermostat toggle switch is set to MANUAL.
Volt meter, Thermostat, and Main Motor LED are ON, but blower motor will not operate	Blower fan motor defective, replace motor
	Faulty heater controller
	Bad relay
	Fan wheel binding












CI230 DIAGNOSTICS

Quick Status Check with LEDs

Quick Status Check With LEDs

LED Key:

○ = Off ● = On ☀ = Flashing

Normal Modes	Diagnostic Modes
FLAME ○  MV ○ STATUS ○ No call for heat or no power to control	FLAME ☀  MV ● STATUS ○ Run Mode - weak flame signal
FLAME ○  MV ○ STATUS ○ Slow flash - (motor on) Pre-purge or Interpurge	FLAME ○  MV ○ STATUS ○ Fast Flash - (3 per second) Lockout No Retry
FLAME ○  MV ● STATUS ○ Trial for Ignition	FLAME ○  MV ○ STATUS ○ Slow Flash - (motor off) Lockout with Retry
FLAME ●  MV ● STATUS ○ Run Mode - strong flame signal	FLAME ☀  MV ○ STATUS ○ Flame out of Sequence
	FLAME ☀  MV ● STATUS ○ Control Failure - replace control
FLAME ○  MV ○ STATUS 	Only red Status LED is on steadily: - If motor is off = air pressure switch is stuck closed. - if the motor is running = waiting for the air pressure switch to close.

Flame Signal Strength

- Flame LED ON = strong flame current
- Flame LED Flashing = low flame current
- Flame LED OFF = no flame signal detected

Low or no flame signal


- Make sure all connections are clean and free of corrosion or build up.
- Check the continuity of the ground wire and the sense wire.
- The control, electrode, and the flame sensor must have a common ground with the burner for proper operation.
- Check the ceramic on the flame rod for and chips or cracks, replace if needed.

Reset from Lockout-No Retry

- Push and release the red Status/Reset button while the control is powered.

CI500 / CI750 DIAGNOSTICS

The burner controller features diagnostics which identify the cause of malfunction in the heater. To use the feature, wait at least 10 seconds after the heater stops operating. Press and hold the reset button for more than 3 seconds. A yellow light pulse will indicate to you the operation is completed. Release the button once the yellow light pulses. The control box will generate a sequence of pulses (1 second apart) to identify the malfunction that occurred. See page 33 for diagnostic pattern.

The controller will only provide the diagnostics when the selector switch is set to HEAT .

DO NOT leave the heater in diagnostic mode once diagnosis has been determined. The main motor will restart after 90 seconds and will remain ON until power is removed.

CI500 / CI750 Diagnostics

* Flash pattern observed during diagnostic mode (Hold Reset Button for more than 3 seconds).

PROBLEMS	CAUSE	SOLUTION
2 times	Solenoid did not open	Check for power to solenoid
		Defective solenoid
	Solenoid opens, but gas is not detected or ignited	Open all gas supply valves
		Supply proper gas pressure
		Air in gas supply. Purge the air
		Defective burner circuit board
	Ignition occurs, then goes out	Check flame sensor for cracks
		Check flame sense connection
		Check flame sensor location
		Ground fault issue, poor ground
		Improper electrical polarity
		Flame sensor touching metal
	Solenoid opens, gas is detected, no ignition.	Check igniter cable
		Check igniter gap
		Broken insulator on igniter
		Defective ignition transformer
		No power to ignition transformer

CI500 / CI750 Diagnostics (cont.)

PROBLEMS	CAUSE	SOLUTION
3 times	Burner fan operates then shuts off.	Check air pressure switch hose for tight connections or kinks
		Check pressure switch for proper electrical connections
		Pressure switch hose must be on positive (+) barb of switch
		Defective motor
		Burner head out of adjustment. Ensure burner head is properly adjusted to correct setting
	Burner ignited, but fails after several minutes	Poor electrical supply
		Low voltage
	Burner motor hums	Check capacitor connections
		Defective capacitor
		Defective motor
	Burner motor does not start AFTER 5 seconds	No power to air pressure switch
		Defective air pressure switch
		Vent pipe is blocked or down draft in vent pipe
		Incorrect wiring at motor
		Defective motor
		Pressure switch tube is blocked

CI500 / CI750 Diagnostics (cont.)

PROBLEMS	CAUSE	SOLUTION
7 times	Flame sense lost after ignition	Poor ground
		Improperly sized propane gas supply
10 times	Defective motor	Replace motor
	Defective burner controller	Replace burner controller
No flash	Burner does not start	Ensure proper power supply, check all breakers
		One of the high heat safety switches tripped
		Line fuse is blown or not connected
		Defective burner control
Light flashes alternately between red and yellow after start-up	Poor voltage supply to heater.	Ensure heater receives proper voltage.

* Disconnecting power to burner circuit board controller will not reset burner controller.

Ventilation Troubleshooting

Motor Does Not Run	Check for power to fan motor
	Bad motor relay
	Bad electrical connections
Motor "Hums," Does Not Run	Check for binding fan, or defective capacitor

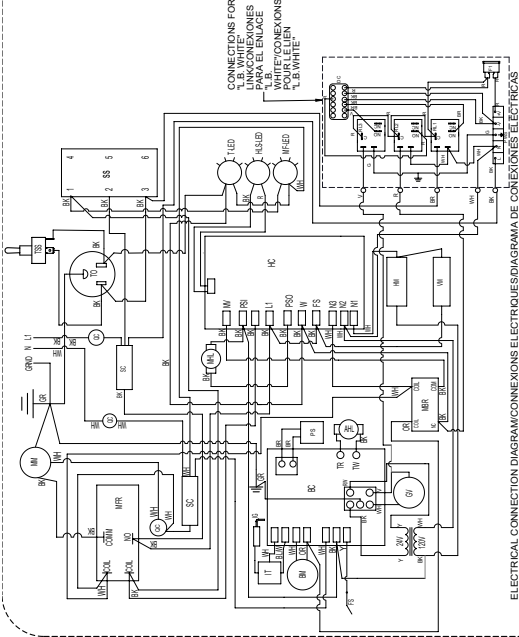
Electrical Connection / Ladder Diagram CI230

COMPONENT CODE KEY

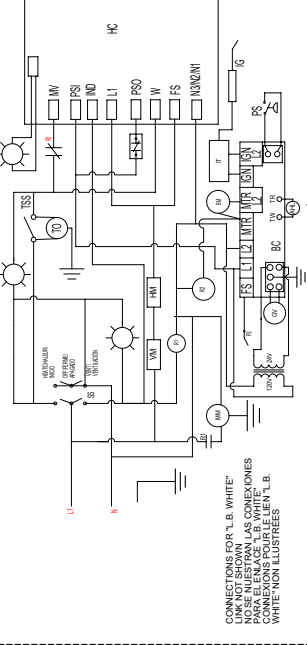
- AHL: Auto High Limit/Réinitialisation automatique/Rinicio automático
- BC: Burner Control/Contrôle du brûleur/Control del quemador
- BM: Burner motor/Moteur du brûleur/Motor del quemador
- DC: Deutsch Connector/Conector Deutsch/Conector Deutsch
- FI: Fuse 2A/Fusible 2A
- FS: Flame Sense/Sense de la flamme/Sentido de la llama
- GV: Gas Valve/Souppape de gaz/válvula de gas/válvula de gas
- HC: Heater Control/Contrôle de l'appareil de chauffage/Control del calentador
- HLS LED: High limit switch/LED de l'interupteur haute température/LED de interruptor de limite alto
- HM: Hour Meter/Compteur d'heures/Medidor de hora
- IG: Igniter/Allumeur/Encendedor
- IT: Ignition Transformer/Transformateur d'allumage/Transformador del encendedor
- MM: Main motor/ventilateur principal/abanco principal quemador
- MBR: Main burner relay/Relais du brûleur principal/Relé principe del quemador
- MF LED: Main fan LED/ventilateur principal LED/abanco principal LED
- MFR: Main fan relay/Relais du ventilateur principal/Relé del ventilador principal
- MHL: Manual High Limit/Réinitialisation manuelle/Rinicio manual
- PC: Power cord/Cordon d'alimentation/Cable de alimentación
- PS: Pressure switch/Pressostat/Presostato
- PWS: Power Supply/Source De Courant/Fuente De Alimentación
- QC: Quick connect/Raccord rapide/conexión rápida
- RL: "Relay" is Number/Relais, "es un nombre/Relé" es número
- SC: Splice connection/Capuchon de connexion/Conector de cable
- SS: Selector switch/Interrupteur du sélecteur/Interruptor selector
- T-LED: Thermostat LED/Thermostat La DEL/LED thermostat
- TO: Thermostat outlet/Sorte thermostat/salida del termostato
- TSS: Thermostat selector switch/Interrupteur de sélection du thermostat/Interruptor selector del termostato
- VM: Volt meter/Voltmètre/Voltmetro

WIRE COLOR CODE KEY

- BK: Black/Noir/ Negro
- BL: Blue/Bleu/ Azul
- BU/W: Blue White Stripe/Bleu Bande/ Raya Blanca Azul
- BR: Brown/Brun/ Marron
- BR/W: Brown White Stripe/Brun Bande/ Raya Blanca Marron
- OR: Orange/Orange/ Ojo
- R: Red/Rouge/ Rojo
- RMW: Red White Stripe/Rouge Bande/ Raya Blanca Roja
- V: Violet
- WH: White/Blanc/ Blanco
- Y: Yellow/Jaune/ Amarillo



ELECTRICAL CONNECTION DIAGRAM/CONEXIONES ELECTRICAS/DIAGRAMA DE CONEXIONES ELECTRICAS



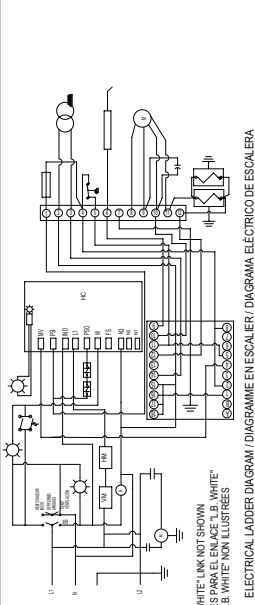
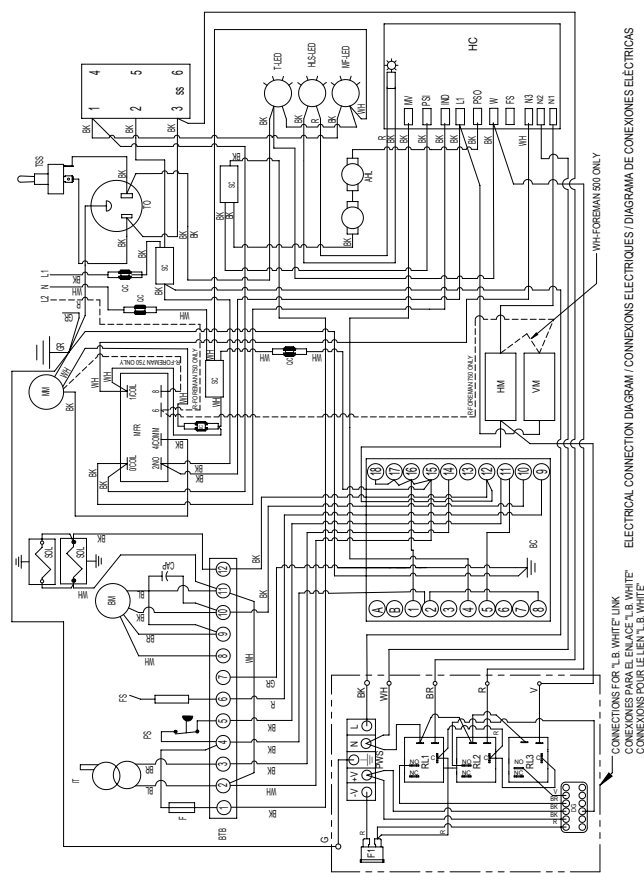
CONNECTIONS FOR "L.B. WHITE"
 NO SE MUESTRAN LAS CONEXIONES
 PARA EL MODELO "L.B. WHITE"
 CONNECTIONS FOR "L.B. WHITE"
 NOT SHOWN

ELECTRICAL LADDER DIAGRAM/EN ESCALERA/ DIAGRAMA ELECTRICO DE ESCALERA

IF ANY OF THE ORIGINAL WIRING IS SUPPLIED WITH THE HEATER, IT MUST BE REPLACED WITH WIRING MATERIAL HAVING A TEMPERATURE RATING OF AT LEAST 302°F (150°C).
 SI SE DEBE CAMBIAR CUALQUIER CABLE ORIGINAL PROPORCIONADO CON EL APARATO, SE DEBE CAMBIAR POR UN CABLE CUYA CLASIFICACION DE TEMPERATURA DE AL MENOS 302°F (150°C)
 SI SE DEBE CAMBIAR CUALQUIER CABLE ORIGINAL PROPORCIONADO CON EL APARATO, SE DEBE CAMBIAR POR UN CABLE CUYA CLASIFICACION DE TEMPERATURA DE AL MENOS 302°F (150°C)

Electrical Connection / Ladder Diagram CI500 / CI750

- COMPONENT CODE KEY**
- AHL: Auto High Limit/Inhalación automática/Inerco automático
 - BC: Burner Control/Contrôle du brûleur/Control de quemador
 - BM: Burner motor/Moteur du brûleur/Burner motor
 - BTB: Burner Terminal Block/Bornes du brûleur/Bloque de terminales del quemador
 - CAP: Capacitor/Condensateur/Condensador
 - DC: Deutsch Connector/Conector alemán/Conector alemán
 - DF: Deutsch Fuse 2A/Cable 2A
 - F1: Flame sensor/Détecteur de flammes/Sensor de flama
 - HC: Horizontal draftage/Control del calentador
 - HLS LED: High limit switch LED/DEL de límite alto
 - HM: Hour Meter/Contador de Horas
 - IT: Ignition transformer/Transformateur enrouleur/Encendedor
 - MM: Main motor/Ventilateur principal/Motor principal
 - MHL: Main fan motor/Ventilador manual/Remoto manual
 - MFR: Main fan relay/Relais du ventilateur principal
 - MF LED: Main fan LED/Ventilateur principal LED
 - PMS: Power Management System/Fuente De Alimentación
 - OC: Quick connect/Receptor de conexión rápida
 - SC: Solenoid/Conector de cable
 - SOL: Solenoid Solenoides/Solenoides
 - SS: Sensor/Sensor/Sensor
 - RL: Relay/Relay/Relay
 - T-LED: Thermostat LED/DEL de Termostato
 - TSS: Thermostat switch/Interruptor de Termostato
 - VM: Volt Meter/Voltímetro
 - WN: Wire Nut/Tuerca de alambre/Enroscador
 - ⊕: Earth Ground/Mesa a tierra/Conexión a tierra
- WIRE COLOR CODE KEY**
- BK: Black/Noir/Negro
 - BL: Blue/Azul
 - BR: Brown/Marrón
 - G: Green/Verde
 - O: Orange/Naranja
 - R: Red/Rojo/Rojo
 - W: White/Blanco
 - Y: Yellow/Amarillo



ELECTRICAL CONNECTION DIAGRAM / CONEXIONES ELECTRICAS / DIAGRAMA DE CONEXIONES ELECTRICAS

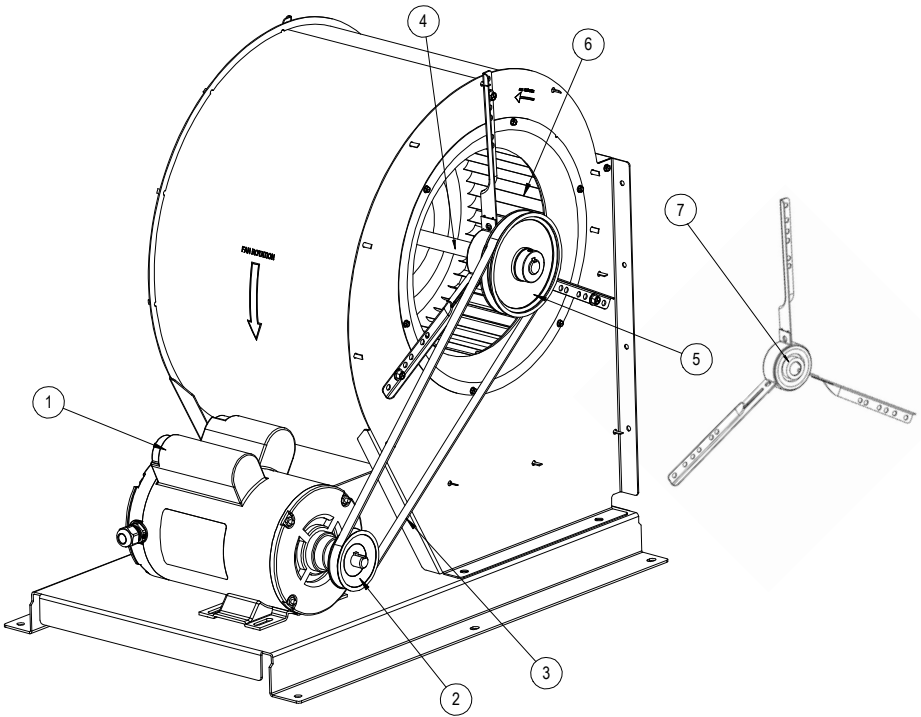
ELECTRICAL LADDER DIAGRAM / DIAGRAMA EN ESCALERA / DIAGRAMA ELECTRICO DE ESCALERA

CONNECTIONS FOR L.B. WHITE LINK
CONEXIONES PARA EL ENLACE "L.B. WHITE"
CONEXIONES POUR LE LIEN "L.B. WHITE"

CONNECTIONS FOR L.B. WHITE LINK
CONEXIONES PARA EL ENLACE "L.B. WHITE"
CONEXIONES POUR LE LIEN "L.B. WHITE"

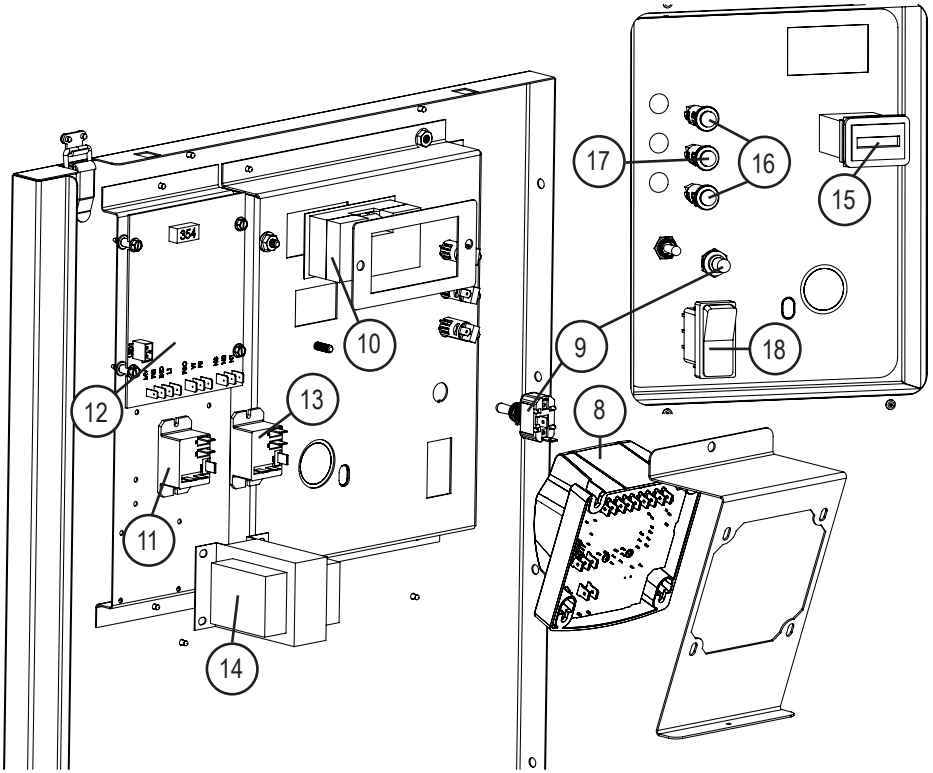
IF ANY OF THE ORIGINAL WIRING AS SUPPLIED WITH THE HEATER MUST BE REPLACED, IT MUST BE REPLACED WITH WIRING MATERIAL HAVING A TEMPERATURE RATING OF AT LEAST 302°F (150°C). NO SE MUESTRAN LAS CONEXIONES PARA EL ENLACE "L.B. WHITE". SI SE DEBE CAMBIAR CUALQUIER CABLE ORIGINAL PROPORCIONADO CON EL APARATO, SE DEBE CAMBIAR POR UN CABLE CON UNA CLASIFICACION DE TEMPERATURA DE AL MENOS 302°F (150°C).

Parts List - Blower Motor / Fan Wheel CI500 / CI750 Shown



Item	Description	CI230	CI500	CI750
1	Motor	574120	573565	573686
2	Pulley, Motor	--	573569	573683
3	Belt	--	573552	574164
4	Shaft, Fan Assembly	--	573572	
5	Pulley	--	573573	573684
6	Wheel, Fan	574123	573581	573694
7	Bearing, Rubber Cartridge	--	573696	

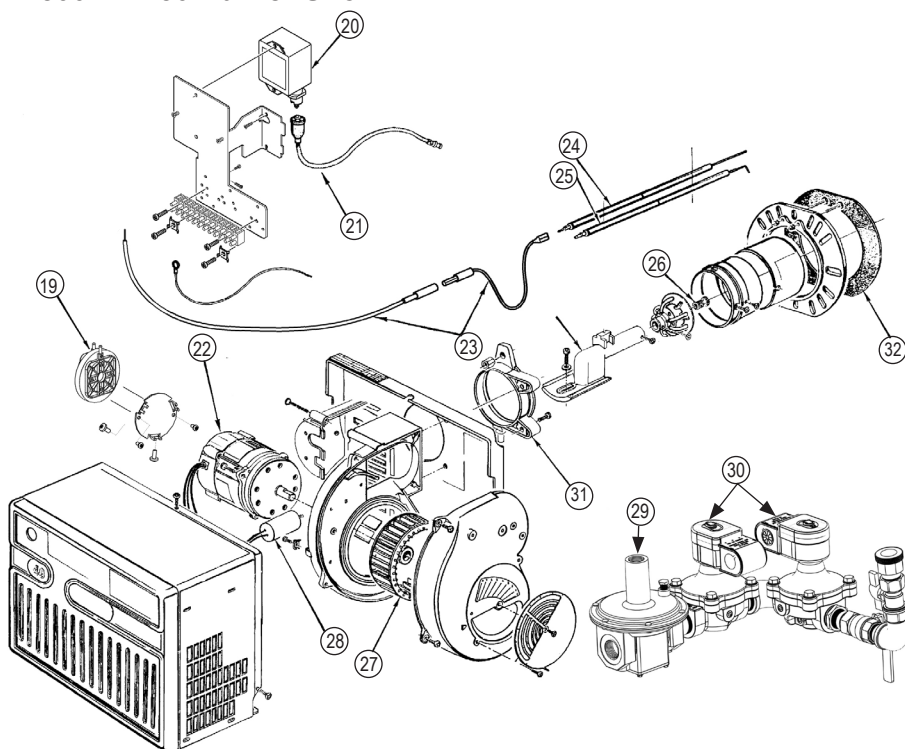
Parts List - Control Box



Item	Description	CI230	CI500	CI750
8	Control, Ignition, for Burner	574118		573554
9	Toggle, Switch with boot		571906	
10	Volt meter		573947	
11	Relay, MFR, 120VAC coil	574253		570221
12	Control, Main Fan Motor		573553	
13	Relay, MBR, 120VAC coil	574253		--
14	Transformer	574117		--
15	Hour Meter		574121	
16	LED, Snap in, Green, 120V		573770	
17	LED, Snap in, Red, 120V		573564	
18	Switch, Rocker, DPDT		574122	

Parts List - Burner Components

CI500 / CI750 Burner Shown



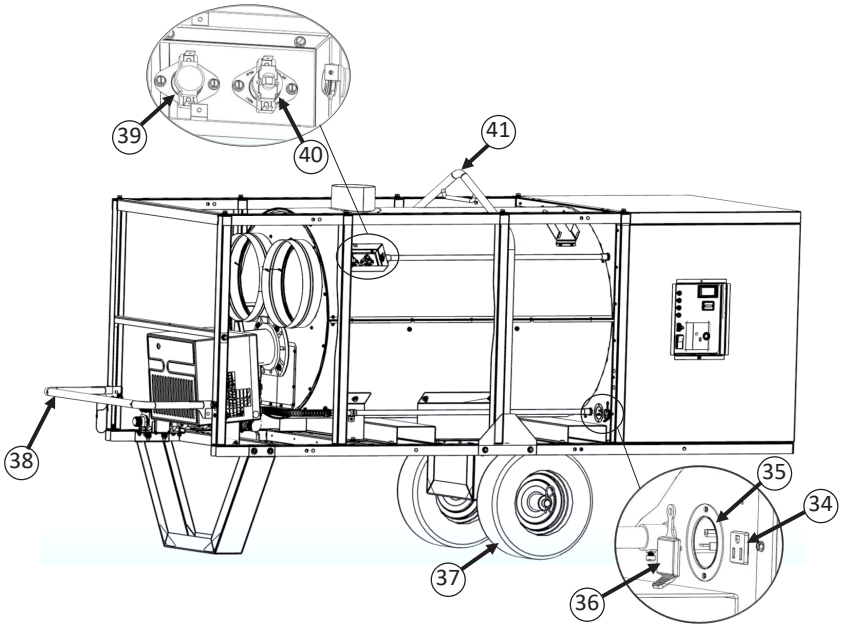
Item	Description	CI230	CI500	CI750
19	Switch, air pressure	574113		573574
20	Transformer, ignition	574112		573563
21	Cable, ignition	--		573555
22	Motor, burner	574110		573566
23	Cable, flame sensor	--		573583
24	Flame rod	574114		573571
25	Electrode	574115		573562
26	Orifice, burner	--	573567	573709
27	Wheel, fan	574111		573582
28	Capacitor, 20 μ F	--		573556
29	Regulator, 1" NPT	--		573578
30	Valve, Gas Control	574116		573579
31	Collar, Chassis Mounting, Riello	--		573672
32	Gasket, Fiber, Burner, Riello	--		573673
33*	Gasket, Burner Tube to Combustion Chamber		573776	

* Not Illustrated

Owner's Manual • Foreman

Parts List - Chassis Components

CI500 / CI750 Shown



Item	Description	CI230	CI500	CI750
34	Receptacle, NEMA, AC female, snap-in		573570	
35	Inlet, Flanged, Straight-Blade, NEMA	574125	574126	574127
36	Cover, Thermostat Outlet		574138	
37	Wheel	573991		573581
38	Handle, Lifting	574428		573560
39	Switch, limit, burner, auto reset, 190°		573575	
40	Switch, high limit, 250°F		571671	
41	Handle, lifting, bale	574139		573561
42*	Thermostat w/ 25 FT. cord*		500-30125	
43**	Panel, Rear	574129		574130
44**	Cover, high limit		574101	
45**	Cover, Gas Valve, Foreman 230	574277		NA

* Optional Accessories

** Not Illustrated

Manual Rev./Changes

Date	Rev.	Revision Change	Description
12/6/2021	B	No	Update burner head/band position per heater models
12/17/2021	B	No	Added 2nd stage NG regulator and hose table
9/27/2022	B	No	Added Installation NOTICE to cover page
10/11/2022	B	No	Changed handles to retractable style and added LINK information
1/3/2023	B	No	Rotated the Foreman 230 lifting handles from rear to front
3/23/2023	B	No	Relay service numbers and CI230 wiring diagram updates
6/27/2023	B	No	Updated Heating Solutions to Climate Solutions
7/26/2023	B	No	Added Gas Valve cover for Foreman 230

Warranty Policy

HEATER

L.B. White Co., LLC warrants that the component parts of its heater are free from defects in material and workmanship, when properly installed, operated, and maintained in accordance with the Installation and Maintenance Instructions, safety guides and labels contained with each unit. If, within 24 months from the date of purchase by the end user, any component is found to be defective, L.B. White Co., LLC will at its option, repair or replace the defective part or heater, with a new part or heater, F.O.B., Onalaska, Wisconsin. Registering your product online with L.B.White will automatically qualify a unit and its component parts for warranty consideration. If a product has not been registered with L.B.White, a copy of the bill of sale will be required to establish warranty qualification. If neither is available, the warranty period will be 24 months from date of shipment from L. B. White.

PARTS

L.B. White Co., LLC warrants that replacement parts purchased from the company and used on the appropriate L. B. White equipment are free from defects both in material and workmanship for 12 months from the date of purchase by the end user. Warranty is automatic if a component is found defective within 12 months of the date code marked on the part. If the defect occurs more than 12 months later than the date code but within 12 months from the date of purchase by the end user, a copy of a bill of sale will be required to establish warranty qualification.

The warranty set forth above is the exclusive warranty provided by L.B. White, and all other warranties, including any implied warranties or merchantability or fitness for a particular purpose, are expressly disclaimed. In the event any implied warranty is not hereby effectively disclaimed due to operation of law,

such implied warranty is limited in duration to the duration of the applicable warranty stated above. The remedies set forth above are the sole and exclusive remedies available hereunder. L.B. White will not be liable for any incidental or consequential damages directly or indirectly related to the sale, handling or use of the equipment, and in any event L.B. White's liability in connection with the equipment, including for claims based on negligence or strict liability, is limited to the purchase price.

Some states do not allow limitations on how long an implied warranty lasts, so the above limitation may not apply to you. Some states do not allow the exclusion or limitation of incidental or consequential damages, so the above limitation or exclusion may not apply to you. This warranty gives you specific legal rights, and you may also have other rights which vary from state to state.

To register your product and ensure full warranty, go to http://www.lbwhite.com/customer_care_center/product-registration/. Please have the serial number(s) and model(s) handy for the products you are registering.

Service

Contact your local L.B. White dealer for replacement parts and service. You may also call the L.B. White Co., LLC at 1-800-345-7200, for assistance, or email us at customerservice@lbwhite.com.

Be sure that you have your heater model number and configuration number when calling.



**WORLD PROVIDER - INNOVATIVE
CLIMATE SOLUTIONS**

411 Mason Street, Onalaska, WI 54650
800-345-7200 • 608-783-5691
608-783-6115 (fax)

www.lbwhite.com



Foreman

Calefactor canalizado doble por combustible indirecto Foreman

CI230	230,000 Btuh / 67.4 kW
CI500	500,000 Btuh / 146.54 kW
CI750	750,000 Btuh / 219.8 kW

Recuperación de vapor de PL o gas natural

Para ver este manual en línea, visite www.lbwhite.com

Atención

Este calefactor ha sido probado y evaluado por OMNI Test Laboratories según los requisitos de la norma ANSI Z83.7-2017•CSA 2.14-2017 está clasificado y aprobado como calefactor para construcciones canalizable, a gas indirecto, de aire forzado, con aplicación para calefacción transitoria de edificios en construcción, bajo modificaciones o reparaciones.

CONTROLE CON SU AUTORIDAD LOCAL CONTRA INCENDIOS, SU PROVEEDOR DE GAS COMBUSTIBLE O L.B.WHITE COMPANY SI TIENE PREGUNTAS SOBRE LAS APLICACIONES.

www.lbwhite.com



¡Felicitaciones!

Acaba de comprar el mejor calefactor circulante disponible. Su nuevo calefactor L.B. White incorpora los beneficios del más experimentado fabricante de productos de calefacción con tecnología de avanzada. En L.B. White, le agradecemos la confianza depositada en nuestros productos y serán recibidos los comentarios y las sugerencias que pueda tener. Llámenos a nuestra línea gratuita al 1-800-345-7200.

AVISO

Las instrucciones de instalación aquí contenidas son las de L.B. White Co., LLC. sugirió recomendaciones y pautas para la instalación temporal o permanente de L.B. White Co. LLC. calentadores. Los requisitos de los códigos eléctricos y de seguridad locales, estatales y estatales reemplazan estas pautas.

CONSULTE LAS INSTRUCCIONES DE ARMADO EN EL INTERIOR

Consulte la información importante sobre elevación en la portada interna.



ESCANEE ESTE CÓDIGO

con su teléfono inteligente o visite <http://goo.gl/nvneR> para ver los videos de mantenimiento para calefactores L.B. White.*

* Necesita una aplicación como QR Droid para Android o para iPhone

ÍNDICE

Especificaciones.....	4
Información general y descripción general.....	5
Precauciones de seguridad.....	6
Instrucciones generales de instalación.....	11
L.B. White LINK Módulo.....	12
Regulador y manguera de gas.....	14
Instrucciones de puesta en marcha.....	17
Instrucciones de apagado.....	18
Instrucciones de limpieza y mantenimiento.....	19
Instrucciones de servicio.....	20
Resolución de problemas.....	30
Diagrama de cableado y escalera eléctrica.....	36
Lista de piezas.....	38
Política de garantía.....	42



ADVERTENCIA

Los productos se fabrican para operar a una eficiencia óptima a elevaciones de entre 0 y 2000 pies por encima del nivel del mar.

Si se opera a elevaciones mayores, el producto no funcionará correctamente y puede resultar inseguro.

Es posible que haya productos que aseguran una operación adecuada en elevaciones alternativas.

Si requiere un producto para altas elevaciones, no lo especificó al pedirlo o la caja en la que vino esta unidad no tiene una etiqueta adhesiva de designación de altitud alternativa, comuníquese con el servicio técnico.

**ADVERTENCIA GENERAL**

Si no se contemplan las precauciones e instrucciones suministradas con este calefactor, se puede provocar:

- La muerte
- Quemaduras o lesiones graves
- Daños o pérdidas materiales por incendio o explosión
- Asfixia debido a la falta de un adecuado suministro de aire o envenenamiento por monóxido de carbono
- Descarga eléctrica
 - Lea detenidamente este manual del usuario antes de instalar o de usar este calefactor.
 - Solo deben reparar o instalar este calefactor personas de mantenimiento con la capacitación adecuada.
 - Guarde este manual del usuario para consultar y usar en el futuro.
 - Los manuales del usuario y las etiquetas de repuesto están disponibles sin costo. Para recibir ayuda, contáctese con L.B. White al 800-345-7200.

**ADVERTENCIA**

- Deberá proveerse una presión de suministro de gas apropiada a la entrada del calefactor.
- Consulte la placa de datos para obtener información sobre la presión de suministro de gas adecuada.
- La presión de gas que supere la presión de entrada máxima especificada en la entrada del calefactor puede provocar incendios o explosiones.
- Los incendios o las explosiones pueden causar lesiones graves, la muerte o daños al edificio.
- La presión de gas por debajo de la presión de entrada mínima especificada en la entrada del calefactor puede ocasionar una combustión inadecuada.
- Una combustión inadecuada puede causar asfixia o envenenamiento por monóxido de carbono, y así ocasionar lesiones graves o la muerte.

**ADVERTENCIA****Peligro de incendio y explosión**

- Mantenga los combustibles sólidos a una distancia segura del calefactor.
- Los combustibles sólidos incluyen productos de madera o de papel, plumas de aves, paja, y polvo.
- No use el calefactor en espacios que contengan o puedan contener gases inflamables o combustibles volátiles o en suspensión en el aire.
- Los gases inflamables o combustibles volátiles o en suspensión en el aire incluyen gasolina, solventes, diluyente de pintura, partículas de polvo o sustancias químicas desconocidas.
- No seguir estas instrucciones puede provocar un incendio o una explosión.
- Los incendios o las explosiones pueden producir daños materiales, lesiones o la muerte.

**ADVERTENCIA****Peligro de incendio y explosión**

- No lo use en una casa o en vehículos recreativos.
- La instalación de este calefactor en una casa o en un vehículo recreativo puede resultar en un incendio o una explosión.
- Los incendios o explosiones pueden ocasionar daños materiales o la muerte.

PARA SU SEGURIDAD

No almacene ni use gasolina u otros vapores y líquidos inflamables cerca de este o de cualquier otro artefacto.

PARA SU SEGURIDAD

Si siente olor a gas:

1. Abra las ventanas.
2. No toque los interruptores eléctricos.
3. Apague toda llama al descubierto.
4. Llame inmediatamente a su proveedor de gas.

**ADVERTENCIA**

Cáncer y daño reproductivo.
Ver www.P65Warnings.ca.gov.

Especificaciones

		CI230		CI500		CI750	
Tipo de combustible		Recuperación de vapor de propano	Gas natural	Recuperación del vapor PL	Gas natural	Recuperación del vapor PL	Gas natural
Entrada máxima (Btu/h/kWh)		230,000 / 67.4		500,000 / 146.5		750,000 / 219.8	
Presión de suministro de gas de entrada aceptable en la entrada del calefactor para el propósito de ajuste de entrada (pulg. de columna de agua/kPa)		MÁX 13.5 / 3.36 MÍN 7.0 / 1.7		MÁX. 13.5 / 3.36 MÍN. 8.0 / 2.0			
Presión del colector del quemador (pulg. de columna de agua/kPa)		3.7 / 0.92	3.6 / 0.90	3.0 / 0.75	4.6 / 1.14	2.8 / 0.70	3.4 / 0.85
Consumo de combustible por hora		10.7 libras / 4.8 kg	230 pies ³ / 6.5 m ³	23 libras / 10.4 kg	500 pies ³ / 14.2 m ³	34.8 libras / 15.8 kg	750 pies ³ / 21.2 m ³
Características del motor		Cojinete de ruedas, 0.5 H.P. / 373 vatios, 1725 RPM		Cojinete de ruedas, 1.5 H.P. / 1,119 vatios, 1725 RPM		Cojinete de ruedas, 2 HP / 1,491 vatios, 1725 RPM	
Velocidad del ventilador (RPM)		1725		1000			
Suministro eléctrico (Voltios/HZ/fase)		120 / 60 / 1		120 / 60 / 1		240 / 60 / 1	
Amperaje	De inicio	32		35			
	Operación continua	9.0		14.8		12.0	
Dimensiones (pulgadas/cm) L x Anch. x Alt.		23.7 x 10.5 x 17.0 / 60.2 x 26.7 x 43.4		92.5 x 32 x 44.5 / 235 x 81.3 x 113			
Distancias seguras mínimas del calefactor a los materiales combustibles más cercanos (pies/ Metro)	Superior:	3.0 / 0.91					
	Laterales:	1.0 / 0.30					
	Trasera:	3.0 / 0.91					
	Salida del ventilador:	6.0 / 1.83					
	Tuberías de escape:	3.0 / 0.91					
Contenedor de suministro de combustible propano (pies/metro):	EE. UU.	6.0 / 1.83					
	Canadá	10.0 / 3.05					
Temperatura ambiente mínima a la que se puede usar el calefactor (° F/° C)		-20 / -29					
Peso neto (lbs. / kg)		307 / 139.5		655 / 297.1		670 / 303.9	

Información general

Este manual del usuario incluye los accesorios que se utilizan regularmente en este calefactor. Estos accesorios se deben pedir por separado.

Cuando llame para solicitar asistencia técnica, o para obtener cualquier otra información específica, **siempre** tenga disponible el número de modelo, el número de la configuración y el número de serie. Esta información se encuentra en la placa de datos.

Este manual le brindará instrucciones sobre el funcionamiento y el cuidado de su unidad. Pida a su instalador que revise con usted este manual para que usted pueda entender perfectamente el calefactor y su funcionamiento.

Póngase en contacto con su distribuidor de L.B. White local o con L.B. White Co., LLC para obtener ayuda, o si tiene preguntas sobre el uso del equipo o sobre su aplicación.

L.B. White Co., LLC tiene una política de mejoramiento continuo del producto. Se reserva el derecho de cambiar especificaciones y diseño sin previo aviso.

Resumen

El calefactor está equipado con un conjunto del quemador. El conjunto incluye un encendedor electrónico, válvulas de solenoide y cabezal del quemador con orificio. Cuando se enciende el calefactor, el encendedor produce chispas, con suministro de gas a través de los solenoides hacia el orificio del quemador. Se produce el encendido.

El quemador calienta el intercambiador de calor. Una vez transcurrido un plazo establecido, un controlador del ventilador arranca el motor del ventilador principal y sopla aire fresco sobre el intercambiador de calor. El aire fresco se calienta previamente al pasar sobre el intercambiador de calor y así se suministra aire caliente y seco al lugar que se desea calefaccionar.

Los derivados de combustión generados durante el proceso de calefacción se transfieren a través de un conducto de ventilación directamente al exterior, suministrando así solo aire limpio y seco al lugar calefaccionado.

Cuando se apaga el calefactor, las válvulas de solenoide se cierran interrumpiendo el suministro de gas al quemador. El controlador del ventilador sigue haciendo funcionar el motor del ventilador principal durante un período predeterminado para permitir que se enfríe el intercambiador de calor. Una vez transcurrido dicho plazo, el controlador del ventilador desconecta la energía al motor del ventilador, apagando así completamente ese motor.

Precauciones de seguridad



ADVERTENCIA

Peligro de asfixia

- No use este calentador para calefactar viviendas humanas.
- El uso de calentadores de combustión directa en el entorno de la construcción puede provocar la exposición a niveles de CO, CO₂ y NO₂ que se consideran peligrosos para la salud y potencialmente peligrosos para la vida.
- No lo utilice en áreas sin ventilación.
- Conozca los síntomas de intoxicación por CO y CO₂
 - Dolores de cabeza, picazón en los ojos.
 - Mareos, desorientación.
 - Dificultad para respirar, sensación de sofocamiento.
- Se debe proporcionar un intercambio de aire de ventilación adecuado (OSHA 29 CFR 1926.57) para soportar las combustiones y mantener una calidad de aire aceptable de acuerdo con OSHA 29 CFR parte 1926.154, ANSI A10.10 Requisitos de seguridad para dispositivos y equipos de calentamiento de espacio temporal y portátil utilizados en la industria de la construcción o los Códigos de Instalación de Gas Natural y Propano CSA B149.1.
 - Controle periódicamente los niveles de CO, CO₂ y NO₂ existentes en el sitio de construcción, como mínimo al inicio del turno y después de 4 horas.
 - Proporcione un intercambio de aire de ventilación, ya sea natural o mecánico, según sea necesario, para mantener una calidad de aire interior aceptable.

EE. UU.: promedio de 8 h ponderado en el tiempo
(OSHA 29 CFR 1926.55 App A)

Canadá promedio de 8 h ponderado en
en tiempo Directrices de seguridad
laboral BC de la OHS, parte 5.1 y Reg.
sobre sitios de trabajo de Ontario 833

CO 50 ppm
CO₂ 5000 ppm
NO₂

25 ppm
5000 ppm
3 ppm (Reg 833)

EE. UU.: Límite tope
(Límite de exposición a corto plazo = 15 minutos)

Canadá STEL (15 minutos, reg. 833/1 h
WSBC) Directrices de seguridad laboral
BC de la OHS, parte 5.1 y Reg. 833
sobre sitios de trabajo de Ontario

CO
CO₂
NO₂ 5 ppm

100 ppm
15 000 ppm (WSBC)
30 000 ppm (Reg. 833)
1.0 ppm
(WorkSafeBC)
5.0 ppm (Reg. 833)

- Asegúrese de que el flujo de combustión y el intercambio de aire de ventilación no se puedan obstruir.
- A medida que el edificio se "ajusta" durante las fases de construcción, es posible que se necesite aumentar la ventilación.

Olor a gas combustible

Al gas propano y al gas natural se les ha agregado odorantes artificiales específicamente para la detección de fugas de gas combustible.

Si se produce una fuga de gas, debería ser capaz de oler el gas combustible.

¡ESA ES LA SEÑAL PARA ACTUAR DE INMEDIATO!

- No haga nada que pueda encender el gas combustible. No mueva ningún interruptor eléctrico. No desenchufe ningún cable de corriente ni alargue. No encienda fósforos ni ninguna otra fuente de fuego. No use su teléfono.
- Haga que todos salgan del edificio y que se alejen del área inmediatamente.
- Cierre todas las válvulas de suministro de combustible.
- El gas propano es más pesado que el aire y podría depositarse en áreas bajas. Cuando usted tenga razón para sospechar que existe una fuga de gas propano, manténgase alejado de todas las áreas bajas.
- Use el teléfono de su vecino, y llame a su proveedor de gas combustible y a su departamento de bomberos. No vuelva a entrar al edificio o al área.
- Permanezca fuera del edificio y alejado del área hasta que la misma haya sido declarada segura por los bomberos y por su proveedor de gas combustible.
- FINALMENTE, deje que el técnico de mantenimiento experto en gas combustible y los bomberos revisen para identificar la pérdida de gas. Haga que ellos ventilen el edificio y el área antes de que usted vuelva a entrar. Técnicos de mantenimiento adecuadamente capacitados deben reparar la fuga, revisar para detectar otras fugas, y volver a encender el calefactor por usted.

El olor se disipa - No se detecta olor

- Algunas personas no pueden oler bien. Algunas personas no pueden percibir el olor del químico artificial agregado al gas propano o natural. Usted debe determinar si es capaz de sentir el odorante que se agrega a estos gases combustibles.
- Aprenda a reconocer el olor del gas propano y del gas natural. Los vendedores locales de gas propano y su proveedor local de gas natural (empresa de servicio público) estarán más que contentos de proporcionarle un folleto del tipo "raspe y huelo". Úselo para familiarizarse con el olor del gas combustible.
- Fumar puede disminuir su capacidad para oler. Estar en contacto con un olor durante un cierto tiempo también podría afectar su sensibilidad a ese olor en particular.
- El odorante existente en el gas propano y el gas natural es incoloro y la intensidad de ese olor puede disiparse bajo algunas circunstancias.
- Si hay una fuga subterránea, el paso del gas a través del suelo puede filtrar el odorante.
- El olor del gas propano puede diferir en intensidad en distintos niveles. Dado que el gas propano es más pesado que el aire, podría haber más olor en niveles más bajos.
- Siempre tome en serio la más mínima presencia de olor a gas. Si aún detecta algún tipo de olor a gas, no importa lo poco que sea, trátelo como si fuera una fuga seria. Actúe de inmediato tal como se explicó anteriormente.

¡Atención - Puntos importantes para recordar!

- El gas propano y el gas natural tienen un olor característico. Aprenda a reconocer estos olores. (Consulte las secciones: "Olor a gas combustible" y "El olor se disipa").
- Si usted no ha sido capacitado apropiadamente en la reparación y el mantenimiento de calefactores que emplean gas propano y gas natural, entonces no intente encender el calefactor, realizar mantenimiento o reparaciones, o hacer ajustes al sistema de combustible del calefactor a gas propano o a gas natural.
- Aunque usted no esté adecuadamente capacitado para el mantenimiento y la reparación de calefactores, SIEMPRE esté bien consciente del olor del gas propano y del gas natural.
- Una prueba periódica de detección activa alrededor del calefactor o en las juntas de este, es decir manguera, conexiones, etc., es una buena práctica de seguridad en todas las condiciones. Si huele aunque sea una cantidad muy pequeña de gas, LLAME INMEDIATAMENTE A SU PROVEEDOR DE GAS COMBUSTIBLE. ¡NO ESPERE!

REQUISITOS PARA REALIZAR MANTENIMIENTO E INSTALACIÓN:

1. No intente instalar, reparar o arreglar este calefactor o la línea de suministro de gas a menos que cuente con una capacitación continua por expertos y conocimientos sobre calefactores a gas.

Los requisitos para realizar el mantenimiento y la instalación son los siguientes:

- a. Para ser una persona calificada en mantenimiento de calefactores a gas, debe contar con suficiente capacitación y experiencia para manejar todos los aspectos de la instalación, reparación y arreglo de la instalación del calefactor a gas. Esto incluye la tarea de instalación, resolución de problemas, reemplazo de piezas defectuosas y prueba del calefactor. Debe poder instalar el calefactor de manera que ofrezca un funcionamiento seguro y normal continuo. Debe familiarizarse completamente con cada modelo de calefactor mediante la lectura y el cumplimiento de instrucciones de seguridad, etiquetas, manual del usuario, etc. que se proveen con cada calefactor.
- b. Para ser una persona calificada para hacer instalaciones de gas, usted debe contar con suficiente capacitación y experiencia para manejar todos los aspectos de la instalación, reparación y modificación de líneas de gas, incluidas la selección e instalación del equipo apropiado, y la selección del tamaño adecuado de tubería y tanque que se utilizará. Esto debe realizarse conforme a los códigos locales, estatales y nacionales, además de los requisitos del fabricante.

- c. En el estado de Massachusetts, este producto debe instalarse por un instalador de gas autorizado en dicho estado.
2. Todas las instalaciones o aplicaciones de los calefactores de L.B. White deben cumplir con todos los códigos locales, estatales y nacionales. Incluidos los códigos de electricidad, de gas natural y gas PL, y de seguridad. Su proveedor local de gas combustible, un electricista local autorizado, el departamento de bomberos local u organismos gubernamentales similares, o su agente de seguros pueden ayudarlo a determinar cuáles son los requisitos de los códigos.

Instalaciones en los Estados Unidos:

– NFPA 102, Normas para asientos plegables y telescópicos, carpas y estructuras de membrana.

– ANSI A10.0, Requisitos de seguridad de la última edición para equipos y dispositivos de calefacción temporales y portátiles que se utilizan en la industria de la construcción.

– ANSI/NFPA 58, última edición, Norma para el almacenamiento y manipulación de gases licuados de petróleo y/o ANSI Z223.1/NFPA 54, Código nacional de gas combustible

– ANSI/NFPA 70, Código nacional de electricidad

Instalaciones en Canadá:

– CSA B149.1 Código de instalación de gas natural y propano

– CSA C22.1 Parte 1, Código de electricidad de Canadá estándar y CSA C22.2 No. 3, Características eléctricas de los equipos con quema de combustible.

3. No podemos anticipar todos los usos que se le pueden dar a nuestros calefactores. Controle con la autoridad local contra incendios si tiene preguntas sobre las aplicaciones.
4. No lave el interior del calefactor. Use solamente aire comprimido, un cepillo suave o un paño seco para limpiar el interior del calefactor y sus componentes.
5. Por motivos de seguridad, este calefactor está equipado con dos interruptores de límite superior que se pueden reponer y un conmutador de accionamiento neumático. Nunca haga funcionar el calefactor con algún dispositivo de seguridad desactivado. No haga funcionar el calefactor a menos que todas estas características estén en pleno funcionamiento.
6. No ubique contenedores de gas combustible ni mangueras de suministro de combustible dentro de un radio de 20 pies/6 metros de la salida del ventilador del calefactor.

7. No oriente el calefactor hacia un contenedor de gas propano dentro de un radio de 20 pies (6 m) de la descarga de aire del calefactor. Cuando hay conductos sujetos al calefactor, la descarga de aire caliente del calefactor es el extremo del conducto.
8. No bloquee las entradas de aire ni las válvulas de descarga del calefactor. Hacerlo podría ocasionar una combustión inadecuada o daños a los componentes del calefactor, lo que provocaría daños materiales.
9. Debe revisarse visualmente el conjunto de la manguera todos los días después de la reubicación del calefactor y cuando esté en uso. Si es evidente una abrasión o desgaste excesivo, o si la manguera está cortada, debe reemplazarse antes de que se ponga el calefactor a funcionar. El conjunto de la manguera debe protegerse de los materiales de construcción y del contacto con superficies calientes durante el uso. El conjunto de la manguera debe ser el que especifique el fabricante. Ver la lista de piezas.
10. Verifique la existencia de fugas de gas y el funcionamiento adecuado tras la instalación del calefactor, al reubicarlo y luego del mantenimiento. Consulte las instrucciones para la verificación de fugas en la sección sobre instalación del presente manual.
11. Este calefactor debe ser inspeccionado por una persona calificada en mantenimiento para determinar que su funcionamiento es correcto antes de cada uso y por lo menos con frecuencia anual.
12. Siempre apague el suministro de gas al calefactor si no se lo utilizará.
13. Este calentador está cableado con una conexión a tierra para brindarle protección contra los riesgos de descargas eléctricas y se debe conectar directamente a un suministro eléctrico debidamente conectado a tierra. Si no se utiliza una fuente de alimentación eléctrica debidamente conectada a tierra, se pueden producir descargas eléctricas, lesiones personales o la muerte.
14. Si se interrumpe el flujo de gas y se apaga la llama, no vuelva a encender el calefactor hasta estar seguro de que todo el gas que se pudo haber acumulado se haya ido. En cualquier caso, espere por lo menos 5 minutos para volver a encender el calefactor.
15. El calefactor requiere un tanque de 500 galones/1892 litros de propano como mínimo para obtener una presión de suministro de gas y un funcionamiento adecuados. Es posible que se requiera un tanque de mayor tamaño en función de las condiciones de la temperatura de funcionamiento en el lugar.
16. Cuando se desee guardar el calefactor en interiores, se debe desconectar la conexión entre el contenedor de suministro de gas propano y el calefactor. Se debe sacar el contenedor del calefactor y se lo debe almacenar de conformidad con la norma NFPA 54 Código nacional de gas combustible, Norma para el almacenamiento y la manipulación de gases licuados de petróleo, ANSI/NFPA 58 o CSA B149.1 Código de instalación de gas natural y propano.
17. Los contenedores de suministro de gas propano tienen roscas hacia la izquierda. Utilice siempre la llave correcta para realizar una conexión a fin de ajustar o aflojar el adaptador POL del conector flexible en la válvula de suministro de gas del contenedor.
18. El calefactor puede arrancar en cualquier momento cuando se lo utiliza con un termostato.

Sistema de seguridad

Control de altas temperaturas El calefactor cuenta con un interruptor de alta temperatura que está diseñado para apagar el calefactor si la temperatura interior llega a un nivel poco seguro. Se trata de un diseño de reposición manual.

Commutador de accionamiento neumático: Este componente garantiza que el motor del ventilador del quemador funcione a la velocidad adecuada a fin de garantizar un arranque seguro antes de que se produzca el encendido.

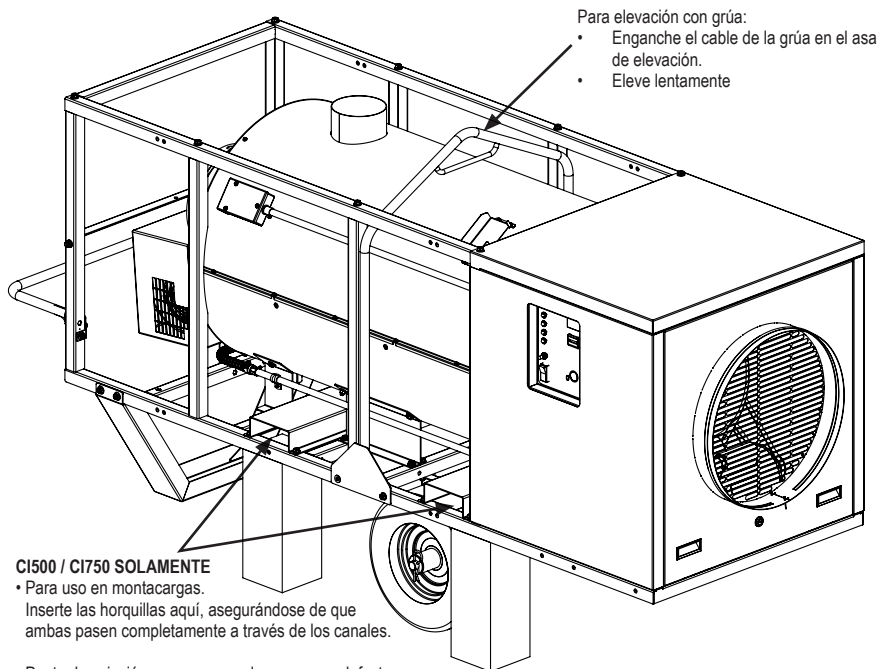
Sensor de llama: Se utiliza con el control de encendido y comprueba que la llama del quemador esté establecida y lo mantiene en funcionamiento mientras se requiera calor.

Traslado/Transporte del calefactor

ADVERTENCIA: NO transporte el calefactor CI230 en posición vertical.

Asegurar el calentador a un remolque o plataforma.

- CI230: coloque un bloque sólido debajo de cada lado del marco del calentador.
- CI500/750 - Coloque un bloque sólido debajo de cada canal de montacargas de cada lado del marco del calentador.
- Asegúrese de que el bloque sea lo suficientemente grande para evitar cualquier presión hacia abajo sobre las ruedas al sujetar el calentador al remolque.
- Asegure las correas al punto más bajo del marco del calentador.
- NO use la manija del calentador como un punto para asegurar el calentador al remolque.



Para elevación con grúa:

- Enganche el cable de la grúa en el asa de elevación.
- Eleve lentamente

CI500 / CI750 SOLAMENTE

- Para uso en montacargas. Inserte las horquillas aquí, asegurándose de que ambas pasen completamente a través de los canales.

- Punto de sujeción para asegurar las correas calefactoras al remolque para su transporte.

Instrucciones generales de instalación



ADVERTENCIA

Peligro de incendio y explosión

Puede causar daños materiales, lesiones graves o la muerte.

A fin de evitar la acumulación peligrosa de gas combustible, apague el suministro de gas en la válvula de servicio del calefactor antes de comenzar la instalación y lleve a cabo una prueba de fugas de gas después de realizada la instalación.

1. Lea todas las precauciones de seguridad y siga las recomendaciones de L.B. White cuando instale este calefactor. Si durante la instalación o la reubicación del calefactor sospecha que una pieza está dañada o defectuosa, llame a un taller de mantenimiento calificado para que la repare o reemplace.
2. Con un nivel, compruebe que el calefactor esté nivelado y correctamente ubicado antes de usarlo. Respete todas las distancias seguras mínimas del calefactor a los materiales combustibles más cercanos. Las distancias seguras se indican en la placa de datos del calefactor y en las especificaciones de la página 4 del presente manual.
3. Este calefactor se puede instalar en interiores o en exteriores. Para las instalaciones en interiores, se debe ventilar el calefactor hacia el exterior. Consulte la sección sobre la estructura interior de este manual.
4. El regulador de presión de gas del calefactor (con la válvula de descarga de presión) debe protegerse de las condiciones climáticas adversas (lluvia, hielo, nieve) como así también de los materiales de construcción (asfalto, hormigón, yeso, etc.) que podrían afectar el funcionamiento seguro y podrían producir daños materiales o lesiones.
5. Los calefactores que se utilicen cerca de lonas, telas, plásticos, barreras contra el viento o protecciones similares, deben ubicarse al menos a 10 pies/3,05 metros de dichas protecciones. Las protecciones se deben sujetar firmemente a fin de evitar que se prendan fuego o alteren el funcionamiento del calefactor por la acción del viento sobre la protección u otro material.
6. Requisitos de tamaño del cable de extensión
 - CI230
 - Hasta 50 pies (15 m), use 16 AWG
 - 50 pies a 100 pies, use 14 AWG
 - Más allá de los 100 pies, consulte a su electricista
 - CI500/CI750
 - Hasta 50 pies (15 m), use 12 AWG
 - Más allá de 50 pies, use 10 AWG
7. Verifique todas las conexiones en busca de fugas de gas mediante detectores de fugas de gas aprobados. La prueba de fugas de gas se realiza de la siguiente manera:



ADVERTENCIA

Peligro de incendio y explosión

- No utilice llama al descubierto (fósforos, sopletes, velas, etc.) para comprobar si hay fugas de gas.
- Use únicamente detectores de fugas de gas aprobados.
- No seguir esta advertencia puede provocar incendios o explosiones.
- Los incendios o las explosiones pueden producir daños materiales, lesiones o la muerte.

- Compruebe todas las conexiones de tuberías, conexiones de manguera, conectores y adaptadores contracorriente del control de gas con detectores de fugas de gas aprobados.
- En caso de que se detecte una fuga de gas, verifique el estado de limpieza de los componentes involucrados y la aplicación adecuada del compuesto de tubería antes de ajustar más.
- Ajuste las conexiones de gas según sea necesario para detener la fuga.
- Luego de verificar todas las conexiones y detener las fugas, encienda el quemador principal.
- Manténgase lejos mientras se enciende el quemador principal para evitar lesiones causadas por fugas escondidas que podrían provocar reignición.
- Con el quemador principal funcionando, verifique todas las conexiones, conexiones de mangueras, conectores y juntas además de la entrada de la válvula de control de gas y las conexiones de salida con detectores de fugas de gas aprobados.
- En caso de que se detecte una fuga de gas, verifique el estado de limpieza de las roscas de los componentes involucrados y la aplicación adecuada del compuesto de tubería antes de ajustar más.
- Ajuste la conexión de gas según sea necesario para detener la fuga.
- Si fuera necesario, reemplace las piezas o componentes pertinentes si no puede detenerse la fuga.
- Asegúrese de que todas las fugas sean identificadas y reparadas antes de proceder.

8. Luego de instalado el calefactor, un taller de mantenimiento calificado debe verificar que se opere con la presión de gas de funcionamiento adecuada.
9. Encienda según las instrucciones que se encuentran en el calefactor o en el manual del usuario.
10. Compruebe que el calefactor cuente con el regulador de gas adecuado para la aplicación. Se debe conectar un regulador al suministro de gas de modo que la presión de gas en la entrada a la válvula de gas esté regulada dentro del rango especificado en la placa de datos en todo momento. Comuníquese con su proveedor de gas o con L.B. White Co., LLC si tiene alguna pregunta.
11. Este calefactor incluye una válvula selectora de gas que permite el uso de gas PL o natural. Compruebe que la válvula selectora de gas esté en la posición correcta para el combustible que se utiliza.
12. Se debe instalar el calefactor de manera que no interrumpa ni obstruya las salidas normales, las salidas de emergencia, las puertas y las pasarelas.
13. Se deben usar rejas, vallas o materiales adecuados a fin de mantener el equipo de calefacción alejado de las personas que utilizan y visitan la estructura.
14. Se debe ubicar el calefactor de manera que el drenaje de lluvia, hielo o nieve de la estructura no afecte el funcionamiento del equipo. Si el calefactor se monta afuera, se lo debe montar por encima de cualquier acumulación de agua o agua estancada. Si se desea ubicar la unidad sobre el suelo, se recomienda usar una zanja circundante a fin de drenar la lluvia, el hielo o la nieve lejos de la unidad.
15. Se deben limpiar el suelo y el terreno circundante de vegetación inflamable y otros materiales inflamables cuando se utilice el calefactor afuera.
16. Eventualmente, como ocurre con todos los dispositivos eléctricos/mecánicos, el termostato puede fallar. La falla del termostato puede hacer que la calefacción resulte insuficiente. Se debe probar el termostato a fin de comprobar que enciende y apaga el calefactor dentro de un diferencial de temperatura de $\pm 3^{\circ}$ F ($\pm 1,5^{\circ}$ C).
17. Tómese el tiempo para aprender a operar y mantener el calefactor con el manual del usuario. Asegúrese de que conoce cómo cerrar el suministro de gas al edificio y también al calefactor individual. Comuníquese con su proveedor de gas combustible si tiene alguna duda.
18. Cualquier defecto que halle en la realización de alguno de los procedimientos de mantenimiento debe eliminarse y las piezas defectuosas deben reemplazarse de inmediato. El calefactor debe ser probado nuevamente por personal de servicio calificado antes de volver a ponerlo en uso.
19. Para uso en interiores o al aire libre. Se proporcionará una ventilación adecuada de acuerdo con OSHA 29 CFR 1926.154, Requisitos de seguridad para dispositivos y equipos de calefacción portátiles y temporales, ANSI A10.10, Código nacional de gas combustible, ANSI Z223.1 / NFPA54, Código de gas licuado de petróleo, NFPA 58 o el Código de instalación de gas natural y propano, CAN B149.1, según corresponda



El los calentadores L.B. White Foreman estarán configurados de fábrica para ser L.B. White LINK listo o compatible. Verifique el número de modelo en la placa de identificación para determinar si su calentador Foreman es L.B. White LINK listo o compatible. Si el diseño de su plantilla termina con la letra "L", entonces lo es. Listo para el L.B. ENLACE. Si el diseño de su modelo no termina con la letra "L", es solo L.B. Compatible con LINK blanco. Vea el ejemplo a continuación.

	Model/Modelo/ Modelo	CI500BSDN42168TL	
Serial No./No. de série	Fuel / Carburant / Combustible	LPG/NG	Maximum Maximo Maximale
Elevation / Elévation (ft/m)	0 - 2.000 / 0 - 610		Minimum Minimo Minimale
Input / D'Entrée / Entrada (kBtu/rkW)			
Manifold pressure / Pression du brûleur / Quemador de presión (inW/C/kPa)	LPG	500 / 146.5	N/A
	NG	3.9 / 1.0	N/A
		5.7 / 1.4	N/A
Inlet pressure / Pression d'entrée / Presión de entrada (inW/C/kPa)		13.5 / 3.4	8.0 / 2.0
Electrical / Électrique / Eléctrico (V/A/Hz/Ø)		120 / 14.8 / 60 / 1	
Min. operating temp./Min. température de fonctionnement / Min. temperature de funcionamiento (°F/°C)		-20 / -28	
L.B. White Co., LLC 411 Mason Street Onalaska, WI 54660 USA 1-608-783-5691			

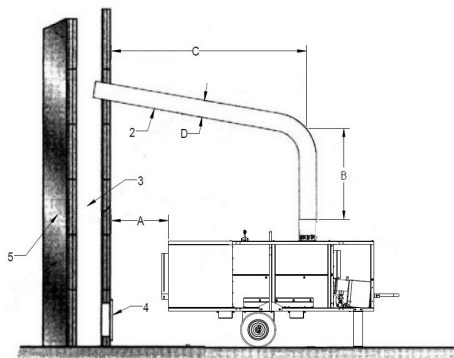
Para L.B. White LINK Ready Foreman, número de kit de pedido **500-133307**. Para L.B. White LINK Capataz compatible, consulte la tabla siguiente.

MODEL	KIT NO.
FOREMAN 230 DF	500-133224
FOREMAN 500/750 DF	500-133193

Para obtener más información sobre L.B. Sistema White LINK, póngase en contacto con su L.B. White distribuidor. También puede llamar al L.B. White empresa, LLC al 1-800-345-7200

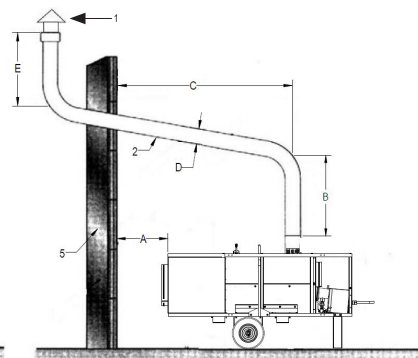
Estructura interior

EN UNA CHIMENEA EXISTENTE



- 1) Dispositivo contra el viento, accesorio opcional
- 2) Cruce horizontal con inclinación mínima hacia arriba de 5°
- 3) Chimenea de 8 pulgadas x 8 pulgadas de medida interior mínima
- 4) Puerta abatible contra explosión de la chimenea
- 5) Pared de asentamiento exterior

DIRECTAMENTE AL EXTERIOR



- A. Mínimo 3 pies
- B. Mínimo 3 pies
- C. Longitud mínima
- D. Igual o mayor que diámetro exterior del conducto del calefactor.
- E. Mínimo 3 pies

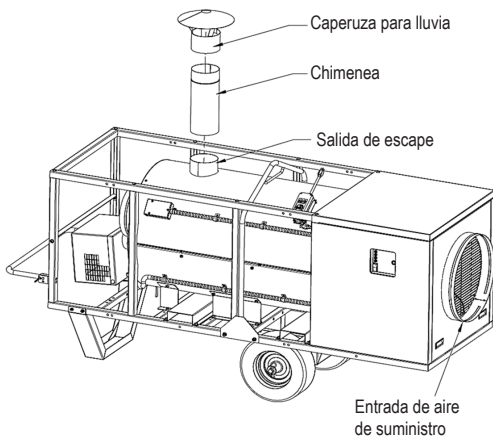
Nota: La información precedente constituye solo una recomendación. Haga revisar su instalación por una autoridad local.



ADVERTENCIA

Peligro de asfixia

- Si la instalación es en interiores, el escape del calefactor debe ventilar hacia el exterior.
- De lo contrario, se puede producir asfixia debido a la falta de un adecuado suministro de aire o envenenamiento por monóxido de carbono.
- El envenenamiento por monóxido de carbono puede provocar lesiones graves o la muerte.



Estructura exterior

A fin de evitar la recirculación de gas de escape de la salida del escape hacia la entrada de aire del calefactor, se debe instalar un conducto de escape de 5 pies/1,25 metros como mínimo en la salida del escape. Para proteger contra la entrada de agua cuando se instala el calefactor en exteriores, es necesario utilizar una caperuza para lluvia.

El accesorio de chimenea opcional y la tapa para lluvia se pueden comprar a través de L. B. White Co.

Instalación de conductos

Este calentador puede ser canalizado mediante dispositivos de distribución L.B. White aprobados.

- Conducto de salida de 12 pulgadas / 30,48 cm de diámetro x 25 pies / 7,62 m. L.B. White parte # 500-30052, no requiere adaptador de conducto.

- (CI500 / CI750), kit de conducto de 16 pulg. / 40,64 cm de diámetro x 25 pies / 7,62, L.B. White parte # 500-30076. Requiere un adaptador de conducto parte # 500-30902.

-- Se aceptan otros materiales para conductos pero deben cumplir con los siguientes requisitos:

1. El conducto debe tener una temperatura mínima del material de 300° F/149° C
2. Conductos de hasta 100 pies. / 30,48 m se pueden conectar al calentador siempre y cuando la presión estática no exceda el límite de estática. Consulte la tabla siguiente para obtener más detalles. Aumentar la presión estática reducirá la tasa de flujo y causa que los límites de alta temperatura cierren el calentador apagado. Dobles y retorceduras o colapsos en el conducto pueden aumentar la presión estática.

Modelo	Max. Presión estática
CI230	1 pulg c.a.v. / 0,25 kPa
CI500 / CI750	2,5 pulgadas c.c. / 0,62 kPa

-- Ubique el conducto debajo de materiales adecuados de barrera contra el viento según los requisitos del trabajo.

3. Se puede usar un conducto de 12" alternativo de los siguientes fabricantes:

- Artic Helix - Norseman
- Artic Econorush - Norseman
- Hitex Series - NTI Global
- Ventflex Series - NTI Global

NOTA:

- Al usar los conductos, asegúrese de mantener en un mínimo la cantidad de codos. Se permiten como máximo dos codos de 90°.
- La reducción de la cantidad de codos garantiza que el aire caliente que sale del calefactor fluya libremente, con lo que se evita un sobrecalentamiento. Si hay una cantidad excesiva de codos, se pueden abrir los interruptores de límite superior.

OPCIONAL: Un kit de conductos de recirculación de aire con una longitud máxima de 25 pies / 7,62m se puede conectar a la entrada de suministro de aire del calentador.

CI230	16 pulg. / 40,6 cm de diámetro x 25 pies. / 7,62 m.
CI500/CI750	20 pulg. / 50,8 cm de diámetro x 25 pies. / 7,62 m.

Regulador y manguera de gas

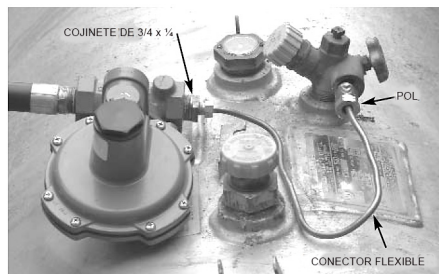
NOTA: La manguera de gas y el regulador no se envían con el calentador. Son accesorios opcionales y deben pedirse por separado.

CALEFACTORES DE PROPANO

Regulador de doble etapa: 500-25141

Diámetro mínimo de la manguera de gas para longitud de 15':
 CI230/CI500: 3/4 pulgada: 500-25965
 CI750: 1 pulgada: 500-132047

1. Levante la tapa del tanque.
2. Arme el cojinete, el conector flexible y el regulador como se indica. Ajuste bien las conexiones.



3. Forme con precaución el conector para garantizar que el regulador quede sostenido por el tanque y la tapa de la válvula del tanque protegerá el regulador de las condiciones climáticas.
4. Enrosque el adaptador POL del conector en el sentido opuesto al de las agujas del reloj en la válvula del tanque. Ajuste bien.

5. Abra la válvula del tanque.
6. Verifique todas las conexiones con un detector de fugas aprobado. Cierre la tapa del tanque.
7. Cuando se almacene o transporte el calefactor, se debe garantizar que el adaptador del conector esté protegido contra daños y la entrada de suciedad.

CALEFACTORES A GAS NATURAL

- Se debe usar un regulador si la presión de suministro al calentador está por encima de la presión máxima de entrada de 13,5 pulgadas de columna de agua (3,36 kPa).

- Conecte un regulador a la línea de suministro de gas natural utilizando los dispositivos de plomería adecuados.

Presión de suministro de gas natural al regulador de segunda etapa			
		2 PSIG	5 PSIG
CI230	Regulador	500-25141	
	Manguera de gas	500-25965	
CI500	Regulador	500-132046	500-25141
	Manguera de gas	500-132047	
CI750	Regulador	500-132136	500-132046
	Manguera de gas	Comuníquese con su distribuidor local de gas LP	

* Si la presión de entrada de suministro al calentador es inferior a 1/2 psig, no se requiere un regulador de segunda etapa.

Tamaño del suministro de gas

La vaporización del propano se ve afectada por numerosos factores: la superficie del contenedor, el nivel líquido del propano, la temperatura que rodea al contenedor y la humedad relativa. Todos estos factores son específicos para el lugar de trabajo. Por lo tanto, se requiere determinado nivel de experiencia y criterio a fin de seleccionar el suministro de propano adecuado. Si bien la experiencia es la mejor guía, se pueden utilizar las siguientes recomendaciones como punto de partida. La tabla a continuación se basa en la experiencia en climas septentrionales en los que el clima frío y la alta humedad prevalecen en el invierno. Si prevalecen condiciones más o menos favorables en un lugar de trabajo específico, se pueden realizar ajustes tomando como base la experiencia.

Si se utiliza más de un contenedor de suministro de gas por calefactor, los contenedores deben conectarse entre sí mediante un colector a fin de permitir la extracción del vapor de manera simultánea desde múltiples contenedores. El sistema del colector debe cumplir con la norma NFPA 58 o CSA B149.1.

Tamaño del suministro de gas

Tamaño del tanque (galones)	Temperatura (F)	Porcentaje de líquido en el tanque							
		80	70	60	50	40	30	20	10
500	0	532,800	488,400	444,000	400,000	355,000	311,000	266,000	200,000
	-5	399,600	366,300	333,000	300,000	262,500	233,250	199,500	150,000
	-10	266,400	244,200	222,000	200,000	177,500	155,500	133,000	100,000
	-15	133,200	122,100	111,000	100,000	88,750	77,750	66,500	50,000
1,000	0	949,200	870,100	791,000	712,000	633,000	553,000	474,000	356,000
	-5	711,900	652,575	593,250	534,000	474,500	414,750	355,500	267,000
	-10	474,600	435,050	395,500	356,000	316,500	277,000	237,500	178,000
	-15	237,300	217,525	197,750	178,000	158,250	138,500	118,750	89,000
Tamaño del tanque (litros)	Temperatura (C)	Porcentaje de líquido en el tanque							
		80	70	60	50	40	30	20	10
1893	-18	156.16	143.15	130.14	117.24	104.05	91.15	77.96	58.62
	-21	117.12	107.36	97.60	87.93	76.94	68.37	58.47	43.97
	-23	78.08	71.58	65.07	58.62	52.03	45.58	38.98	29.31
	-26	39.04	35.79	32.53	29.31	26.01	22.79	19.49	14.66
3785	-18	278.21	255.03	231.84	208.69	185.53	162.08	138.93	104.34
	-21	208.66	191.27	173.88	156.52	139.08	121.56	104.20	78.26
	-23	139.11	127.51	115.92	104.34	92.77	81.17	69.46	52.17
	-26	69.55	63.76	57.96	52.17	46.38	40.58	34.73	26.09

Compuerta de regulación de aire

NOTA: Se debe lograr aire de combustión adecuado para una combustión completa y apropiada.

La compuerta de regulación de aire de este calefactor se configura de fábrica para operar normalmente a 0-2.000 pies por encima del nivel del mar. La compuerta de aire requerirá de ajustes si el calefactor debe funcionar a más de 2.000 pies. Para obtener servicio al ajustar la compuerta de aire, comuníquese con:

CI500/CI750
Riello Burner North America
 (800) 474-3556
www.riello.com/north-america/

CI230
Beckett Corporation
 (800) 645-2876
www.beckettcorp.com

NOTA: Se pueden producir variaciones en el gas de escape, CO₂, y las lecturas de temperatura cuando no se pone en su lugar el chasis del quemador. Por lo tanto, la tapa del chasis del quemador **debe** estar en su lugar al tomar las lecturas de los instrumentos de la combustión final, a fin de garantizar que los resultados de las pruebas sean adecuados.

Termostato

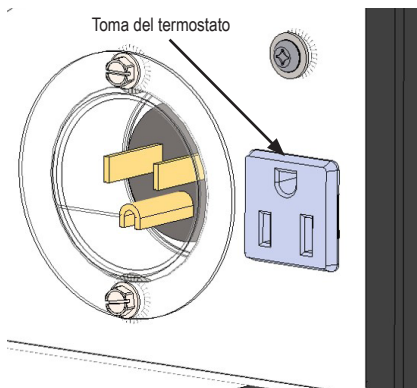
El termostato remoto opcional es un termostato completamente cerrado según calificación NEMA 4X con ajuste de temperatura en una sola etapa ($\pm 3^{\circ}$ F/ -16° C). L.B. White Pieza n.° 500-30125.



Si el termostato no es necesario o requerido, seleccione manual en el interruptor del termostato.



Si se requiere un termostato, levante la cubierta de salida del termostato y enchufe la clavija macho del cable del termostato a la salida del termostato del calentador. Seleccione el ajuste del termostato en el interruptor de palanca.



ADVERTENCIA

- SIEMPRE cubra la salida del termostato cuando no esté en uso.
- NO enchufe un aparato a la salida del termostato.
- NO enchufe un termostato en línea en la salida del termostato.

Instrucciones de puesta en marcha

Para la puesta en marcha inicial luego de la instalación del calefactor, siga los pasos 1-5. Para la puesta en marcha normal, ponga el termostato en un nivel superior al de la temperatura ambiente o ponga el interruptor selector del termostato en la posición manual.

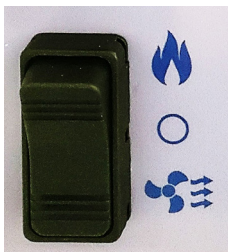
1. Este calefactor está cableado con una conexión a tierra para su protección contra el riesgo de descargas eléctricas. El calentador debe ser conectado directamente a un cableado adecuado y suministro eléctrico con conexión a tierra. (Tamaño mínimo del interruptor: C1230-15 amperios, C1500/C1750-20 amperios).
2. Ponga el termostato en la temperatura ambiente deseada o ponga el interruptor selector del termostato en la posición manual.
3. Ubique la válvula selectora de combustible como se indica para el combustible que se utiliza.


Este calentador se envía de fábrica con la válvula selectora de combustible en la posición de gas propano (LP). Asegúrese de que el mango de la válvula selectora de combustible esté colocado correctamente para el combustible que se está utilizando.

C1500 / C1750 LA ETIQUETA SE MUESTRA ABAJO





4. Este calefactor cuenta con un interruptor selector de estilo basculante que está ubicado al costado del calefactor. Este interruptor permite seleccionar el modo de calor o el modo de ventilación (sin calor).



5. Cuando se pone el interruptor en calor,  se activan tres luces de estado en secuencia a medida que el controlador del calefactor verifica circuitos específicos. Si no se enciende el calefactor, y una luz de estado está apagada, consulte la sección sobre resolución de problemas de este manual.
6. No exceda el valor de entrada que se indica en la placa de datos, o la presión del orificio del quemador recomendada por el fabricante para el orificio del tamaño utilizado. Compruebe que el suministro de aire primario al quemador principal esté abierto y libre de polvo, suciedad y residuos para una combustión completa y adecuada.

A. Funcionamiento del modo de calefacción

- a. Abra todas las válvulas de suministro de combustible  manuales. Verifique si hay fugas de gas con un detector de fugas aprobado. Controle la válvula selectora de gas para determinar si el gas es adecuado.
- b. Cuando se pone el interruptor selector en calor  y el termostato requiere calor, se enciende un conjunto de luces verdes (energía encendida y termostato encendido).

C1230

- El motor del quemador tiene una prepurga de 60 segundos. El LED de límite alto y el LED de estado rojo en la placa de control GeniSys tendrán un parpadeo lento y constante.

C1500/C1750



- El motor del quemador se purgará durante 1 minuto. El led de límite alto se encenderá durante este ciclo.

Todos los modelos

Después de la purga previa, el encendedor hará chispa y comenzará el encendido. El motor del soplador tiene un retardo de tiempo antes de funcionar (C1230-15 segundos, C1500/C1750-30 segundos). El el termostato encenderá o apagará el calefactor sobre la base del ajuste de temperatura.

Nota: Cuando el termostato hace un ciclo de apagado del calefactor o del el interruptor del selector está en OFF, el motor del ventilador continuará funcionando durante un período adicional de 90 segundos para enfriar el intercambiador de calor. **NO DESECHUFAR EL CALENTADOR HASTA QUE EL CICLO DE ENFRIADO SE COMPLETE.**

B. Funcionamiento del modo de ventilación

Cuando se pone el interruptor selector en la posición de ventilación , solo se enciende la luz del motor del ventilador. El motor del ventilador arranca pero el motor del quemador no, ni se produce el encendido. La función se usa normalmente cuando no se necesita calor sino circulación de aire. El calefactor no realiza el ciclo en el ajuste del calefactor. A fin de interrumpir la función de ventilación, ubique el interruptor en el punto intermedio O o calor .

Si desea usar la función de ventilación, no es necesario conectar el suministro de gas (es decir, la manguera y el regulador) a la fuente de combustible.

C. apartado de O

Ubique el interruptor en el punto intermedio O

Bloquea de seguridad

CI500 / CI750

Este calefactor está equipado con dispositivos de interbloqueo de seguridad. En caso de una avería mientras el quemador está en funcionamiento, o si el suministro de aire del quemador está obstruido, el quemador se bloquea. Si esto sucede, el botón de reposición del controlador del quemador se enciende de color ROJO.

PARA REPONER LA CAJA DE CONTROL

Oprima y mantenga apretado el botón de reposición del controlador del quemador durante 1 a 2 segundos.



El quemador vuelve a arrancar al cabo de una pausa de 5 segundos una vez que se suelta el botón.

MODO DE DIAGNÓSTICO

El controlador realiza diagnósticos que identifican la causa del mal funcionamiento del calefactor.

A fin de usar la función de diagnóstico, espere al menos 10 segundos una vez que el calefactor haya entrado en el modo de bloqueo (luz de color ROJO constante). Oprima y mantenga apretado el botón de reposición durante más de 3 segundos o hasta que una luz de color amarillo parpadea para informarle que la operación se ha terminado. Suelte el botón y una luz roja parpadeará una cantidad de veces para identificar el problema de funcionamiento que se produjo. Consulte la sección sobre resolución de problemas para obtener más información.

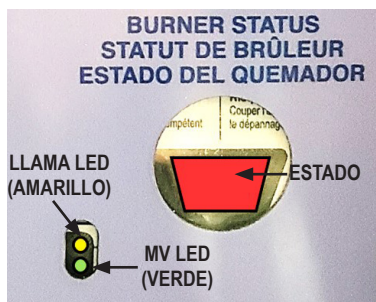
- El controlador tiene solo una prueba de encendido. Si no se logra el encendido, el control del quemador de encendido se pondrá en el modo de bloqueo.
- Es normal que quede aire atrapado en la manguera de gas en instalaciones nuevas. El calefactor puede requerir varias pruebas de encendido antes de que el aire finalmente se purgue de la línea y se produzca el encendido.

CI230

El control GeniSys tiene 3 luces LED que lo ayudarán a proporcionar información sobre el estado y el diagnóstico. Las tres luces led son Status, Flame y MV (válvula principal). Los ledes utilizan 4 modos: encendido, apagado, parpadeo lento o parpadeo rápido.

- Flame (amarillo) = sentido de llama o intensidad de llama.
- MV (verde) = válvula de gas encendida/apagada
- Status/Reset (rojo) = Normal/Bloqueo

Durante el bloqueo, el LED rojo de estado de la GeniSys parpadeará 3 veces por segundo. Para reiniciar el GeniSys controlar, pulsar y soltar el LED de estado.



Instrucciones de apagado

Si se debe apagar el calefactor para limpieza, mantenimiento o reparación, siga los pasos 1-6. De lo contrario, solo ajuste el termostato en "Off" (apagado) o "No Heat" (sin calor) o el interruptor "T stat" para el termostato solo para el apagado estándar.

1. Cierre la válvula de suministro de gas que está ubicada en el las fuentes/los contenedores de suministro de gas.
2. Permita que el calefactor quemen el gas combustible que queda en la línea de suministro de gas.
3. Ajuste el termostato en "Off" (apagado) o el interruptor selector en la posición intermedia O.
4. Deje que el calefactor realice su modo de enfriamiento posterior a la purga. CONSULTE LA NOTA A CONTINUACIÓN.
5. Desconecte el calefactor de sus suministros eléctrico y de gas. (NO DESCONECTE EL SUMINISTRO ELÉCTRICO HASTA QUE EL MOTOR DEL VENTILADOR PRINCIPAL SE HAYA APAGADO TRAS ENFRIAR EL INTERCAMBIADOR DE CALOR)

Nota: Cuando el termostato apaga el calefactor o el interruptor selector está en la posición OFF (apagado), el motor del ventilador principal continúa funcionando. En eso consiste el enfriamiento posterior a la purga del intercambiador de calor. Durante este proceso, el LED parpadea, luego de 90 segundos de la purga posterior, el calefactor se apaga.

Instrucciones de limpieza



ADVERTENCIA

Peligro de incendio, quemaduras y explosión

- Este calefactor contiene componentes eléctricos y mecánicos en los sistemas de seguridad y de gestión del gas.
- Tales componentes pueden volverse inoperables o fallar debido a la acumulación de polvo, suciedad, desgaste y antigüedad.
- La limpieza e inspección periódicas, así como un mantenimiento adecuado, son fundamentales para prevenir lesiones graves o daños materiales.

1. Antes de limpiar, apague todas las válvulas de suministro de gas y desconecte el suministro eléctrico.
2. Se debe quitar el polvo o la suciedad del calefactor periódicamente:
 - a. Antes de cada uso, realice una limpieza general del calefactor con aire comprimido o un cepillo suave, o un paño seco por la caja y los componentes interiores. En este momento, quite el polvo de la caja del motor para impedir que se sobrecaliente.
 - b. Realice una limpieza profunda del calefactor por lo menos una vez al año. En este momento, extraiga el conjunto del ventilador y el motor, y quite el polvo del conjunto de las aspas del ventilador con un cepillo o mediante soplado. Además, compruebe que la entrada de aire del quemador quede libre de acumulación de polvo.



ADVERTENCIA

Peligro de incendio, quemaduras y explosión

- No utilice una lavadora a presión, agua ni una solución de limpieza líquida en los controles de gas. El uso de una lavadora a presión, agua y una solución de limpieza líquida en los componentes de control puede causar lesiones graves o daños materiales a causa del agua y/o los líquidos:
- En los componentes y los cables eléctricos, pueden causar una descarga eléctrica o fallas en los equipos.
- En las válvulas de control de gas, pueden causar corrosión, que a su vez puede ocasionar fugas de gas e incendios o explosiones por las fugas.

Limpie todos los componentes del calefactor con aire a presión, un cepillo seco o una tela seca.

Instrucciones de mantenimiento

ANTES DE CADA USO:

- Controle la superficie que rodea al calefactor para garantizar que esté despejada y libre de materiales inflamables, gasolina y otros vapores y líquidos inflamables..

- En la instalación, garantice que el flujo de aire de ventilación y combustión esté libre de obstrucciones.
- Pida a su proveedor de gas que revise todas las conexiones de gas para detectar fugas o restricciones en las tuberías de gas..
- Inspeccione la ventilación del regulador para asegurarse de que esté libre de obstrucciones. Los residuos, insectos, nidos de insectos, la nieve o el hielo depositados o acumulados en un regulador pueden obstruir las ventilaciones y causar presión excesiva en el calefactor.
- Controle todos los terminales y los componentes eléctricos relacionados con el cableado dentro del calefactor para detectar la presencia de corrosión, aislamiento deshilachado o cortado, conexiones ajustadas, etc. Repare o reemplace según sea necesario.
- Revise todas las marcas del calefactor (es decir, diagramas de cableado, advertencias, puesta en marcha, apagado, resolución de problemas, etc.) al momento del mantenimiento para determinar si están legibles. Asegúrese de que no estén cortadas, arrancadas o dañadas de otro modo. Comuníquese de inmediato con L.B. White Co., LLC para reemplazar las marcas dañadas. Las advertencias y las instrucciones de encendido y apagado, la placa de datos están disponibles sin costo. Se aplica un cargo nominal por los diagramas de cableado.
- Controle la correa de transmisión del ventilador principal. Compruebe que la correa no esté agrietada. Si es así, reemplácela. Además, garantice que la correa no se esté deslizando, que la tensión de la correa sea adecuada y que las poleas estén bien alineadas y no estén desgastadas.
- Controle la regulación de la compuerta de aire.

ANUALMENTE

- Limpie y controle el encendedor y el sensor de llamas para detectar grietas.
- Pruebe los interruptores de calor de límite superior para garantizar que funcionen correctamente.. (Consulte las instrucciones para esto mismo en la sección Mantenimiento de este manual)
- Los reguladores pueden desgastarse y funcionar incorrectamente. Pida a su proveedor de gas que verifique los códigos de fecha que figuran en todos los reguladores instalados y las presiones que llegan al calefactor para asegurarse de que el regulador sea confiable.

Instrucciones de servicio



ADVERTENCIA

Peligro de quemaduras

- Las superficies del calefactor quedan calientes durante un tiempo luego de que se apaga el calefactor.
- Deje que el calefactor se enfríe antes de realizar tareas de mantenimiento o limpieza.
- No tener en cuenta esta advertencia podría causar quemaduras.

1. Cierre la válvula de suministro de combustible al calefactor y desconecte el suministro eléctrico antes de realizar el mantenimiento, a menos que sea necesario para su procedimiento de mantenimiento.



ADVERTENCIA

Peligro de incendio y explosión

- No desarme ni intente reparar ningún componente del calefactor ni los componentes del tren de gas.
- Todas las piezas componentes deben reemplazarse si se hallasen defectuosas.
- No seguir esta advertencia puede ocasionar incendios o explosiones que produzcan daños materiales, lesiones o la muerte.

2. Limpie el orificio del calefactor con aire comprimido o un paño suave y seco. No use limas, taladros, raspadores, etc. para limpiar el orificio. Esto podría agrandar el orificio y causar problemas de combustión o encendido. Reemplace el orificio si no puede limpiarse adecuadamente.

3. Se pueden probar los interruptores de límite superior, el interruptor CALOR/VENTILACIÓN y el termostato mediante desconectando los cables en el componente y puenteándolos entre sí:
 - Vuelva a conectar el suministro eléctrico y abra las válvulas de suministro de combustible.
 - Si el calefactor se enciende, el componente es defectuoso y se debe reemplazar.
 - Si la pieza es defectuosa, no deje colocado el puente ni haga funcionar el calefactor. Reemplace la pieza de inmediato.
 - Un método alternativo para verificar los componentes es realizar una verificación de continuidad.

4. Mantenimiento del conmutador de accionamiento neumático del diferencial.
 - El conmutador de accionamiento neumático del diferencial no se puede ajustar. Si el interruptor no establece el circuito después de la inspección de los tubos y los orificios, se lo debe reemplazar.

5. Abra o quite el panel respectivo para acceder a los componentes relacionados con el ventilador.

6. Para volver a armarlo, invierta el procedimiento de mantenimiento respectivo. Asegúrese de que las conexiones estén bien ajustadas.

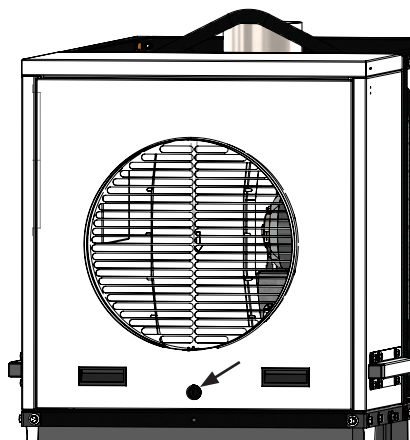
7. Después del mantenimiento, encienda el calefactor para asegurarse de que funcione adecuadamente y verifique que no haya fugas de gas.

8. Si se pierden llaves del ventilador durante el mantenimiento, las de reemplazo se hacen fácilmente con un bloque de material de 3/16 cuadrado x 1 pulgada.

Componentes del impulsor

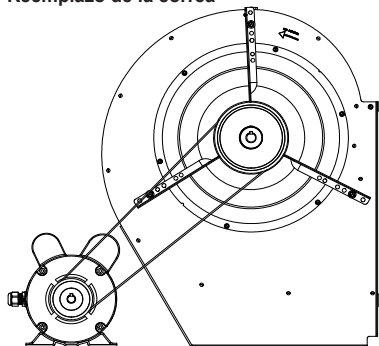
Acceso al motor del soplador, componentes del ventilador componentes y control eléctrico.

- Quitar el panel trasero desbloqueando (en sentido antihorario) la cerradura y sacando el panel.
- Desenganche el panel superior desde el interior del calentador y tire del panel hacia atrás para desbloquear la lengüeta.
- Quitar el panel superior.

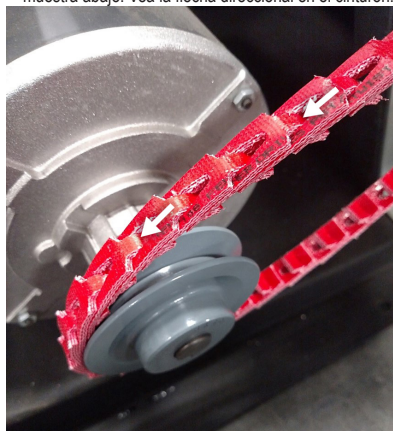


CI500 / CI750 Modelos

Reemplazo de la correa

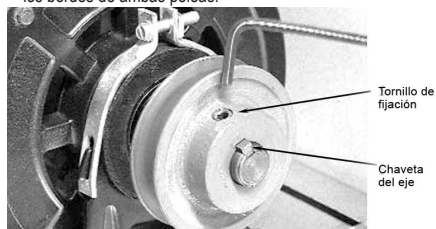


1. Extraiga cuidadosamente la correa de la polea.
2. Verifique las ranuras de la polea del motor y el ventilador para detectar la presencia de suciedad, limpie las poleas si es necesario.
3. Instale la correa nueva. Asegúrese de instalar la correa como se muestra abajo. Vea la flecha direccional en el cinturón.



Poleas del motor y el ventilador

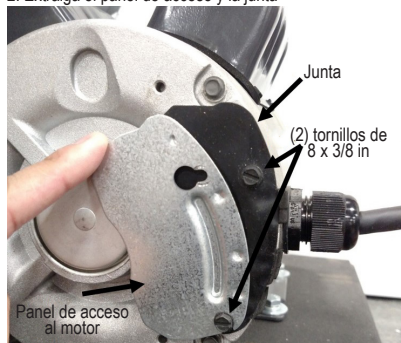
1. Extraiga la correa de las poleas. Consulte Reemplazo de la correa
2. Afloje el tornillo allen de las poleas del ventilador y el motor.
3. Extraiga la polea y la chaveta del motor y el eje del ventilador.
4. Al instalar una polea nueva, use una regla, controle la alineación de la polea del ventilador y del motor. Debe haber contacto en los bordes de ambas poleas.



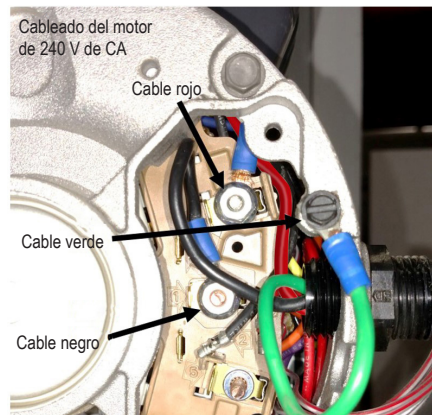
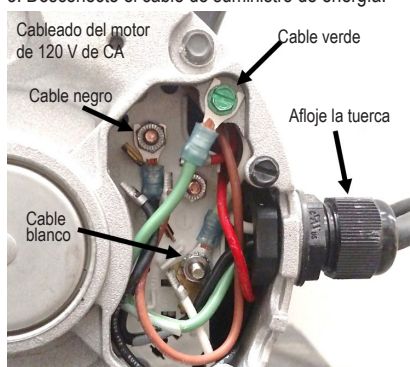
Motor del ventilador

1. Afloje los tornillos del panel de acceso del suministro eléctrico en el motor

2. Extraiga el panel de acceso y la junta



3. Desconecte el cable de suministro de energía.

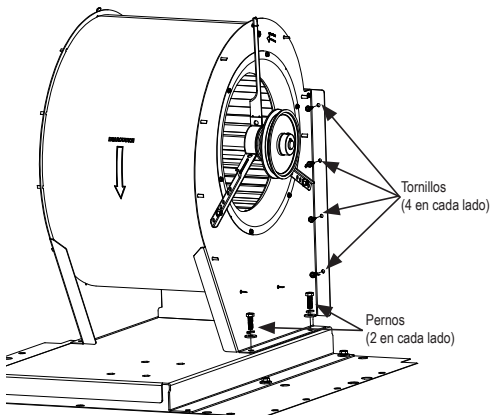


4. Extraiga los cuatro pernos con una llave fija de 1/2 pulgada.

- Garantice que las poleas del motor y el ventilador queden bien alineadas al reinstalarlas.
- Los rodamientos del motor están permanentemente lubricados.

Extracción de la carcasa del ventilador

1. Extraiga la correa del ventilador. Consulte el procedimiento de reemplazo de la correa.
2. Extraiga el motor del ventilador. Consulte la sección sobre el motor del ventilador.
3. Ubique y extraiga los cuatro pernos de la base del recinto del ventilador. Consulte a continuación.
4. Ubique y extraiga los ocho tornillos de la lámina metálica. Consulte el diagrama a continuación.
5. Tire del recinto de la turbina hacia afuera.



Reemplazo de la rueda de ventilador

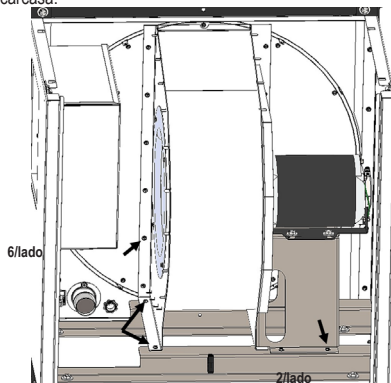
1. Extraiga la correa del ventilador.
Procedimientos de reemplazo de la correa.
2. Extraiga la correa del eje del ventilador. Consulte los procedimientos para las correas del ventilador y del motor.
3. Afloje todos los tornillos de fijación Allen del eje del ventilador, incluido el tornillo de fijación del cubo de la rueda de ventilador.
4. Empuje el eje del ventilador a través de la rueda de ventilador y de los soportes de montaje del cojinete.
5. Baje la rueda de ventilador para obtener acceso a las tuercas del soporte de montaje del cojinete, detrás del lado de la carcasa del ventilador.
6. Extraiga los tornillos del aro de la carcasa del ventilador.
7. Extraiga la rueda de ventilador.

NOTA: Cuando instale la rueda de ventilador nueva, asegúrese de que el cubo de la rueda de ventilador esté en el mismo lugar que la correa del motor.

CI230

Carcasa del ventilador y conjunto del motor

1. Desconecte el cableado del motor del panel de control.
2. Retire todos los tornillos que fijan la carcasa del ventilador al intercambiador de calor y las barras de montaje de la carcasa.

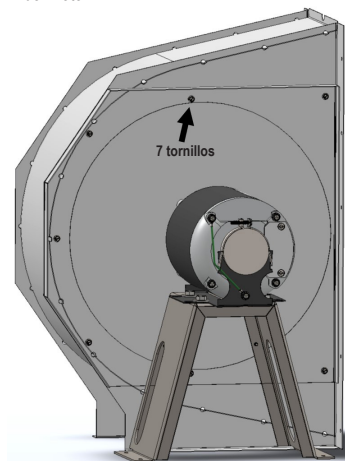


2 tornillos

3. Retire la carcasa del ventilador y el conjunto del motor.

Retiro de la rueda del motor/ventilador Rueda del ventilador

1. Retire todos los tornillos que fijan la placa de montaje del motor.



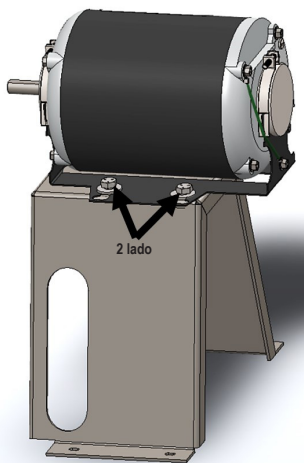
2. Retire el conjunto motor/rueda del ventilador de la carcasa del ventilador.

3. Afloje las dos llaves Allen de 3/16 que aseguran la rueda del ventilador al eje del motor.

4. Retire la rueda del ventilador.

Motor

1. Siga las instrucciones para retirar la rueda del ventilador.
2. Retire los cuatro pernos de cabeza hexagonal que aseguran el motor al soporte del motor.

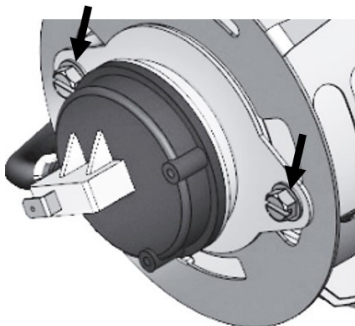


3. Desmontar el motor

Componentes del quemador (C1230)

Interruptor de presión de aire

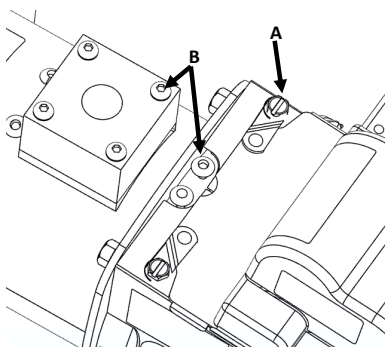
1. Desconecte los dos cables del interruptor de presión de aire.
2. Desconectar la manguera de goma del interruptor de presión de aire.
3. Quitar los dos tornillos que fijan el interruptor de presión de aire a l obturador del quemador.



Orificio del quemador/Encendedor/Sensor de llama
Remoción del orificio del quemador

1. Afloje y gire los dos tornillos de la placa de cubierta (A).
2. Levante la placa hacia atrás para exponer el cable del encendedor y la varilla de llama.

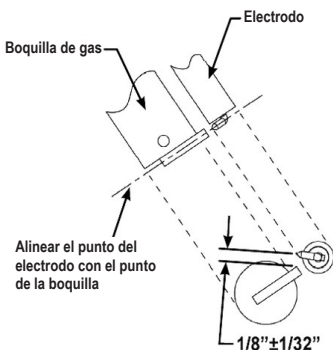
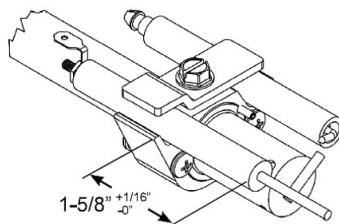
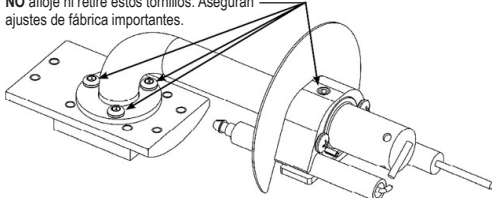
3. Retire los seis tornillos de cabeza allen de 1/8 pulgada (B).
4. Retire el conjunto de la pistola de gas del interior del quemador. tubo de dirección.



Posición de la varilla de llama/electrodo de encendido

⚠ ADVERTENCIA
Peligro de incendio y explosión

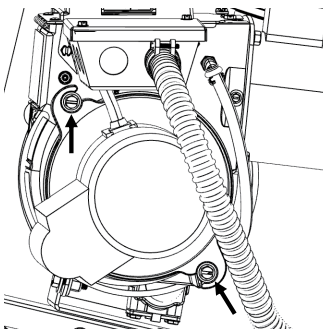
NO afloje ni retire estos tornillos. Aseguran ajustes de fábrica importantes.



Motor del quemador/rueda del ventilador

1. Desconecte los cables del motor dentro de la caja de conexiones que alimentan los cables.

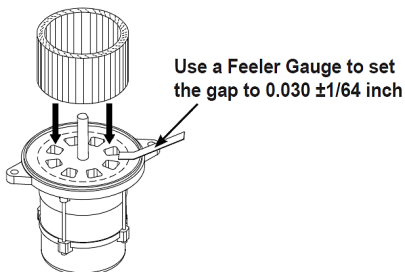
2. Afloje los dos pernos que aseguran el motor del quemador a



3. Gire el motor del quemador en sentido antihorario y extraiga el montaje del motor del quemador/rueda del ventilador.

4. Usando una llave allen de 1/8 pulgada, quite la rueda del ventilador del eje del motor del quemador.

5. Referirse a la ilustración de abajo cuando se abre la nueva rueda del ventilador del quemador al motor del quemador.



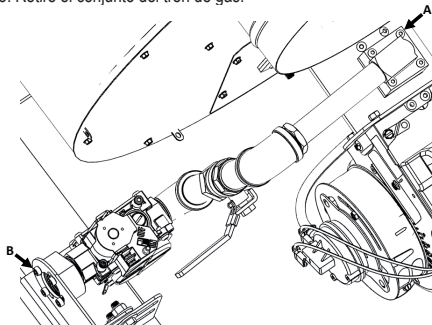
6. Apriete el tornillo de fijación para asegurar la rueda.

Control de gases

1. Retire los cuatro tornillos de cabeza allen de 1/8 pulgada (A).

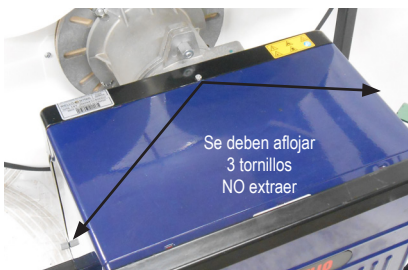
2. Retire los cuatro tornillos de cabeza allen 5/32 (B).

3. Retire el conjunto del tren de gas.



Componentes del quemador (C1500/C1750)

Para el mantenimiento de los componentes relacionados con el quemador se debe extraer el chasis del quemador. Esto se logra aflojando los tornillos del chasis del quemador y tirando de la tapa de dicho chasis hacia usted.



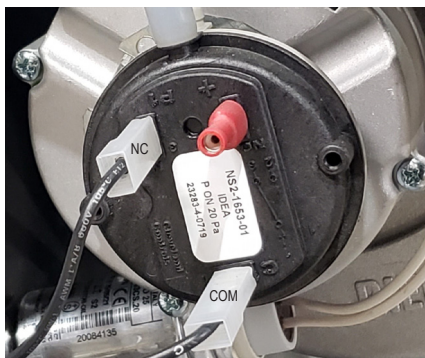
Conmutador de accionamiento neumático

1. Localice el interruptor de presión de aire.



2. Desconecte los terminales del conmutador de accionamiento neumático.

3. Extraiga el tubo del conmutador de accionamiento neumático, ponga atención a que esté conectado a la lengüeta positiva (+) del interruptor.



Orificio del quemador/Encendedor/Sensor de llama

1. Extraiga la contratuerca.



2. Tire del chasis del quemador hacia afuera.

3. Desconecte del encendedor su cable.

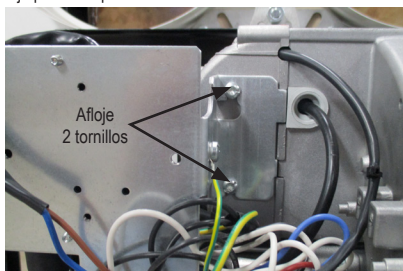
4. Desconecte del sensor de llama su cable.

5. Para Foreman 500/750, observe la posición del quemador. Consulte la tabla de posiciones del quemador a continuación para ver la configuración adecuada. La posición del capataz 500 se muestra a continuación.

Model	Posición del quemador	Posición de puerta de aire / obturador	Posición de la banda de aire
CI230	N/A	10.0	3.0
CI500	3.0	4.0	N/A
CI750	5.0	6.5	N/A

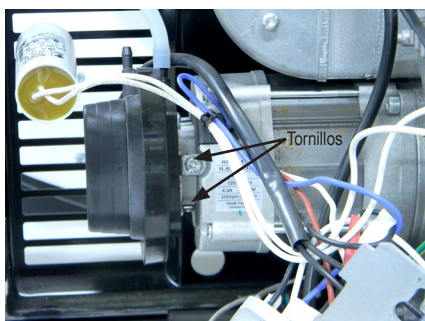
4. Inspeccione el tubo para detectar grietas o ranuras, reemplace si es necesario.

5. Ubique y afloje los tornillos de par de ajuste de montaje para el soporte del transformador de encendido.

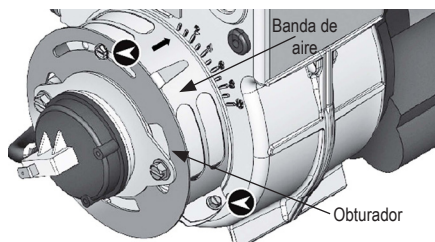


6. Extraiga el soporte del transformador de encendido del chasis del quemador.

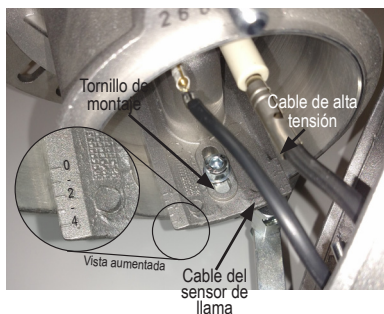
7. Ubique y afloje los dos tornillos de ajuste de montaje del conmutador de accionamiento neumático.



8. Para volver a instalar un interruptor nuevo, invierta el procedimiento.



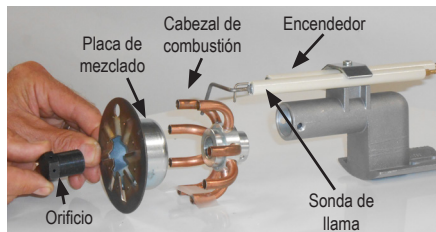
☛ Apriete firmemente los tornillos de bloqueo después de realizar los ajustes
 ☛ Consulte la tabla del obturador de aire / banda de aire para conocer la posición correcta



- Extraiga el tornillo de montaje con la llave Allen de 6 mm.
- Tire del codo del conjunto de la bandeja para extraerlo del conjunto del cabezal de combustión

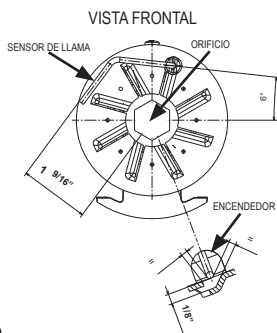
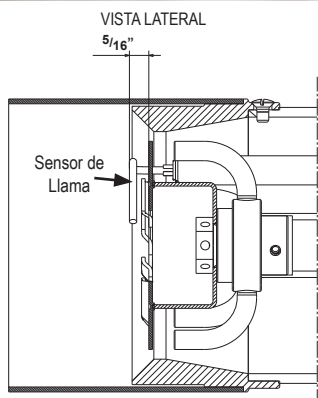
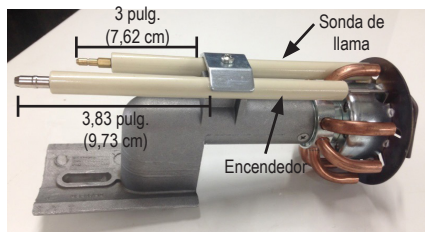
Extracción del orificio del quemador

- Extraiga el orificio del quemador con la llave de 13/16
- Tenga en cuenta la arandela que está detrás del orificio cuando vuelva a instalar el orificio nuevo. Se debe instalar la arandela.



Extracción del encendedor y el sensor de llama

- Extraiga el tornillo de la abrazadera del encendedor y el sensor de llama.
- Ubique el nuevo encendedor para medir 3,83 pulgadas (9,73 cm) desde la abrazadera al extremo de la conexión de terminales.
- El sensor de llama debe medir 3 pulgadas (7,62 cm) desde la abrazadera al extremo de la conexión de terminales.



Fusible

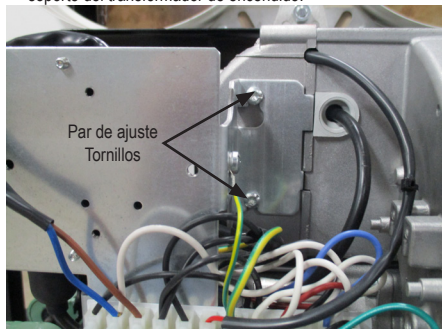
- Ubique el soporte de fusibles en el costado del soporte del transformador de encendido.



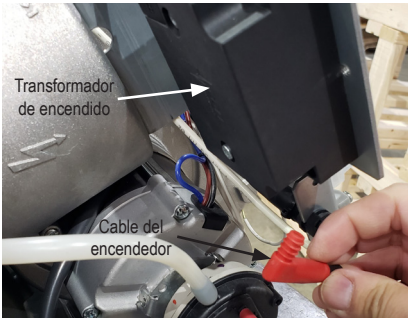
- Extraiga el soporte para fusibles con el destornillador estándar, girando en el sentido opuesto a las agujas del reloj
- Reemplace el fusible si fuera necesario (6,25 a/250 V)

Transformador de encendido

- Desconecte los cables del transformador de encendido en los terminales n.º 2 y n.º 3 en el bloque de terminales.
- Ubique los tornillos de par de ajuste de montaje para el soporte del transformador de encendido.



- Deslice el soporte del transformador de encendido hacia arriba y afuera.
- Desconecte el cable del encendedor del control de encendido.

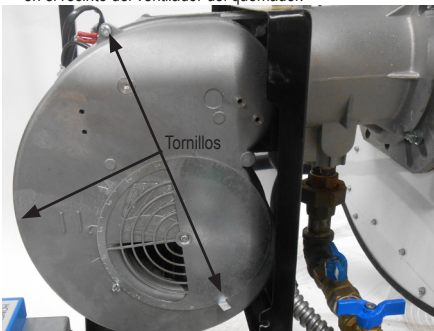


5. Extraiga los tornillos de montaje del transformador de encendido

Motor y turbina

Extracción de la turbina

1. Ubique y extraiga tres tornillos de ajuste de par T25 en el recinto del ventilador del quemador.



2. Tire del recinto del ventilador del quemador hacia afuera para dejar expuesta la turbina..
3. Afloje el tornillo Allen (4 mm) y extraiga la turbina
4. Inspeccione la turbina, limpie o reemplace si fuera necesario.

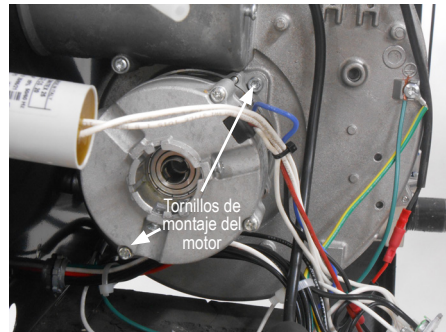
Extracción del motor del quemador

1. Extraiga la turbina, consulte el procedimiento de extracción de la turbina.
2. Extraiga el conmutador de accionamiento neumático, consulte el procedimiento de extracción del conmutador de accionamiento neumático
3. Desconecte los cables del motor de la regleta de terminales

Cable del motor:

Blanco N.º 8 Negro: N.º 10
 Rojo: N.º 9 Azul: N.º 11

4. Ubique y extraiga dos tornillos de cabeza hexagonal H5.



5. Extraiga el motor.

Válvula de solenoide



Desconecte los cables del solenoide del bloque de terminales del quemador n.º 12 y n.º 11.

Interruptores de límite superior



ADVERTENCIA

Peligro de incendio

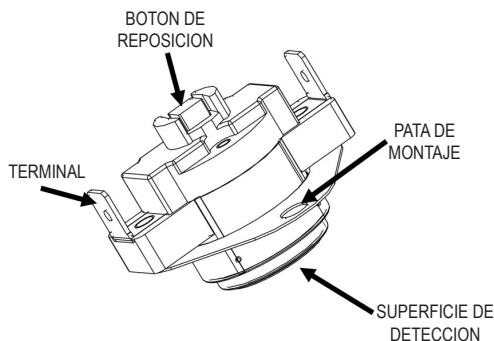
- No haga funcionar el calefactor con uno de los interruptores de límite superior desactivado.
- La operación del calefactor con el interruptor de límite superior desactivado puede ocasionar recalentamiento, que puede derivar en un incendio, con la consecuencia de daños en el calefactor o daños materiales.

Este calefactor está equipado con dos interruptores de límite. Uno se repone manualmente, el otro se restablece automáticamente. Los interruptores están ubicados en el costado del calefactor como se indica.



Ambos interruptores de límite superior se deben probar como mínimo una vez al año cuando se realiza la limpieza profunda del calefactor.

1. Extraiga el interruptor de límite superior.
2. Aplique una llama pequeña solo a la parte de detección en la parte de atrás del interruptor.



Actúe con precaución para no derretir el recinto de plástico del interruptor durante esta prueba.

3. En un plazo de un minuto, debería oír un clic suave, que indica que los contactos del interruptor se han abierto.
4. INTERRUPTOR DE REPOSICIÓN MANUAL: Deje que el interruptor se enfríe durante aproximadamente 1 minuto antes de presionar con firmeza su botón de reposición.
INTERRUPTOR DE REPOSICIÓN AUTOMÁTICO: Deje que el interruptor se enfríe durante aproximadamente un minuto. No es necesario reponerlo.
5. Compruebe la continuidad eléctrica en los terminales del interruptor para asegurarse de que se hayan cerrado los contactos.

Verificaciones de la presión de gas



ADVERTENCIA

- No desarme el regulador ni la válvula de solenoide.
- No intente reemplazar ningún componente interior del regulador o el solenoide.
- Estos componentes se deben reemplazar si se produce algún daño físico en el conjunto del terreno de gas.
- No seguir esta advertencia ocasionará incendios o explosiones que producirán daños materiales, lesiones o la muerte.

ATENCIÓN:

- A continuación se explica un procedimiento típico que se debe seguir para verificar las presiones de gas.
- Las presiones de gas serán distintas según el tipo de combustible.
- Consulte en la placa de datos del calefactor o en la página 5 de este manual las presiones específicas que se deben utilizar en relación con este procedimiento.
- La presión de gas medida en la entrada al regulador es la presión de entrada, y la presión de gas medida en el cuello del cabezal de combustión es la presión del colector del quemador.

MATERIALES NECESARIOS

Cantidad	Descripción
2	Manómetros para gas con capacidad para leer hasta 35 pulg. de columna de agua/8,7 kPa. (se puede pedir a L.B. White, n.º de pieza 00764)
1	Destornillador estándar n.º 4

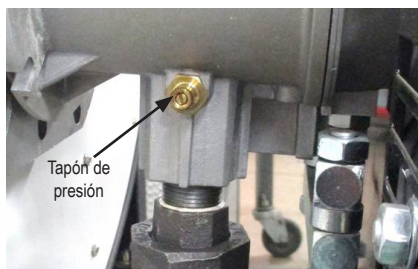
A. Preparación

- Cepille o sople todo polvo o suciedad que haya cerca del cabezal de combustión y del regulador.

B. Instalación de los manómetros

(CI500/CI750)

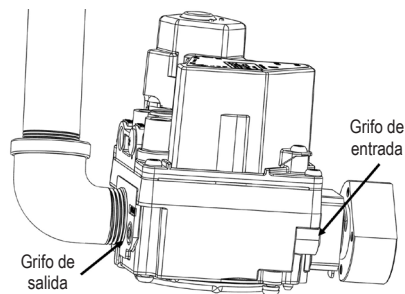
1. Ubique el tapón de presión en el cabezal de combustión.



2. Afloje el tornillo ranurado dentro del tapón de presión.
3. Continuar con la bala # 6.

(CI230)

4. Localice la toma de presión en la válvula de control de gas.



5. Retire el tapón allen e instale una lengüeta 1/8 NPT.
6. Conecte firmemente un manómetro a la lengüeta.
7. Abra las válvulas de suministro de combustible y vuelva a conectar el suministro eléctrico del calentador.
8. Encienda el calentador.

C. Lectura de presiones

1. Con el calefactor funcionando, los manómetros deberían decir las presiones del colector del quemador especificadas en la placa de datos.
2. Si así fuera, entonces no se necesitan más verificaciones ni ajustes. Siga a la sección D.

3. Si las presiones del colector del quemador no concuerdan con las que se especifican en la placa de datos, entonces el regulador que controla la presión de gas al calefactor debe ajustarse.

D. Finalización

1. Una vez que las presiones adecuadas de entrada y del colector del quemador han sido confirmadas y/o ajustadas de manera adecuada, cierre la válvula de suministro de combustible al calefactor y deje que el calefactor quemara el resto de gas que quede en el suministro de gas.
2. Desconecte el calefactor del suministro eléctrico y cierre la válvula de suministro de combustible.
3. Extraiga los manómetros.
4. Cierre el tornillo del tapón de presión girando en sentido opuesto al sentido de las agujas del reloj.
5. Abra la válvula de suministro de combustible y reconecte el suministro eléctrico al calefactor. Encienda el calefactor y verifique si hay fugas de gas.
6. Ajuste el termostato en la temperatura deseada.

Guía de resolución de problemas

LEA TODA ESTA SECCIÓN ANTES DE COMENZAR A RESOLVER PROBLEMAS.



ADVERTENCIA

- Este calefactor puede arrancar en cualquier momento.
- Para resolver cualquier problema que presente este sistema, podría ser necesario operar la unidad con voltaje de línea presente y el gas encendido.
- Actúe con suma precaución al trabajar en el calefactor.
- No tener en cuenta esta advertencia podría causar daños materiales, lesiones o la muerte.

La siguiente guía de resolución de problemas brinda procedimientos para el aislamiento de problemas del equipo. Esta guía está orientada a PERSONAS CALIFICADAS EN MANTENIMIENTO DE CALEFACTORES A GAS. NO INTENTE REALIZAR EL MANTENIMIENTO AL CALEFACTOR A MENOS QUE HAYA RECIBIDO LA CAPACITACIÓN ADECUADA.

EQUIPOS DE PRUEBA NECESARIOS:

- Multímetro digital - para medir voltaje CA y resistencia.
- Manómetro de presión baja - para verificar las presiones de entrada y salida de la válvula de control de gas con respecto a los valores de la placa de datos.

Antes del arranque:

- Inspeccione visualmente el equipo para detectar daños evidentes.
- Verifique todo el cableado para detectar conexiones sueltas y desgaste en el aislamiento.

Los componentes deben reemplazarse solo luego de que cada paso se haya completado y se sugiera el reemplazo. Consulte las secciones sobre mantenimiento, según sea necesario para obtener información sobre los procedimientos de desarmado y reemplazo del componente una vez identificado el problema. Consulte la secuencia de operación del sistema que se incluye en esta sección para comprender cómo funciona el equipo durante una demanda de calor. Comprender la secuencia de operación del módulo de encendido y los componentes relacionados es fundamental, dado que se asocia directamente con los procedimientos de resolución de problemas suministrados en los diagramas.

SECUENCIA DE OPERACIÓN:

- El voltaje de línea está conectado al receptáculo de energía del calentador.
- Se envía voltaje de línea al transformador al:
 - Voltímetro y muestra el voltaje suplementado.
 - Terminal 2 del interruptor selector
 - Terminal de relé de motor principal 2

- Terminal de control del calefactor "L1"
- Interruptor selector puesto en modo de calor.
 - Voltaje de línea enviado a la salida del termostato.
- El termostato requiere calor o El interruptor del termostato está puesto en manual.
 - El interruptor selector del termostato envía voltaje al terminal "W" del control del calefactor.
 - LED del termostato activado indicando un requerimiento de calor.
 - El voltaje de línea se envía al control del quemador desde "PSO" del control del calefactor a través de interruptores limitadores.
 - Voltaje de línea regresado a "PSI" en el control del calefactor.
 - El control del quemador realiza una prueba de los componentes interiores.
 - El voltaje de línea se envía al motor del quemador.
 - El LED de Límite/Purga parpadea
- Circuito interruptor de presión activado.
 - CI230, el circuito se cierra con presión positiva
 - CI500/CI750, circuito abierto con presión positiva
- El motor del quemador realiza una purga previa de 60 segundos.
- El electrodo y la válvula de gas o los solenoides están energizados.
 - La ignición ocurre
- Deja de parpadear el led de Límite/Purga
- Después de un retardo de tiempo preestablecido, la tensión de línea se envía desde "IND" al terminal 0 del relé del motor principal.
 - CI230, 15 segundos
 - CI500/CI750, 30 segundos
- El relé del motor principal se cierra y el motor del soplador se energiza.
 - El led del motor principal se enciende
- El termostato se abre cuando se satisface la demanda de calor.
 - Led del termostato apagado
 - Control del calentador apaga el quemador
- El motor del soplador sigue funcionando (después de la purga)..
 - 180 segundos (CI230)
 - 90 segundos (CI500 / CI750)
 - El led de límite/purga parpadea
- Después de la pospurga, el control del calentador desactivó el motor del soplador.
 - Led de límite apagado
 - Led del motor principal apagado

Motor soplador CI500 / CI750

PROBLEMAS	CAUSA	SOLUCIÓN
La correa se desliza	Poleas desgastadas (las correas sobresalen en las ranuras)	Reemplace las poleas
	Aceite o grasa en la correa	Limpie las poleas o la correa.
La correa se rompe	Instalación incorrecta de la correa La correa se sacó sobre las poleas con herramientas afiladas o en punta.	Coloque correctamente la correa nueva.
La correa se sale de las ranuras de las poleas	El impulsor está mal alineado	Controle y vuelva a alinear
	Ingresa suciedad a las poleas	Extraiga la correa, limpie las poleas
Agrietamiento de las correas	Presencia de suciedad o grasa en la correa o correas viejas	Extraiga la suciedad o reemplace la correa.
La correa se desgasta rápidamente	Poleas desgastadas	Reemplace las poleas
	Suciedad en las poleas	Extraiga la suciedad

LED de estado - Modo calor

Problema	Solución
El voltímetro, el termostato y el LED de límite alto están ENCENDIDOS	Controle ambos límites superiores del quemador, reponer o reemplazar.
Los LED del voltímetro y del termostato están encendidos pero el motor del quemador no arranca.	El interruptor de presión de aire puede estar en la posición cerrada
	Motor del quemador o condensador defectuoso
	Unión de la rueda del ventilador quemador
Solo el voltímetro está encendido.	Si hay un termostato conectado, asegúrese de que el punto de ajuste del termostato esté por encima de la temperatura ambiente. Si no está conectado un termostato, verifique que el interruptor de palanca del termostato esté en MANUAL
Los LED del voltímetro, el termostato y el motor principal están ENCENDIDOS, pero el motor del ventilador no funcionará.	Motor de ventilador principal defectuoso, reemplace el motor
	El tensor de la correa está flojo, ajuste el tensor o reemplácelo.
	Correa rota
	Controlador del calefactor averiado
	Relé en malas condiciones






DIAGNÓSTICO CI230

Comprobación rápida del estado con ledes

Comprobación rápida del estado con ledes

Tecla LED:

○ = Apagado ● = Encendido ☼ = Intermitente

Modos normales	Modos de diagnóstico
DE LLAMA ○  MV ○ ESTADO ○ No hay necesidad de calor ni poder de control.	DE LLAMA ☼  MV ● ESTADO ○ Modo de funcionamiento - señal de llama débil
DE LLAMA ○  MV ○ ESTADO ○ Destello lento - (motor encendido) Purga previa o purga	DE LLAMA ○  MV ○ ESTADO ○ Flash rápido - (3 por segundo) Bloqueo Sin reintento
DE LLAMA ○  MV ● ESTADO ○ Prueba de ignición	DE LLAMA ○  MV ○ ESTADO ○ Destello lento - (motor apagado) Bloqueo con Reintento
DE LLAMA ●  MV ● ESTADO ○ Modo de ejecución - fuerte señal de llama	DE LLAMA ☼  MV ○ ESTADO ○ baja corriente de llama
	DE LLAMA ☼  MV ● ESTADO ○ Fallo de control - reemplazar control
DE LLAMA ○  MV ○ ESTADO ○	Sólo el LED de estado rojo está encendido de manera constante: - Si el motor está apagado = el interruptor de presión de aire está cerrado. - Si el motor está funcionando = esperando a que se cierre el interruptor de presión de aire.

Intensidad de la señal de llama

- Led de llama encendido = Corriente de llama fuerte
- Led de llama Intermitente = baja corriente de llama
- Led de llama apagado = no se detecta señal de llama

Señal de flujo baja o nula

- Asegúrese de que todas las conexiones estén limpias y libres de corrosión o acumulación.
- Compruebe la continuidad del cable de conexión a tierra y cable sensor.
- El control, el electrodo y el sensor de llama deben tener una conexión a tierra común con el quemador para una adecuada operación.
- Compruebe la cerámica en la varilla de llama y busque cachaduras o grietas, reemplácelas si es necesario.

Restablecer desde el bloqueo – No reintentar

- Presione y suelte el botón rojo Status/Reset mientras el control está alimentado.

DIAGNÓSTICO DE CI500 / CI750

El controlador del quemador cuenta con diagnósticos que identifican la causa del mal funcionamiento del calentador. Para utilizar la función espere al menos 10 segundos después de que el calefactor detenga su operación. Presione y mantenga presionado el botón de restablecimiento durante más de 3 segundos. Un pulso de luz amarilla le indicará que la operación ha terminado. Suelte el botón cuando empiece el pulso de luz amarillos. La caja de control generará una secuencia de pulsos (con una separación de 1 segundo) para identificar la avería que se ha producido. Consulte la página 33 para el patrón de diagnóstico.

El controlador solo proporcionará los diagnósticos cuando el interruptor selección está en HEAT. 🔥

NO deje el calentador en modo de diagnóstico una vez que el diagnóstico haya sido determinado. El motor principal se reiniciará después de 90 segundos"

CI500 / CI750 Diagnósticos

* El ventilador del quemador funcionó durante 1 minuto, patrón de destellos observado después de restablecer el botón de bloqueo.

PROBLEMAS	CAUSA	SOLUCIÓN
2 veces	El solenoide no se abrió	Controle la energía al solenoide
		Solenoide defectuoso, reemplácelo.
	El solenoide se abre pero no se detecta ni se enciende el gas	Abra todas las válvulas de cierra manual
		Aumente la presión del gas
		Aire en el suministro de gas. Purgue el aire
		Circuito impreso defectuoso del quemador
	El encendido se produce, luego se apaga	Revise el cable del encendedor
		Revise la separación del encendedor
		Controle la ubicación del sensor de llama
		Problema por falla de conexión a tierra, conexión a tierra defectuosa
		Polaridad eléctrica inapropiada
		El sensor de llama está en contacto con el metal.
	El solenoide se abre, se detecta el gas pero no lo enciende	Controle el cable del encendedor
		Controle la distancia del encendedor
		Aislante roto en el encendedor
		Transformador de ignición defectuoso
No hay suministro de energía al transforma		

CI500 / CI750 Diagnósticos

PROBLEMAS	CAUSA	SOLUCIÓN
3 veces	Ventilador del quemador operado durante menos de 1 minuto	Controle la manguera del conmutador de accionamiento neumático para determinar si las conexiones están ajustadas o si está doblada
		Revise el interruptor de presión para comprobar que las conexiones eléctricas estén correctamente realizadas.
		La manguera del conmutador de accionamiento neumático debe estar en la lengüeta (+) del interruptor
		Motor defectuoso
		Cabezal del quemador desajustado Asegúrese de que el cabezal del quemador esté correctamente ajustado, según el ajuste recomendado.
	El quemador se enciende, pero falla después de varios minutos.	Suministro eléctrico defectuoso
		Baja tensión
	El motor del quemador hace un zumbido	Controle la conexión del capacitor
		Capacitor defectuoso, reemplácelo.
		Motor defectuoso
	El motor del quemador no se enciende después de 5 segundos	No hay energía al conmutador de accionamiento neumático
		Interruptor de presión de aire
El tubo del ventilador está obstruido o se produce una corriente descendente en el tubo de ventilación.		
Cableado incorrecto hacia el motor		
Motor defectuoso		
El tubo del interruptor de presión está bloqueado.		

PROBLEMAS	CAUSA	SOLUCIÓN
7 veces	Se pierde la detección de la llama después del encendido.	Conexión a tierra defectuosa
		Suministro de gas propano de tamaño incorrecto
10 veces	Motor defectuoso	Reemplace el motor.
	Controlador del quemador defectuoso	Reemplace el controlador del quemador.
No hay destellos.	El quemador no se enciende.	Asegúrese de que el suministro eléctrico sea correcto; revise todos los disyuntores.
		Se disparó uno de los interruptores de seguridad de alta temperatura.
		El fusible de la línea está quemado o no está conectado.
		Controlador del quemador defectuoso.
La luz destella alternadamente con colores rojo y amarillo después del encendido.	Suministro de tensión incorrecto al calentador.	Asegúrese de que el calentador reciba el voltaje adecuado.

* Desconectar la energía al controlador del tablero de circuitos del quemador no restablece el controlador del quemador.

Resolución de problemas del modo de ventilación

El motor no funciona	Verifique si hay energía hacia el motor del ventilador
	Relé del motor en malas condiciones
	Conexiones eléctricas en malas condiciones
El motor hace un zumbido, no funciona	Controle si el ventilador está atascado o si el capacitor está defectuoso

Conexión eléctrica/diagrama de escalera CI230

COMPONENT CODE KEY

- AHL: Auto High Limit/Réinitialisation automatique/Réinicio automático
- BC: Burner Control/Contrôle du brûleur/Control del quemador
- BM: Burner motor/moteur du brûleur/Motor del quemador
- DC: Deutsch Connector/Connecteur Deutsch/Conector Deutsch
- F: Fuse ZAFusible ZA
- FS: Flame Sense/Sense de la flamme/Sentido de la llama
- GY: Gas Valve/Souppape de gaz/Valvula de gas/Valvula de gas
- HC: Heater Control/Contrôle de l'appareil de chauffage/Control del calentador

HLS LED: High limit switch /LEDEL del interruptor haute température/LED de interruptor de límite alto

HM: Hour Meter/Compteur heures/Medidor de hora

IG: Igniter/Allumeur/Encendedor

IT: Ignition transformer/Transformateur d'allumage/Transformador del encendedor

MM: Main motor/ventilateur principal/motor principal

MBR: Main burner relay/Rélais du brûleur principal/Réle principal del quemador

MF LED: Main fan LED/ventilateur principal LED/luz principal del ventilador

MFR: Main fan relay/Rélais du ventilateur principal/Réle del ventilador principal

MHL: Manual high limit/Réinitialisation manuelle/Réinicio manual

PC: Power cord/Cordon d'alimentation/Cable de alimentación

PS: Pressure switch/Pressestat/Presostato

PWS: Power Supply Source De Courant/ Fuentes De Alimentación

QC: Quick connect/Passerol reparacion/Conexión rápida

R: Relay/Relais (es un número)/Relé (es número)

SC: Splice connector/Capuchon de connexion/Conector de cable

SS: Selector switch/Interrupteur du sélectionneur/Selector

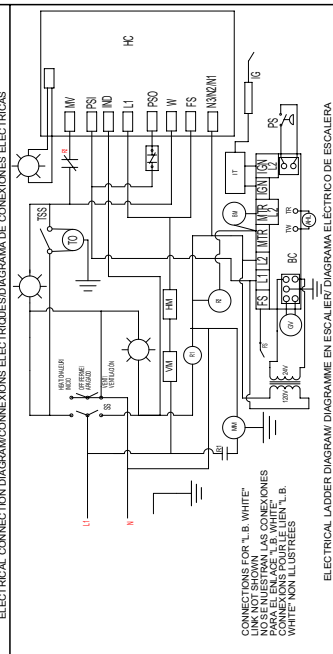
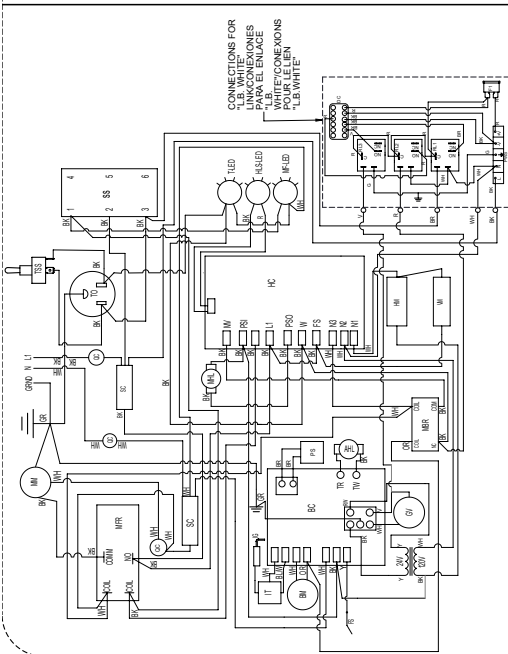
T LED: Thermostat LED/thermostat La DEL/LED termostato

TC: Thermostat selector switch/Interrupteur de sélection du thermostat/Interruptor selector del termostato

VM: Volt meter/Voltmètre/Voltímetro

WIRE COLOR CODE KEY

- BK: Black/Noir/Negro
- BL: Blue/Bleu/Azul
- BR: Brown/Brun/Marrón
- GR: Green/Vert/Verde
- OR: Orange/Orange/Oro
- R: Red/Rouge/Rojo
- RW: Red White Stripe/Rayure Blanche/Rojo y Blanca Rayada
- W: White/Blanc/Blanco
- Y: Yellow/Jaune/Amarillo



CONNECTIONS FOR "L.B. WHITE" / LES LIENES POUR LE BLANC "L.B. WHITE"

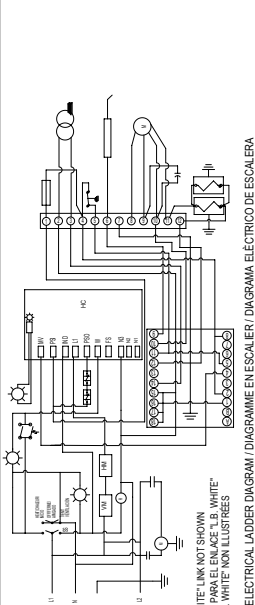
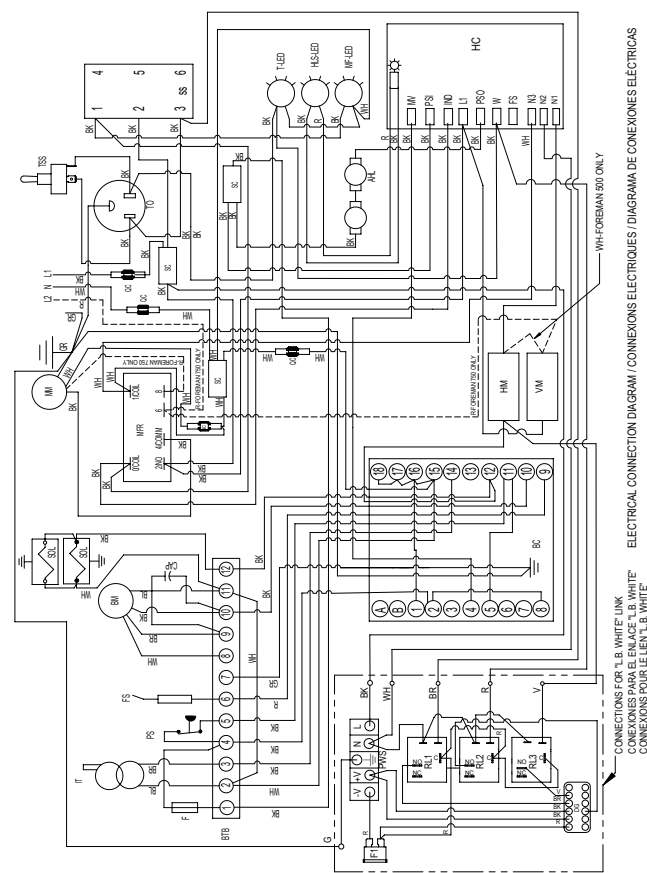
IF ANY OF THE ORIGINAL WIRING AS SUPPLIED WITH THE HEATER MUST BE REPLACED, IT MUST BE REPLACED WITH WIRING MATERIAL HAVING A TEMPERATURE RATING OF AT LEAST 302°F (150°C) / SI SE DEBE CAMBIAR CUALQUIER CABLE ORIGINAL PROPORCIONADO CON EL APARATO, SE DEBE CAMBIAR POR UN CABLE CON UNA CLASIFICACION DE TEMPERATURA DE AL MENOS 302°F (150°C)

ELECTRICAL CONNECTIONS DIAGRAM/CONEXIONES ELECTRIQUES/DIAGRAMA DE CONEXIONES ELECTRICAS

16-22222-02

Conexión eléctrica/diagrama de escalera CI500 / CI750

- COMPONENT CODE KEY**
- AHL: Auto High Limit/Inhalation automatico/Inerco automatico
 - BC: Burner Control/Control de brñador
 - BM: Burner motor/Motor de brñador
 - BTS: Burner Terminal Block/Bornes de brñador/Block de terminales del brñador
 - CAP: Capacitor/Condensador/Condensador
 - DC: Deutsch Connector/Conector Deutsch
 - F1: Fuse 2A/Cable 2A
 - FS: Flame sensor/Detector de llama
 - HC: High Limit Switch/Control del calentador
 - HLS LED: High Limit Switch LED/LED de limite alto
 - HM: Hour Meter/Contador Horario
 - IT: Ignition transformer/Transformador encendedor
 - MM: Main motor/Ventilador principal
 - MHL: Main Limit Switch/Interruptor manual/Remiso manual
 - MFR: Main fan relay/Relais de ventilador principal
 - MF LED: Main fan LED/Ventilador principal LED
 - PMS: Power Switch/Interruptor de corriente
 - OC: Quick connect/Conector rapido
 - SC: Solenoid/Conector de cable
 - SOL: Solenoid/Solenoides/Solenoides
 - SS: Sensor/Sensor/Sensor
 - RL: Relay/Relay/Relay
 - T-LED: Thermostat LED/LED de Termostato
 - TSS: Thermostat Switch/Interruptor de Termostato
 - VM: Volt Meter/Voltmetro
 - WN: Wire Nut/Tuerca de alambre
 - ECou: Earth Ground/Conexión a tierra
- WIRE COLOR CODE KEY**
- BK: Black/Noir/Negro
 - BL: Blue/Azul
 - BR: Brown/Marron
 - G: Green/Verde
 - O: Orange/Naranja
 - R: Red/Rojo/Rojo
 - WH: White/Blanco
 - Y: Yellow/Amarillo



ELECTRICAL CONNECTION DIAGRAM / CONEXIONES ELECTRICAS / DIAGRAMA DE CONEXIONES ELECTRICAS

ELECTRICAL LADDER DIAGRAM / DIAGRAMME EN ESCALIER / DIAGRAMA ELECTRICO DE ESCALERA

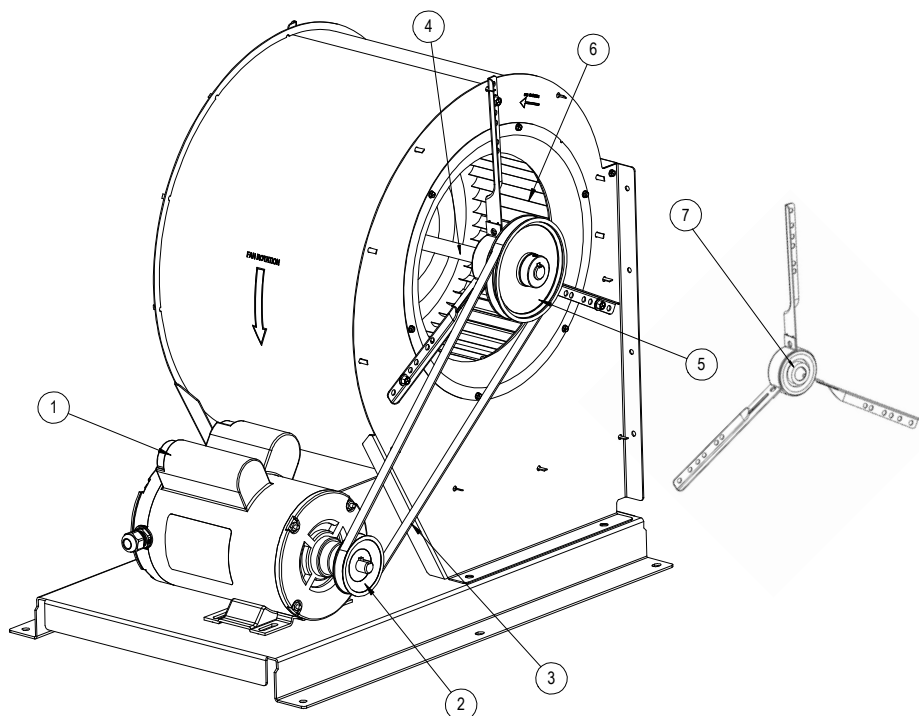
CONNECTIONS FOR L.B. WHITE LINK
CONEXIONES PARA EL ENLACE "L.B. WHITE"
CONEXIONES POUR LE LIEN "L.B. WHITE"

CONNECTIONS FOR L.B. WHITE LINK NOT SHOWN
NO SE MUESTRAN LAS CONEXIONES PARA EL ENLACE "L.B. WHITE"
CONEXIONES POUR LE LIEN "L.B. WHITE" NON ILLUSTREES

IF ANY OF THE ORIGINAL WIRING AS SUPPLIED WITH THE HEATER MUST BE REPLACED, IT MUST BE REPLACED WITH WIRING MATERIAL HAVING A TEMPERATURE RATING OF AT LEAST 302 F (150° C).
SI SE DEBE CAMBIAR CUALQUIER CABLE ORIGINAL PROPORCIONADO CON EL APARATO, SE DEBE CAMBIAR POR UN CABLE CON UNA CLASIFICACION DE TEMPERATURA DE AL MENOS 302 F (150° C).

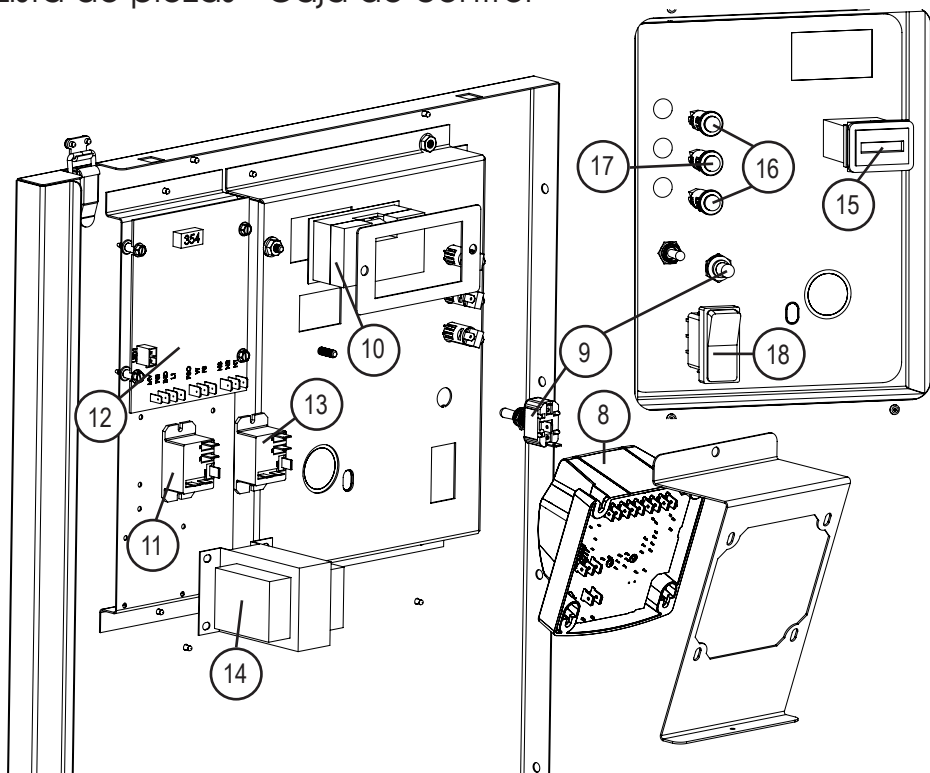
Lista de piezas - Motor del ventilador / Rueda del ventilador

Se muestra la configuración del soplador CI500/CI750



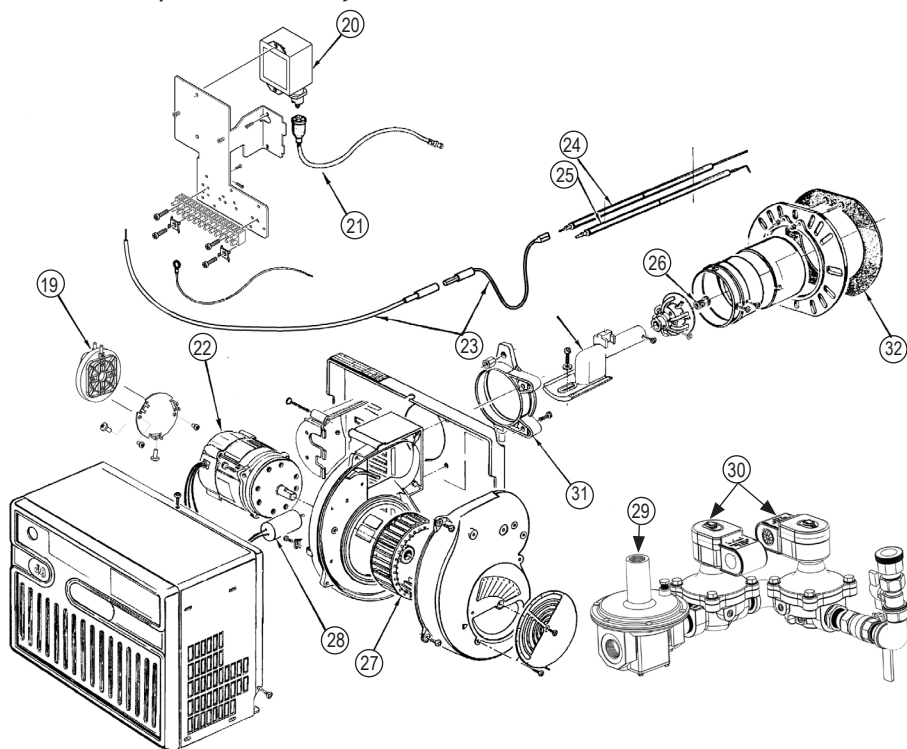
Item	Description	CI230	CI500	CI750
1	Motor	574120	573565	573686
2	Polea, motor	--	573569	573683
3	Correa	--	573552	574164
4	Eje, conjunto del ventilador	--	573572	
5	Polea	--	573573	573684
6	Rueda, ventilador de	574123	573581	573694
7	Cojinete, cartucho de goma	--	573696	

Lista de piezas - Caja de control



Item	Description	C1230	C1500	C1750
8	Control de ignición para el quemador	574118	573554	
9	Conmutador, Interruptor con arranque		571906	
10	Medidor de voltaje		573947	
11	Relé, MFR, 120VAC coil	574253		570221
12	Control para el motor principal de ventilador		573553	
13	Relé, MBR, 120VAC coil	574253		--
14	Transformador	574117		--
15	Medidor de horas		574121	
16	LED, Snap in, Verde, 120v		573770	
17	LED, Snap in, Rojo, 120v		573564	
18	Interruptor, balancin		574122	

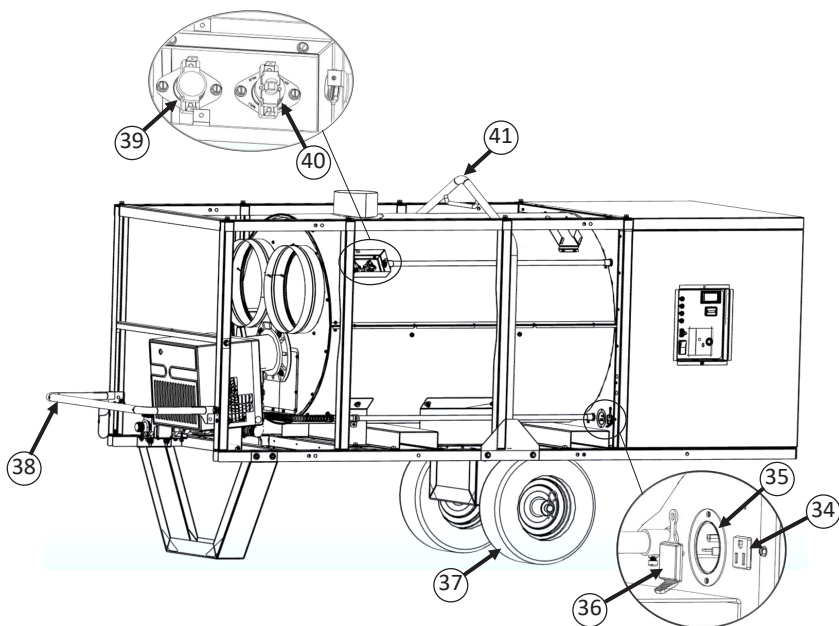
Lista de piezas - Caja de control



Item	Description	CI230	CI500	CI750
19	Conmutador de accionamiento neumático	574113		573574
20	Transformador, encendido	574112		573563
21	Cable, encendido	--		573555
22	Motor, quemador	574110		573566
23	Cable, sensor de llama	--		573583
24	Sonda, sensor de llama	574114		573571
25	Encendedor	574115		573562
26	Orificio, quemador	--	573567	573709
27	Turbina	574111	573582	
28	Capacitor, 20µF	--		573556
29	Regulador, 1" NPT	--		573578
30	Válvula, Solenoide	574116		573579
31	Collar, montaje en chasis, Riello	--		573672
32	Junta, fibra, quemador, Riello	--		573673
33*	Junta, tubo del quemador a la cámara de combustión		573776	

* No ilustrado

Lista de piezas - Componentes del chasis



Ítem	Description	CI230	CI500	CI750
34	Receptáculo, NEMA, CA hembra, a presión		573570	
35	Entrada, bridada, hoja recta, NEMA	574125	574126	574127
36	Tapa, Toma Eléctrica	574138		
37	Turbina, 16" Diám.	573991	573581	
38	Asa, elevación	574428	573560	
39	Interruptor, límite, quemador, restablecimiento auto, 190° F	573575		
40	Interruptor, límite superior, 250° F	571671		
41	Asa, elevación, bala	574139	573561	
42**	Termostato c/ cable de 25 pies*	500-30125		
43**	Panel, trasero	574129	574130	
44**	Cobertura, límite alto	574101		
45**	Cubierta, Válvula de Gas, Foreman 230	574277	NA	

* Accesorios opcionales

** No ilustrado

Política de garantía

CALEFACTOR

L.B. White Co., LLC garantiza que las piezas componentes de su calefactor están libres de defectos de material y de mano de obra, cuando se las instala, hace funcionar y mantiene apropiadamente siguiendo las Instrucciones de instalación y de mantenimiento, las guías de seguridad, y las etiquetas de cada unidad. Si, dentro de los 24 meses de la fecha de compra por el usuario final, se encuentra que algún componente está defectuoso, L.B. White Co., LLC, según su criterio, reparará o reemplazará la pieza defectuosa o el calefactor con una pieza o calefactor nuevos, FOB, Onalaska, Wisconsin.

Al registrar su producto en línea con L.B. White habilitará automáticamente una unidad y sus piezas componentes para la garantía. Si un producto no ha sido registrado con L.B. White, se requerirá una copia de la factura de venta para establecer una calificación de garantía. Si nada de lo anterior está disponible, el período de garantía será de 24 meses desde la fecha del envío por parte de L.B. White.

PIEZAS

L.B. White Co., LLC garantiza que las piezas de repuesto compradas a la compañía y usadas en el correspondiente equipo L.B. White están libres de defectos tanto de materiales como de mano de obra durante 12 meses desde la fecha de compra por el usuario final. La garantía es automática si se encuentra que un componente está defectuoso dentro de los 12 meses del código de fecha marcado en la pieza. Si el defecto ocurre más de 12 meses después del código de fecha pero dentro de los 12 meses de la fecha de compra por el usuario final, se solicitará una copia de la factura de venta para que quede habilitada la garantía.

La garantía descrita arriba es la garantía exclusiva otorgada por L.B. White, y todas otras garantías, incluida cualquier garantía implícita o comerciabilidad o idoneidad para un propósito en particular, son expresamente denegadas. En el caso de cualquier garantía implícita que no esté eficazmente denegada aquí por efecto de la ley, tal garantía implícita está limitada en tiempo a la duración de la correspondiente garantía mencionada arriba. Los recursos establecidos arriba son los únicos y exclusivos recursos disponibles conforme a la presente. L.B. White no será responsable por ninguno de

los daños y perjuicios incidentales o emergentes directa o indirectamente relacionados con la venta, manipulación o uso del equipo, y en todo caso la responsabilidad de L.B. White con respecto al equipo, incluidos reclamos basados en negligencia o responsabilidad estricta, está limitada al precio de compra.

Algunos estados no permiten limitaciones en relación a cuánto tiempo dura una garantía implícita; por lo tanto, la limitación de arriba podría no aplicarse a usted.

Algunos estados no permiten la exclusión o limitación de daños y perjuicios incidentales o emergentes; por lo tanto, la limitación o exclusión de arriba podría no aplicarse a usted. Esta garantía le otorga derechos legales específicos, y usted también podría tener otros derechos que varían de estado a estado. Para registrar su producto y asegurarse la garantía completa, visite:

http://www.lbwhite.com/customer_care_center/product-registration/. Por favor, tenga a mano el número o los números de serie y modelo(s) de los productos que está registrando.

Mantenimiento

Póngase en contacto con su distribuidor de L.B. White local para obtener repuestos y mantenimiento. También puede llamar a L.B. White Co., LLC al 1-800-345-7200, para recibir ayuda, o enviar un correo electrónico a customerservice@lbwhite.com.

Cuando llame, asegúrese de que tiene el número de modelo del calefactor y el número de configuración.



PROVEEDOR MUNDIAL - SOLUCIONES CLIMÁTICAS INNOVADORAS

411 Mason Street, Onalaska, WI 54650

800-345-7200 • 608-783-5691

608-783-6115 (fax)

www.lbwhite.com



Foreman

Fornaise gainable
bicarburants à
chauffage indirect

CI230	230,000 BTUH / 67.41 kW
CI500	500,000 Btuh / 146.54 kW
CI750	750,000 Btuh / 219.8 kW

Soutirage de la vapeur des gaz de pétrole liquéfiés ou du gaz naturel

Consulter ce manuel en ligne à l'adresse www.lbwhite.com

Attention

Cet appareil a été testé et évalué par les laboratoires d'essais OMNI conformément aux exigences de la norme ANSI Z83.7-2017•CSA 2.14-2017 et il est coté et approuvé à titre de fournaise gainable de chauffage de construction à air pulsé à circulation indirecte alimentée au gaz avec une application pour le chauffage temporaire de bâtiments en cours de construction, de rénovation ou de réparation.

VÉRIFIER AVEC VOTRE SERVICE D'INCENDIE LOCAL, VOTRE FOURNISSEUR GAZ COMBUSTIBLE LOCAL, OU LA SOCIÉTÉ L.B. WHITE POUR TOUTES QUESTIONS CONCERNANT LES APPLICATIONS.

www.lbwhite.com

CONSULTER
LES INSTRUCTIONS
D'ASSEMBLAGE
À L'INTÉRIEUR

Veuillez vous référer à l'information d'élevation se trouvant sur la face intérieure de la couverture.



N° de rapport : 0545GH0015



Félicitations!

Vous avez acheté la meilleure fournaise à flux de chaleur disponible. Votre nouvelle fournaise L.B. Le radiateur blanc intègre les avantages du fabricant de produits de chauffage le plus expérimenté qui utilise une technologie de pointe.

L'équipe de L.B. White, vous remercie de la confiance que vous accordez à nos produits et indique qu'elle est ouverte à vos suggestions ou vos commentaires, pour se faire, communiquez avec nous sans frais au 1 800-345-7200.

REMARQUER

Les instructions d'installation contenues dans ce document sont celles de L.B. White Co., LLC. recommandations et directives suggérées pour l'installation temporaire ou permanente du L.B. White Co., LLC. chauffages. Les exigences des codes électriques et de sécurité nationaux, locaux et nationaux remplacent ces directives.



NUMÉRISER CECI
avec votre téléphone intelligent ou
Visiter le site <http://goo.gl/nvneR>
pour y voir des vidéos d'entretien
pour les fournaises L.B. White*.

* Nécessite une application
comme QR Droid pour Android
ou iPhone

TABLE DES MATIÈRES

Spécifications	4
Informations générales et aperçu	5
Précautions de sécurité	6
Instructions générales d'installation.....	11
Module L.B. White LINK	12
Tuyau de gaz et régulateur.....	14
Instructions de démarrage.....	17
Instructions d'arrêt.....	18
Instructions de nettoyage et d'entretien.....	19
Instructions d'entretien	20
Dépannage	30
Câblage électrique et schéma en échelle.....	36
Liste des pièces.....	38
Politique de garantie.....	42



AVERTISSEMENT

Les produits standard sont fabriqués pour fonctionner de façon optimale à des altitudes comprises entre 0 et 610 m (0 et 2 000 pieds) au-dessus du niveau de la mer.

En cas d'utilisation à des altitudes plus élevées, le produit ne fonctionnera pas correctement et pourrait même devenir dangereux.

Des produits offrant un fonctionnement adéquat pour convenir à des niveaux d'altitude différents peuvent être disponibles.

Si vous avez besoin d'un produit pour haute altitude, que vous ne l'avez pas précisé au moment de la commande ou que la boîte de cet appareil ne comportait aucune étiquette de désignation de l'altitude, communiquer avec l'équipe de l'assurance technique.

**AVERTISSEMENT GÉNÉRAL**

Le non-respect des précautions et des instructions fournies avec cet appareil peut se traduire par :

- La mort
- Des blessures graves ou des brûlures
- Des pertes matérielles ou des dommages matériels causés par un incendie ou une explosion
- L'asphyxie en raison d'un manque d'approvisionnement d'air adéquat ou d'un empoisonnement au monoxyde de carbone
- Décharge électrique
 - Lire le manuel du propriétaire avant d'installer ou d'utiliser cet appareil.
 - Seul du personnel d'entretien correctement formé doit réparer ou installer cette fournaise.
 - Conserver le manuel du propriétaire pour une utilisation et des références ultérieures.
 - Les manuels du propriétaire et des étiquettes de remplacement sont disponibles sans frais. Pour obtenir de l'aide, communiquez avec L.B. White au 1 800 345-7200.

**AVERTISSEMENT**

- Une pression d'alimentation en gaz adéquate doit être fournie à l'entrée de la fournaise.
- Reportez-vous à la plaque de données pour connaître la pression d'alimentation en gaz.
- Une pression de gaz supérieure à la pression d'entrée maximale précisée à l'entrée de la fournaise peut provoquer des incendies ou des explosions.
- Des incendies ou des explosions peuvent entraîner des blessures graves voire mortelles, ou des dommages mobiliers.
- Une pression de gaz inférieure à la pression d'entrée minimale précisée à l'entrée de la fournaise peut provoquer une mauvaise combustion.
- Une mauvaise combustion peut mener à l'asphyxie ou à l'empoisonnement au monoxyde de carbone et des blessures graves voire mortelles.

**AVERTISSEMENT****Incendie et explosion**

- Garder les combustibles solides à une distance sécuritaire de la fournaise.
- Parmi les combustibles solides, on trouve le bois, les produits de papier, les plumes, la paille et la poussière.
- Ne pas utiliser l'appareil dans des espaces qui contiennent ou qui peuvent contenir des combustibles volatils ou en suspension dans l'air, ou de gaz inflammables.
- Parmi les combustibles et les gaz inflammables volatils ou en suspension, on trouve les grisous, l'essence, les solvants, les diluants à peinture, les particules de poussière ou les produits chimiques inconnus.
- Le non-respect de ces instructions peut entraîner un incendie ou une explosion.
- Les incendies et les explosions peuvent causer des dommages matériels, des blessures voire la mort.

**AVERTISSEMENT****Incendie et explosion**

- Non destiné à un usage domestique ou un usage sur un véhicule récréatif.
- L'installation de cette fournaise dans une maison ou un véhicule récréatif peut provoquer un incendie ou une explosion.
- Les incendies et les explosions peuvent causer des dommages matériels et la mort.

POUR VOTRE SÉCURITÉ

Ne pas entreposer ou utiliser de l'essence ou d'autres vapeurs et liquides inflammables à proximité de cet appareil ou de tout autre appareil.

POUR VOTRE SÉCURITÉ

Si vous sentez une odeur de gaz :

1. Ouvrir les fenêtres.
2. Ne pas toucher aux interrupteurs électriques.
3. Éteindre toute flamme nue.
4. Appeler immédiatement votre fournisseur de gaz.

		CI230		CI500		CI750	
Type de carburant		Gaz de pétrole liquéfiés Soutirage de la vapeur	Gaz naturel	Gaz de pétrole liquéfiés Soutirage de la vapeur	Gaz naturel	Gaz de pétrole liquéfiés Soutirage de la vapeur	Gaz naturel
Entrée maximale (BTU/h/kWh)		230,000 / 67.4		500,000 / 146.5		750,000 / 219.8	
Pression d'alimentation en gaz acceptable à l'entrée de la fournaise à des fins d'ajustement de l'entrée (po de colonne d'eau/kPa)		MAX. 13.5 / 3.36 MIN. 7.0 / 1.7		MAX. 13.5/3.36 MIN. 8.0/2.0			
Pression d'admission du brûleur (po de colonne d'eau/kPa)		3.7 / 0.92	3.6 / 0.90	3.0 / 0.75	4.6 / 1.14	2.8 / 0.70	3.4 / 0.85
Consommation de carburant par heure		10.7 lbs / 4.8 kg	230 ft3 / 6.5 m3	23 lbs. / 10.4 kg	500 ft3 / 14.2 m3	34.8 lbs. / 15.8 kg	750 ft.3 / 21.2 m3
Caractéristiques du moteur		Roulement à billes, 0.5 H.P. / 373 Watts, 1725 tr/min		Roulement à billes, 1.5 H.P./ 1,119 Watts, 1725 tr/min		Roulement à billes, 2 HP / 1,491 Watts, 1725 tr/min	
Vitesse du ventilateur (tr/min)		1725		1000			
Alimentation électrique (Volts/Hz/Phasée)		120 / 60 / 1		120 / 60 / 1		240 / 60 / 1	
Consommation en ampère	Au démarrage	32		35			
	Fonctionnement continu	9.0		14.8		12.0	
Dimensions (pouces/cm) L x P x H		23.7 x 10.5 x 17.0 / 60.2 x 26.7 x 43.4		92.5 x 32 x 44.5 / 235 x 81.3 x 113			
Distances minimales de sécurité des plus proches matériaux combustibles (pieds/mètres)	Dessus	3.0 / 0.91					
	Côtés	1.0 / 0.30					
	Arrière	3.0 / 0.91					
	Sortie du ventilateur	6.0 / 1.83					
	Tuyau à fumée	3.0 / 0.91					
Bonbonne d'alimentation de gaz propane (pieds/mètres)	É.-U.	6.0 / 1.83					
	Canada	10.0 / 3.05					
Température ambiante minimale dans laquelle la fournaise peut être utilisée (°F/°C)		-20 / -29					
Poids net (lbs. / kg)		307 / 139.5		655 / 297.1		670 / 303.9	

Informations générales et vue d'ensemble

Ce manuel du propriétaire comprend des accessoires fréquemment utilisés avec cette fournaise. Ces accessoires doivent être commandés séparément.

Lors d'un appel de service technique, ou pour obtenir toute autre information précise, **toujours** avoir le numéro de modèle, le numéro de configuration et le numéro de série sous la main. Cette information est inscrite sur la plaque signalétique.

Ce manuel vous présente le fonctionnement et l'entretien de votre appareil. Lire ce manuel avec votre installateur afin de vous assurer de bien comprendre la fournaise et son fonctionnement.

Communiquez avec votre distributeur L.B. L.B. White local ou L.B. White Co., LLC pour obtenir de l'aide, ou si vous avez des questions sur l'utilisation de l'équipement ou de son application.

La société L.B. White Co., LLC dispose d'une politique d'amélioration continue de ses produits. La société se réserve le droit de modifier les spécifications et la conception sans préavis.

La fournaise est munie d'un ensemble de brûleur. L'ensemble comprend un allumeur électronique, des robinets électromagnétiques et la tête du brûleur avec orifice. Lorsque la fournaise est allumée, l'allumeur produira une étincelle tandis que du gaz est livré à travers les solénoïdes de l'orifice du brûleur. L'allumage se produira.

Le brûleur fera chauffer l'échangeur thermique. Après un laps de temps prédéterminé, un contrôleur de ventilateur activera le moteur du ventilateur principal et soufflera de l'air frais sur l'échangeur thermique. L'air frais sera préchauffé en passant sur l'échangeur thermique, et de l'air chaud et sec sera livré dans la zone à chauffer.

Les sous-produits de combustion créés au cours du processus de chauffage seront directement transférés à l'extérieur au moyen d'une colonne de ventilation, procurant ainsi uniquement de l'air propre et sec dans la zone chauffée.

Lorsque la fournaise est éteinte, les robinets électromagnétiques se ferment, coupant ainsi le gaz se rendant au brûleur. Le contrôleur du ventilateur continuera à faire fonctionner le moteur du ventilateur principal pendant une période de temps prédéterminée pour permettre à l'échangeur thermique de refroidir. Une fois ce laps de temps écoulé, le contrôleur de ventilateur déconnectera l'alimentation du moteur du ventilateur, désactivant ainsi complètement le moteur du ventilateur.

Consignes de sécurité



AVERTISSEMENT

Danger lié à la qualité de l'air

- N'utilisez pas cette fournaise pour chauffer des locaux d'habitation.
- L'utilisation de fournaises à combustion directe dans un environnement de construction peut entraîner l'exposition à des niveaux de monoxyde de carbone, de dioxyde de carbone, et de dioxyde d'azote considérés nocifs pour la santé et potentiellement mortels.
- Ne pas utiliser dans des zones non ventilées.
- Apprendre à reconnaître les signes d'intoxication au monoxyde de carbone, de dioxyde de carbone
 - Maux de tête, yeux qui piquent.
 - Vertiges, désorientation.
 - Difficulté à respirer, sensation d'étouffement.
- Afin de soutenir la combustion et de maintenir une qualité d'air acceptable, un échangeur d'air de ventilation approprié (OSHA 29 CFR 1926.57) doit être fourni conformément à la provision OSHA 29 CFR partie 1926.154, de l'Administration de la sécurité et de l'hygiène du travail des États-Unis (OSHA), à la norme ANSI A10.10, Exigences relatives aux appareils et appareils de chauffage des locaux temporaires et portatifs utilisés dans l'industrie de la construction de l'Association américaine de normalisation ou aux codes d'installation du gaz naturel et du propane CSA B149.1 de l'Association canadienne de normalisation.
 - Surveiller périodiquement les niveaux de monoxyde de carbone, de dioxyde de carbone et de dioxyde d'azote sur le chantier de construction, au moins au début du quart de travail et après 4 heures.
 - Le cas échéant, assurer un échange d'air de ventilation, naturel ou mécanique, afin de maintenir une qualité d'air intérieur acceptable.

États-Unis 8 h, moyenne pondérée en fonction du temps
(OSHA 29 CFR 1926.55 App A)

CO 50 ppm
CO2 5 000 ppm
NO2

É.-U. – Hauteur limite du plafond
(Limite d'exposition à court terme = 15 minutes)

CO
CO2
NO2 5 ppm

Canada 8 h moyenne pondérée en fonction du temps Directives sur la santé et la sécurité au travail de WorkSafe BC, section 5.1 et la Réglementation 833 de l'Ontario relative aux lieux de travail

25 ppm
5 000 ppm
3 ppm (Rég. 833)

Canada STEL (15 minutes Rég. 833/1 h WSBC) Directives sur la santé et la sécurité au travail de WorkSafe BC, section 5.1 et Réglementation sur les lieux de travail de l'Ontario, 833

100 ppm
15 000 ppm (WSBC)
30 000 ppm (Rég. 833)
1,0 ppm (WorkSafeBC)
5,0 ppm (Rég. 833)

- Assurez-vous que le débit d'échange d'air de combustion et de ventilation ne peut pas être obstrué.
- La ventilation peut devoir être augmentée au fur et à mesure que le bâtiment se « resserre » pendant les phases de construction.

Odeur de gaz combustible

Des odorants artificiels sont ajoutés au gaz propane et au gaz naturel précisément pour permettre la détection de fuites de gaz combustible.

Si une fuite de gaz combustible se produit, vous devriez être en mesure de la sentir .

C'EST VOTRE SIGNAL DE PRENDRE IMMÉDIATEMENT DES MESURES!

- Ne rien faire qui pourrait enflammer le gaz combustible. Ne pas faire fonctionner les commutateurs électriques. Ne pas tirer sur les câbles d'alimentation ou les rallonges. Ne pas allumer d'allumettes ou toute autre source de flamme. Ne pas utiliser votre téléphone.
- Évacuer tout le bâtiment et éloigner immédiatement les gens de la zone.
- Fermer tous les robinets d'alimentation en carburant.
- Le gaz propane est plus lourd que l'air et peut se déposer au sol. Lorsque vous avez des raisons de soupçonner une fuite de propane, rester à l'écart de toutes les zones basses.
- Utiliser le téléphone de votre voisin et appeler votre fournisseur de gaz ainsi que votre service d'incendie. Ne pas entrer de nouveau dans le bâtiment ou la zone.
- Rester à l'extérieur du bâtiment et demeurer à l'écart de la zone jusqu'à ce qu'ils soient déclarés sûrs par les pompiers et par votre fournisseur de gaz combustible.
- ENFIN, laisser le technicien en gaz combustible et les pompiers vérifier d'où le gaz s'échappe. Leur demander d'aérer le bâtiment et la zone avant d'y retourner. Un technicien correctement formé doit réparer la fuite, vérifier s'il y a d'autres fuites, puis rallumer la fournaise pour vous.

Dissipation de l'odeur- Aucune odeur détectée

- Certaines personnes ne peuvent pas bien sentir. Certaines personnes peuvent ne pas sentir l'odeur du produit chimique artificiel ajouté au gaz propane ou au gaz naturel. Vous devez déterminer si vous pouvez sentir la substance odorante se trouvant dans ces gaz combustibles.
- Apprendre à reconnaître l'odeur du gaz propane et du gaz naturel. Les revendeurs locaux de gaz propane et votre fournisseur local de gaz naturel (service public) seront plus qu'heureux de vous donner un dépliant « Grattez et sentez » Utilisez-le pour vous familiariser avec l'odeur de gaz combustible.
- Fumer peut diminuer votre odorat. Être autour d'une odeur pendant une certaine période peut avoir une incidence sur votre sensibilité à cette odeur particulière.
- L'odorant du gaz propane et du gaz naturel est incolore et l'intensité de son odeur peut disparaître dans certaines circonstances.
- S'il y a une fuite souterraine, le mouvement du gaz dans le sol peut filtrer l'odorant.
- À des niveaux différents, l'odeur du gaz propane peut différer en intensité. Puisque le gaz propane est plus lourd que l'air, il peut y avoir plus d'odeurs à des niveaux inférieurs.
- Toujours être sensible à la moindre odeur de gaz. Si vous continuez à détecter une odeur de gaz, et ce, peu importe son importance, traitez-la comme une fuite grave. Passer immédiatement à l'action comme indiqué précédemment.

Attention – Points capitaux à retenir!

- Le gaz propane et le gaz naturel ont une odeur particulière. Apprenez à reconnaître ces odeurs. Se reporter aux rubriques « Odeur du gaz combustible » et « Dissipation de l'odeur ».
- Si vous n'avez pas reçu de formation adéquate en réparation et entretien de fournaises alimentées au gaz propane et au gaz naturel, ne pas tenter d'allumer la fournaise, d'effectuer des réparations ou de faire des ajustements à la fournaise sur un système d'alimentation en gaz propane ou en gaz naturel.
- Même si vous n'êtes pas correctement formé en entretien et réparation d'appareils de chauffage, vous devez TOUJOURS connaître les odeurs de gaz propane et de gaz naturel.
- Un test d'odeur effectué périodiquement autour de la fournaise ou à proximité de ses joints; c.-à-d. le tuyau, les raccords, etc., est une bonne mesure de sécurité à faire en tout temps. Si vous sentez une odeur, et ce peu importe son importance, communiquez IMMÉDIATEMENT AVEC VOTRE FOURNISSEUR DE GAZ COMBUSTIBLE. N'ATTENDEZ PAS!

QUALIFICATIONS NÉCESSAIRES POUR PROCÉDER À L'ENTRETIEN ET À L'INSTALLATION :

1. Ne pas tenter d'installer, de réparer ou d'effectuer la maintenance de cette fournaise ou de la conduite d'alimentation en gaz, sauf si vous avez une formation permanente et des connaissances d'experts des fournaises au gaz.

Les qualifications requises pour procéder à l'entretien et à l'installation de cet équipement sont les suivantes :

- a. Pour être un technicien en entretien et en réparation de fournaise au gaz qualifié, vous devez avoir suivi une formation et disposer de l'expérience suffisante pour gérer tous les aspects de l'installation d'une fournaise au gaz, de son entretien et de sa réparation. Cela comprend l'installation, le dépannage, le remplacement des pièces et des essais de fournaise déféctueuse. Vous devez être en mesure d'assurer que la fournaise est en état de fonctionnement normal et sûr. Vous devez vous familiariser entièrement avec chaque modèle en lisant et en respectant les consignes de sécurité, les étiquettes, le manuel du propriétaire, etc. qui sont fournis avec chaque fournaise.
- b. Pour être un technicien qualifié en installation de fournaise au gaz, vous devez disposer d'une formation et d'une expérience pertinentes pour gérer tous les aspects de l'installation, de la réparation et de la modification des conduites de gaz, y compris la sélection et l'installation de l'équipement approprié, ainsi que la sélection de la dimension adéquate du tuyau et du réservoir devant être utilisés. Cela doit être fait en conformité avec tous les codes locaux, provinciaux et nationaux ainsi qu'avec les exigences du fabricant.

c. Dans le Commonwealth du Massachusetts, ce produit doit être installé par un installateur de gaz agréé dans le Commonwealth du Massachusetts.

2. Toutes les installations et applications des fournaises de LB White doivent répondre à l'intégralité des codes locaux, provinciaux et nationaux pertinents, y compris les codes en matière de gaz naturel, de gaz de pétrole liquéfiés, d'électricité et de sécurité. Votre fournisseur de gaz local, un électricien agréé local, le service d'incendie local, des organismes gouvernementaux semblables ou votre agent d'assurance peuvent vous aider à déterminer ces exigences.

Installations aux États-Unis :

– Norme NFPA 102 en matière de structures d'ensemble de siège, de tentes et de membranes.

– Dernière révision de la norme ANSI A10.0 en matière de sécurité des dispositifs temporaires et portatifs de chauffage et d'équipement utilisés dans l'industrie de la construction.

– Dernière révision de la norme ANSI/NFPA 58 en matière de stockage et de manipulation des gaz de pétrole liquéfiés ou Norme ANSI Z223.1/NFPA 54, National Fuel Gas Code

– ANSI/NFPA 70, National Electrical Code

Installations canadiennes :

– Norme CSA B149.1 du Code d'installation du gaz naturel et du propane.

– Norme CSA C22.1, Code canadien de l'électricité, Partie 1 et norme CSA C22.2 N° 3, Caractéristiques électriques des appareils de combustion.

3. Nous ne pouvons pas prévoir chaque utilisation pouvant être faite de nos fournaises. Pour toutes questions concernant les applications, vérifiez avec votre service d'incendie local.
4. Ne pas laver l'intérieur de la fournaise. Utiliser uniquement de l'air comprimé, une brosse à poils souples ou un chiffon sec pour nettoyer l'intérieur de l'appareil et ses composants.
5. Par mesure de sécurité, cette fournaise est équipée de deux interrupteurs de température élevée pouvant être réinitialisés et un commutateur de pression d'air. Ne jamais faire fonctionner cette fournaise avec un dispositif de sécurité qui a été contourné. Ne pas faire fonctionner cette fournaise à moins que ces caractéristiques soient pleinement opérationnelles.

6. Ne pas placer des récipients de gaz combustible ou des tuyaux d'alimentation en carburant dans les 6 m (20 pi) de la sortie du ventilateur de la fournaise.
7. Ne pas diriger la fournaise vers une bonbonne de gaz propane se trouvant à moins de 6 m (20 pi) de la décharge d'air de la fournaise. Quand une conduite est fixée à la fournaise, un écoulement d'air chaud de la fournaise passe par l'extrémité de la conduite.
8. Ne pas obstruer les entrées ou sorties d'air d'évacuation de la fournaise. Cela peut entraîner une mauvaise combustion ou endommager les composants de la fournaise se traduisant par des dommages matériels.
9. L'ensemble de tuyau doit être inspecté visuellement sur une base quotidienne après la relocation de la fournaise et lorsque l'appareil est en cours d'utilisation. S'il est évident qu'il y a une abrasion ou une usure excessive, ou si le tuyau est coupé, il doit être remplacé avant que la fournaise ne soit mise en service. En cours d'utilisation, l'ensemble du tuyau doit être protégé contre les matériaux de construction et le contact avec des surfaces chaudes. L'ensemble de tuyau doit être celui précisé par le fabricant. Consulter la liste des pièces.
10. Dès l'installation de la fournaise, de sa relocation ou après son entretien, vérifier la présence de fuites de gaz et le bon fonctionnement lors de l'installation de la fournaise. Se reporter aux directives de vérification de fuites dans la section d'installation du présent manuel.
11. Avant toute utilisation et au moins une fois par année, cette fournaise doit être inspectée par un technicien qualifié pour en assurer le bon fonctionnement.
12. Toujours couper l'alimentation en gaz de l'appareil en cas d'inutilisation de la fournaise.
13. La fournaise est branchée avec une mise à la terre pour vous protéger contre le risque d'électrocution et elle doit être branchée directement dans l'alimentation électrique proprement mise à la terre. Ne pas utiliser une alimentation électrique correctement mise à la terre peut provoquer une décharge électrique, des blessures, voire la mort.
14. Si le débit de gaz est interrompu et la flamme s'éteint, ne pas rallumer la fournaise jusqu'à être bien sûr que tout le gaz accumulé se soit dissipé. Dans tous les cas, ne pas rallumer la fournaise pendant au moins 5 minutes.
15. La fournaise nécessite au minimum un réservoir de propane de 1 892 litres/500 gallons pour assurer la pression d'alimentation en gaz adéquate et le bon fonctionnement. Un plus grand réservoir peut être nécessaire en fonction des températures de fonctionnement du site.
16. Lorsque la fournaise doit être stockée à l'intérieur, la connexion entre la bonbonne d'alimentation de gaz propane et la fournaise doit être déconnectée. La bonbonne doit être enlevée de la fournaise et entreposé conformément à la norme NFPA 54 du National Fuel Gas Code en matière de stockage et de manipulation des gaz de pétrole liquéfiés ou, de la norme ANSI/NFPA 58, ou CSA B149.1 du Code d'installation du gaz naturel et du propane.
17. Les bonbonnes de gaz propane comportent des filetages à gauche. Toujours utiliser la clé appropriée pour établir une connexion, et pour serrer ou desserrer le raccord Prest-O-Lite en tire-bouchon du robinet d'alimentation en gaz de la bonbonne.
18. La fournaise peut démarrer à tout moment lorsqu'elle est utilisée avec un thermostat.

Système de sécurité

Contrôle de la température élevée : L'appareil est équipé d'un commutateur de haute température conçu pour éteindre la fournaise si la température interne atteint un niveau dangereux. Il s'agit d'une fonctionnalité de réinitialisation manuelle.

Interrupteur de pression d'air : Ce composant assure que le moteur du ventilateur du brûleur fonctionne à la vitesse appropriée pour assurer un bon départ avant l'allumage.

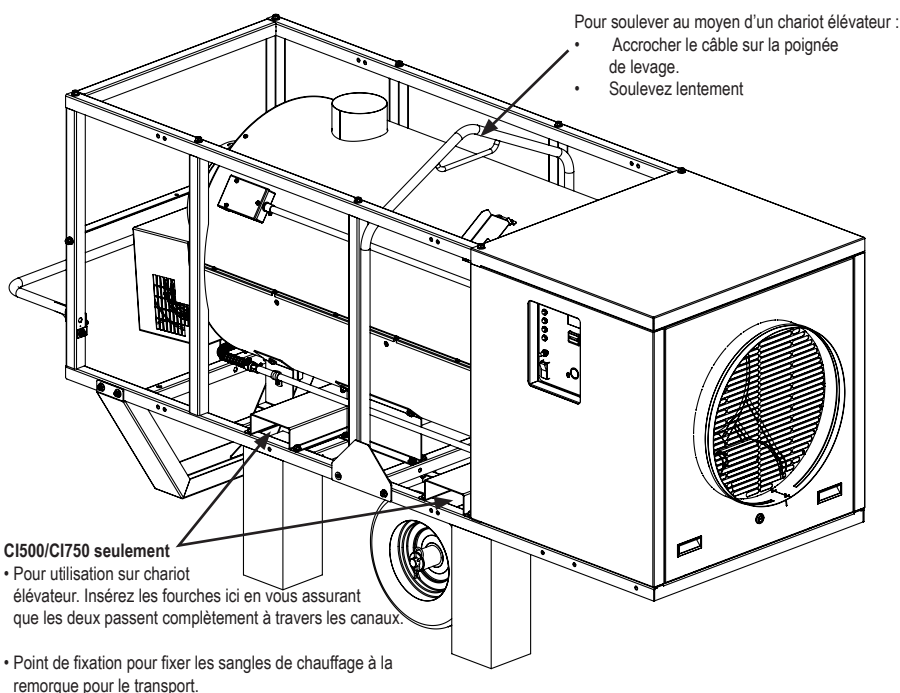
Détecteur de flamme : Utilisé avec la commande d'allumage, cela prouve que la flamme du brûleur est allumée et garde le brûleur en fonctionnement aussi longtemps qu'il y a un appel de chaleur.

Déplacement/transport de l'appareil de chauffage

AVERTISSEMENT: NE PAS transporter le chauffe-eau CI230 pendant qu'il est placé à la verticale

Fixation du chauffage sur une remorque ou une plate-forme.

- CI230 - Placez un bloc solide sous chaque côté du cadre du radiateur.
- CI500/750 - Placez un bloc solide sous chaque canal de chariot élévateur de chaque côté du châssis du radiateur.
- Assurez-vous que le bloc est suffisamment grand pour éviter toute pression vers le bas sur les roues lors de l'attache du chauffage à la remorque.
- Fixez les sangles au point le plus bas du cadre du radiateur.
- N'UTILISEZ PAS la poignée de l'appareil de chauffage pour fixer l'appareil de chauffage à la remorque.



Instructions générales d'installation



AVERTISSEMENT Incendie et explosion

Peut causer des dommages matériels, des blessures graves voire mortelles.

Pour éviter l'accumulation dangereuse de gaz combustible, couper l'alimentation en gaz du robinet de service de la fournaise avant de commencer l'installation et avant d'effectuer un test de fuite de gaz une fois l'installation terminée.

1. Lire toutes les précautions de sécurité et suivre les recommandations de L. B. White lors de l'installation de cette fournaise. Si pendant l'installation ou la relocalisation de la fournaise vous pensez qu'une pièce s'est endommagée ou qu'elle est défectueuse, appeler un atelier de réparation qualifié pour qu'il effectue une réparation ou un remplacement.
2. En utilisant un niveau, s'assurer que la fournaise est de niveau et correctement positionnée avant son utilisation. Respecter toutes les distances de sécurité minimales entre la fournaise et les matériaux combustibles les plus proches. Les distances de sécurité sont indiquées sur la plaque signalétique de la fournaise ainsi qu'à la page 4 du présent manuel.
3. L'installation de la fournaise peut être effectuée à l'intérieur ou à l'extérieur. Pour les installations intérieures, la fournaise doit être évacuée vers l'extérieur. Voir l'installation dans la section de structure à l'intérieur du présent manuel.
4. Le régulateur de pression de gaz de la fournaise (avec soupape de décharge de pression) doit être protégé contre des conditions météorologiques défavorables (pluie, glace, neige), ainsi que des matériaux de construction (goudron, béton, plâtre, etc.) qui peuvent nuire au bon fonctionnement et peuvent entraîner des dommages matériels ou des blessures.
5. Les fournaises utilisées à proximité de bâches, toiles, plastiques, pare-vents ou revêtements combustibles similaires doivent être situées à au moins 3,05 mètres/10 pieds des revêtements. Les revêtements doivent être solidement fixés pour éviter l'inflammation ou déranger la fournaise en raison de toute action du vent sur la couverture ou d'autre matériau.
6. Exigences relatives à la taille du câble de rallonge
 - CI230
 - Jusqu'à 15 m (50 pi.) utilisez un courant de 16 AWG
 - 50 pi à 30 m (100 pi.) utilisez un calibre de 14 AWG.
 - Au-delà de 30 m (100 pieds.) consultez votre électricien.
 - CI500/CI750
 - Jusqu'à 15 m (50 pi.) utilisez un calibre de 12 AWG
 - Au-delà de 30 m (50 pi.) utilisez un courant de 10 AWG.

7. Toujours vérifier s'il y a des fuites de gaz aux raccords à l'aide de détecteurs de fuites de gaz approuvés. La détection des fuites de gaz est effectuée comme suit :



AVERTISSEMENT Incendie et explosion

- Ne pas utiliser de flamme nue (allumettes, torches, bougies, etc.) pour vérifier des fuites de gaz.
- Utiliser des détecteurs de fuites approuvés.
- Le non-respect de cet avertissement peut provoquer des incendies ou des explosions.
- Les incendies et les explosions peuvent causer des dommages matériels, des blessures voire la mort.

- Vérifier toutes les connexions des raccords et des conduites, ainsi que les raccords et les adaptateurs en amont de la commande de gaz au moyen de détecteurs de fuites de gaz approuvés.
- Si une fuite de gaz est détectée, vérifier la propreté des composants impliqués et l'application adéquate de pâte à joint avant de serrer davantage.
- Resserrer le raccord de gaz autant que nécessaire pour arrêter la fuite.
- Après la vérification de toutes les connexions et le colmatage de toute fuite, allumer le brûleur principal.
- Vous écarter tandis que le brûleur principal s'allume pour prévenir les blessures causées par les fuites cachées, ce qui pourrait entraîner un retour de flamme.
- Avec le brûleur principal en marche, vérifier toutes les connexions des raccords et des conduites, les joints ainsi que l'entrée du robinet de réglage de gaz et les connexions de sortie au moyen de détecteurs de fuites de gaz approuvés.
- Si une fuite est détectée, vérifier la propreté des filets et l'application adéquate de pâte à joint avant de serrer davantage.
- Resserrer le raccord de gaz autant que nécessaire pour arrêter la fuite.
- Le cas échéant, si la fuite ne peut être arrêtée, remplacer les pièces ou composants en cause.
- S'assurer que toutes les fuites de gaz ont été identifiées et colmatées avant de poursuivre.
- 8. Un atelier de réparation qualifié doit vérifier la pression du gaz de fonctionnement adéquate lors de l'installation de l'appareil.
- 9. Allumer conformément aux instructions sur la fournaise ou dans le manuel du propriétaire.

10. S'assurer que la fournaise dispose du régulateur de gaz approprié pour l'application. Un régulateur doit être connecté à l'alimentation en gaz de sorte que la pression du gaz à l'entrée du robinet de gaz soit en tout temps réglée dans la plage précisée sur la plaque d'identification. Communiquez avec votre fournisseur de gaz ou avec L.B. White Co., LLC si vous avez des questions.
11. Cet appareil comprend un robinet de sélection de gaz permettant d'utiliser du gaz de pétrole liquéfiés ou du gaz naturel. S'assurer que le robinet de sélection de gaz se trouve dans la position adéquate pour le carburant utilisé.
12. La fournaise doit être installée de façon à ne pas gêner ou entraver les sorties normales, les issues de secours, les portes et les allées.
13. Des garde-corps, des clôtures ou toute substitution des matériaux appropriée doivent être utilisés pour maintenir l'équipement de chauffage à l'écart de toutes les personnes qui utilisent et visitent la structure.
14. La fournaise doit être située de telle sorte que la pluie, la glace ou le drainage de la neige à partir de la structure n'a aucune incidence sur le fonctionnement de l'équipement. Si l'appareil est installé à l'extérieur, il doit être installé au-dessus de l'eau stagnante. Si l'appareil doit être installé au sol, il est recommandé d'assurer une tranchée tout autour afin de drainer toute la pluie, la glace ou la neige.
15. Le sol et le terrain environnants doivent être dégagés de toute végétation combustible et de tout autre matériau combustible lorsque l'appareil est utilisé à l'extérieur.
16. Finalement, comme tous les appareils électriques/mécaniques, le thermostat peut connaître des défaillances. Toute défaillance du thermostat peut entraîner un sous-chauffage. Le thermostat doit être testé pour vous assurer qu'il active et désactive la fournaise selon une différence de température de $\pm 3^{\circ}\text{F}$ ($\pm 1,5^{\circ}\text{C}$).
17. Prendre le temps de comprendre comment utiliser et entretenir la fournaise à l'aide de ce mode d'emploi. S'assurer de savoir comment couper l'alimentation en gaz du bâtiment et également celui de la fournaise. Communiquez avec votre fournisseur de gaz combustible si vous avez des questions.
18. Toute défaillance constatée dans l'exécution de l'une des procédures d'entretien ou de maintenance doit être corrigée et les pièces défectueuses doivent immédiatement être remplacées. la fournaise doit être testée de nouveau par le personnel de service dûment qualifié avant de la remettre en utilisation.
19. Convient a un usage interieur ou exterior. Une ventilation adéquate doit être assurée conformément aux normes pertinentes parmi les suivantes: OSHA 29 CFR 1926.154, Safety Requirements for Temporary and Portable Space Heating Devices and Equipment (ANSI A10.10); National Fuel Gas Code (ANSI 2223.1 / NFPA 54) Liquefied Petroleum Gas Code (NFPA 58); ou le Code d'installation du gaz naturel et du propane (CAN B149.1). Voir la notice d'instructions pour obtenir de plus amples renseignements.



Les de chauffage L.B. White Foreman seront soit configurés en usine pour être L.B. White LINK prêt ou compatible. Vérifiez le numéro de modèle sur la plaque signalétique pour déterminer si votre appareil de chauffage Foreman est soit L.B. White LINK prêt ou compatible. Si la conception de votre modèle se termine par la lettre «L», alors c'est. Prêt pour le L.B. LINK. Si la conception de votre modèle ne se termine pas par la lettre «L», il s'agit uniquement de L.B. White LINK Compatible. Voir l'exemple ci-dessous.

	Model/Modelo/ Modelo	CI500BSDN42168TL		
Serial No./No. de série				
Fuel / Carburant / Combustible	LPG/NG	Maximum Maximo		Minimum Minimo
Elevation / Elévation (ft/m)	0 - 2.000 / 0 - 610	Maximale		Minimale
Input / D'Entrée / Entrada (kBtu/kW)			500 / 146.5	N/A
Manifold pressure / Pression du brûleur / Quemador de presión (inWVC/kPa)	LPG NG		3.9 / 1.0 5.7 / 1.4	N/A N/A
Inlet pressure / Pression d'entrée / Presión de entrada (inWVC/kPa)			13.5 / 3.4	8.0 / 2.0
Electrical / Électrique / Eléctrico (V/A/Hz/Ø)			120 / 14.8 / 60 / 1	
Min. operating temp./Min. température de fonctionnement / Min. temperatura de funcionamiento (°F/°C)			-20 / -28	
L.B. White Co., LLC 411 Mason Street Onalaska, WI 54650 USA 1-808-783-5691				

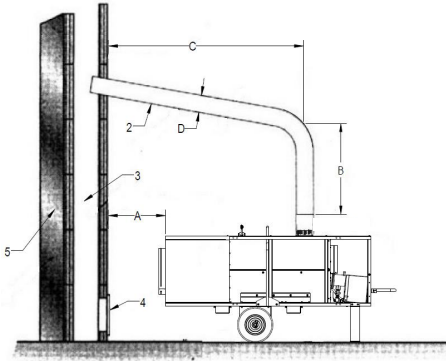
Pour L.B. White LINK Ready Foreman, commander le kit numéro **500-133307**. Pour L.B. White LINK Foreman compatible, voir le tableau ci-dessous.

MODEL	KIT NO.
FOREMAN 230 DF	500-133224
FOREMAN 500/750 DF	500-133193

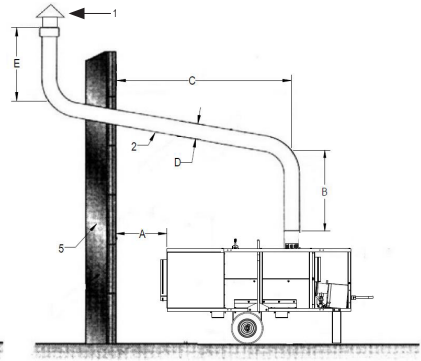
Pour plus d'informations sur le système L.B. White LINK, contactez votre L.B. White marchande. Vous pouvez également appeler le L.B. White Compagnie, LLC au 1-800-345-7200.

Structure intérieure

DANS UNE CHEMINÉE EXISTANTE



DIRECTEMENT À L'EXTÉRIEUR



- 1) Dispositif pare-vent, accessoire en option
- 2) Traverse horizontale avec un pas d'angle renversé minimal de 5°
- 3) Cheminée avec mesure intérieure minimale de 8 po x 8 po
- 4) Porte à rabat antiexplosion de la cheminée
- 5) Radiateurs muraux externe

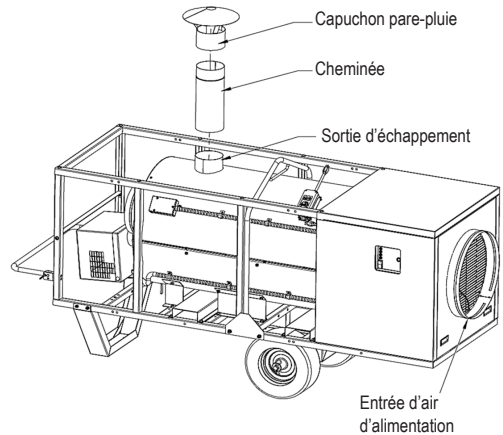
- A. Un minimum de 1 m/3 pi.
- B. Un minimum de 1 m/3 pi.
- C. Plus court
- D. Identique ou plus grand que le diamètre du tuyau d'échappement.
- E. Un minimum de 1 m/3 pi.

Remarque : Les renseignements ci-dessus constituent des recommandations uniquement.
Faire vérifier votre installation par une autorité locale.



AVERTISSEMENT DANGER D'ASPHYXIE

- Lors de l'installation à l'intérieur, l'échappement de la fournaise doit être évacué vers l'extérieur.
- Le non-respect de ces précautions peut se traduire par une asphyxie en raison d'un manque d'approvisionnement d'air adéquat ou d'un empoisonnement au monoxyde de carbone
- L'intoxication au monoxyde de carbone peut entraîner des blessures graves voire la mort.



Structure extérieure

Pour empêcher la recirculation des gaz d'échappement, qui passent de la sortie à l'entrée d'air de chauffage, une cheminée d'échappement d'au moins 1,25 m/5 pi minimum est nécessaire sur la sortie d'échappement. Un capuchon pare-pluie est nécessaire pour protéger contre la pénétration d'eau lorsque la fournaise est installée à l'extérieur.

L'accessoire de cheminée en option et le capuchon pare-pluie peuvent être achetés auprès de L.B. White Co.

Installation du conduit

Ce chauffe-eau peut être raccordé au réseau de distribution d'eau par le biais d'un conduit de distribution d'eau homologué.

Dispositifs de distribution de L.B. white.

- 12 po/30,48 cm de diamètre x 25 pi/7,62 m. L.B. Pièce blanche # 500-30052, adaptateur de conduit non disponible requis.
- (CI500 / CI750), 16 po /40,64 cm de diamètre x 25 pi /7,62 kit de conduit, L.B. White pièce # 500-30076. Adaptateur de conduit pièce # 500-30902 est requis.

– Un matériau de conduits de remplacement est acceptable, mais doit être conforme aux exigences suivantes :

1. La température minimale de service des matériaux est de 300 ° F/149 ° C
2. Conduit jusqu'à 100 pi /30,48 m peut être raccordé à l'appareil de chauffage tant que la pression statique ne dépasse pas la limite statique. Voir le tableau ci-dessous pour plus de détails. L'augmentation de la pression statique réduira le débit et provoquera l'arrêt de l'appareil en raison des limites de température élevées. Les courbures et les plis dans le conduit, ou l'affaissement du conduit, sont tous susceptibles d'augmenter la pression statique.

Modèle	Max. Pression statique
CI230	1 po. w.c./0,25 kPa
CI500 / CI750	2,5 po. w.c./0,62 kPa

– Placer le conduit sous des matériaux pare-vent appropriés pour les besoins du chantier.

3. Un conduit alternatif de 30 cm/12 po des fabricants suivants peut être utilisé :
 - Artic Helix - Norseman
 - Artic Econorush – Norseman
 - Série Hitex – NTI mondial
 - Série Ventflex – NTI mondial

REMARQUE :

- Lors de l'utilisation de conduit, faire en sorte que les courbures soient maintenues au minimum. Un maximum de deux coudes de 90 ° est autorisé.
- La réduction du nombre de coudes veillera à ce que l'air chaud sortant de la fournaise circule librement, ce qui empêche la surchauffe. S'il y a des courbures excessives, les interrupteurs de température élevée peuvent se déclencher.

FACULTATIF : Un kit de conduits de recirculation d'air avec une longueur maximale de conduit de 25 pi /7,62 m peut être raccordé à l'entrée d'air d'alimentation de l'appareil de chauffage.

CI230	16 po. / 40,6 cm de diamètre x 25 pi/7,62 m.
CI500/CI750	20 po. / 50,8 cm de diamètre x 25 pi/7,62 m.

Tuyau et régulateur de gaz

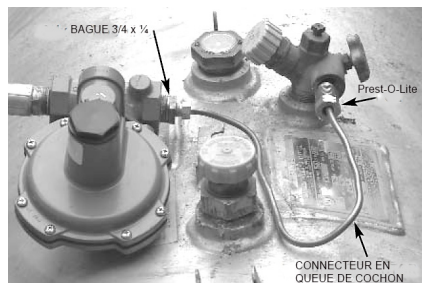
REMARQUE : Le tuyau de gaz et le régulateur ne sont pas expédiés avec l'appareil de chauffage. Ils sont des accessoires optionnels et doivent être commandés séparément

FOURNAISES FONCTIONNANT AU PROPANE

Régulateur à deux étages: 500-25141

Diamètre minimum du tuyau de gaz pour 15 pi de longueur.
 CI230/CI500: 3/4 po.: 500-25965
 CI750: 1 po.: 500-132047

1. Soulever le couvercle du réservoir.
2. Assembler comme indiqué la douille, le connecteur en queue de cochon et le régulateur. Serrer bien tous les raccords.



3. Former avec précaution le connecteur pour assurer que le régulateur sera pris en charge par le réservoir et que le couvercle du robinet du réservoir permettra de protéger le régulateur des conditions météorologiques.
4. Le fillet du raccord Prest-O-Lite se visse dans le sens antihoraire dans le robinet du réservoir. Serrer bien.
5. Ouvrir le robinet de la bonbonne.
6. Vérifier toutes les connexions au moyen d'un détecteur de fuite approuvé. Fermer le couvercle du réservoir.
7. Lors du rangement ou du transport de la fournaise, s'assurer que le raccord du connecteur est protégé contre les dommages et l'admission de saleté.

FOURNAISES AU GAZ NATUREL

– Un régulateur doit être utilisé si la pression d'alimentation du réchauffeur est supérieure à la pression d'entrée maximale de 13,5 pouces de colonne d'eau (3,36 kPa).

– Connectez un régulateur à la conduite d'alimentation en gaz naturel à l'aide des appareils de plomberie appropriés.

Pression d'alimentation en gaz naturel vers le régulateur de 2e étage			
		2 PSIG	5 PSIG
CI230	Régulateur	500-25141	
	Tuyau de gaz	500-25965	
CI500	Régulateur	500-132046	500-25141
	Tuyau de gaz	500-132047	
CI750	Régulateur	500-132136	500-132046
	Tuyau de gaz	Contactez votre revendeur local de GPL	

* Si la pression d'entrée d'alimentation du réchauffeur est inférieure à 3.45 kPa, un régulateur de deuxième étage n'est pas requis.

Dimensionnement de l'alimentation en gaz

La vaporisation du propane est touchée par plusieurs facteurs : la surface de la bonbonne, le niveau de liquide du propane, la température entourant la bonbonne et l'humidité relative. Tous ces facteurs sont précis pour un site. Par conséquent, un seuil d'expérience et de jugement adéquat est nécessaire pour sélectionner l'alimentation en propane appropriée. Bien que l'expérience constitue le meilleur guide, les recommandations suivantes peuvent être utilisées comme point de départ. Le tableau ci-dessous repose sur une expérience dans des climats nordiques, où le froid et l'humidité élevés sont courants en hiver. Si des conditions plus ou moins favorables l'emportent sur un site en particulier, des ajustements peuvent être réalisés en fonction de l'expérience.

Si plus d'une bonbonne de gaz est utilisée par fournaise, les bonbonnes doivent être reliées entre elles par un collecteur de vapeur pour permettre le retrait simultané de plusieurs bonbonnes. Le système collecteur doit être conforme aux normes NFPA 58 ou CSA B149.1.

Dimensionnement de l'alimentation en gaz

Taille du réservoir (gal.)	Température (F)	Pourcentage de liquide dans le réservoir							
		80	70	60	50	40	30	20	10
500	0	532,800	488,400	444,000	400,000	355,000	311,000	266,000	200,000
	-5	399,600	366,300	333,000	300,000	262,500	233,250	199,500	150,000
	-10	266,400	244,200	222,000	200,000	177,500	155,500	133,000	100,000
	-15	133,200	122,100	111,000	100,000	88,750	77,750	66,500	50,000
1,000	0	949,200	870,100	791,000	712,000	633,000	553,000	474,000	356,000
	-5	711,900	652,575	593,250	534,000	474,500	414,750	355,500	267,000
	-10	474,600	435,050	395,500	356,000	316,500	277,000	237,000	178,000
	-15	237,300	217,525	197,750	178,000	158,250	138,500	118,750	89,000

Taille du réservoir (litres)	Température (C)	Pourcentage de liquide dans le réservoir							
		80	70	60	50	40	30	20	10
1893	-18	156.16	143.15	130.14	117.24	104.05	91.15	77.96	58.62
	-21	117.12	107.36	97.60	87.93	76.94	68.37	58.47	43.97
	-23	78.08	71.58	65.07	58.62	52.03	45.58	38.98	29.31
	-26	39.04	35.79	32.53	29.31	26.01	22.79	19.49	14.66
3785	-18	278.21	255.03	231.84	208.69	185.53	162.08	138.93	104.34
	-21	208.66	191.27	173.88	156.52	139.08	121.56	104.20	78.26
	-23	139.11	127.51	115.92	104.34	92.77	82.77	69.46	52.17
	-26	69.55	63.76	57.96	52.17	46.38	40.58	34.73	26.09

Vanne de réglage d'air

REMARQUE : De l'air de combustion adéquat doit être obtenu pour assurer une combustion complète et adéquate.

La porte de réglage d'air de cette fournaise est réglée en usine pour fonctionner normalement à une distance de 0 à 610 m (0 à 2 000 pi) au-dessus du niveau de la mer. La porte d'air devra être ajustée si la fournaise doit fonctionner à plus de 610 m (2 000 pi). Pour obtenir du service afin de régler la porte d'air omnikuiper avec

CI500/CI750
Riello Burner North America
(800) 474-3556
www.riello.com/north-america/

CI230
Beckett Corporation
(800) 645-2876
www.beckettcorp.com

REMARQUE : Les variations de gaz de combustion, le CO₂ et les lectures de température peuvent être ressentis lorsque le châssis du brûleur n'est pas mis en place. Par conséquent, afin d'assurer des résultats de test précis, le couvercle du châssis du brûleur **doit** être en place lors des lectures finales des instruments de combustion.

Thermostats

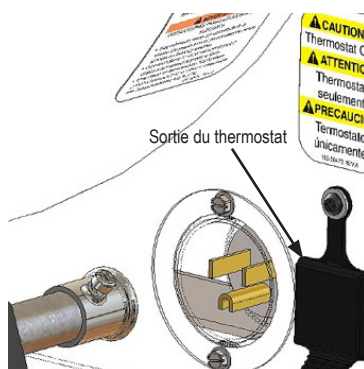
Le thermostat à distance en option est un NEMA 4X entièrement clos avec un seul réglage de la température (± 3 °F/-16 °C). L.B. White N° de pièce 500-30125.



Si le thermostat n'est pas nécessaire ou requis, sélectionner le réglage manuel sur l'interrupteur du thermostat.



Si un thermostat est requis, soulevez le couvercle de la prise du thermostat et branchez la broche mâle du cordon du thermostat à la sortie du thermostat de l'appareil. Sélectionner le réglage du thermostat sur l'interrupteur à bascule du thermostat.



AVERTISSEMENT

- Couvrez TOUJOURS la sortie du thermostat lorsqu'il n'est pas utilisé.
- NE PAS brancher un appareil à la prise du thermostat.
- NE branchez PAS de thermostat en ligne dans le thermostat sortie.

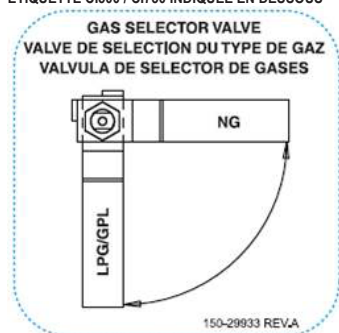
Instructions de mise en service

Pour le démarrage initial après l'installation de la fournaise suivez les étapes 1 à 5. Pour un démarrage normal, régler le thermostat au-dessus de la température ambiante ou définir un interrupteur de thermostat en position manuelle.

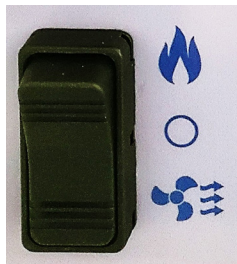
1. Ce chauffe-eau est câblé avec une mise à la terre pour votre protection contre les risques d'électrocution. Le chauffe-eau doit être raccordé directement à une prise de courant correctement câblée et mise à la terre. (Taille minimale du disjoncteur : CI230-15 ampères, CI500/CI750-20 ampères)
2. Régler le thermostat à la température ambiante souhaitée ou régler le sélecteur thermostat en position manuelle.
3. Placer le robinet de sélection de gaz, comme indiqué pour le carburant utilisé.


Cette fournaise est expédiée de l'usine avec la soupape de sélection de carburant en position gaz propane (LP). Assurez-vous que la poignée du sélecteur de carburant est correctement positionnée pour le carburant utilisé.

ETIQUETTE CI500 / CI750 INDIQUÉE EN DESSOUS




4. Cette fournaise comporte un sélecteur à bascule situé sur le côté de l'appareil. Ce commutateur permet d'activer le mode thermique ou le mode de ventilation (aucune chaleur).



5. Lorsque le commutateur est réglé à chaleur,  trois témoins d'état seront activés en séquence comme circuits précis vérifiés par le contrôleur de chauffage. Si l'appareil ne s'allume pas et qu'un voyant d'état est éteint, reportez-vous à la section de dépannage du présent manuel.
6. Ne pas dépasser la consommation thermique apposée sur la plaque signalétique ou la pression de l'orifice du brûleur recommandée par le fabricant en fonction des tailles d'orifices utilisés. Pour assurer une bonne combustion, s'assurer que l'alimentation principale en air du brûleur principal est ouverte et exempte de poussière, de saleté et de débris.

A. Mode de fonctionnement de la fournaise

- a. Ouvrir toutes les vannes manuelles d'approvisionnement en carburant. Vérifier s'il y a des fuites de gaz à l'aide de détecteurs de fuites approuvés. Vérifier que le robinet de sélection de gaz est tourné au gaz approprié.
- b. Lorsque le sélecteur est en position de chaleur  et que le thermostat fait un appel de chaleur, un ensemble de témoins verts s'allument (mise sous tension et thermostat activé).

CI230

- Le moteur du brûleur a une pré-purge de 60 secondes. La LED de limite supérieure et la LED d'état rouge sur la carte de contrôle GeniSys clignoteront lentement et régulièrement.

CI500/CI750


- Le moteur du brûleur effectuera un pré-purge pendant 1 minute. La DEL de la limite supérieure clignote pendant ce cycle.

Tous les modèles

Après la pré-purge, l'allumeur produira une étincelle et l'allumage aura lieu. Le moteur du ventilateur a un délai de temporisation avant fonctionnement (CI230-15 secondes, CI500/CI750-30 secondes). Le thermostat mettra le chauffe-eau en marche ou en arrêt selon le réglage de la température.

Remarque: Lorsque le thermostat coupe le chauffage ou que le sélecteur est mis sur ARRÊT, le moteur du ventilateur continue de tourner pendant 90 secondes supplémentaires pour refroidir l'échangeur thermique. **NE DÉBRANCHEZ PAS L'APPAREIL TANT QUE LE CYCLE DE REFROIDISSEMENT N'EST PAS TERMINÉ.**

B. Mode de fonctionnement de l'événement

Lorsque le sélecteur est placé en mode événement,  seul le témoin du moteur du ventilateur s'allume. Le moteur du ventilateur démarre, mais pas le moteur du brûleur, et l'allumage ne se produit pas. Cette fonction est généralement utilisée lors-

qu'aucune chaudière n'est nécessaire, mais que la circulation d'air, elle, l'est. La fournaise n'effectuera aucun cycle de réglage de son thermostat. Pour désactiver la fonction de ventilation, positionner le commutateur au milieu O ou en mode de chauffage 🔥.

Si vous désirez utiliser la fonction de ventilation, la connexion de l'alimentation en gaz (c.-à-d. le tuyau et le régulateur) à la source de carburant n'est pas nécessaire.

C. Arrêt O

Placer l'interrupteur au point médian O

Verrouillage de sécurité CI500 / CI750

Cet appareil est équipé d'un verrouillage des dispositifs de sécurité. En cas de panne tandis que le brûleur est en marche, ou si l'alimentation en air du brûleur est obstruée, le brûleur se verrouille. Si cela se produit, le bouton de réinitialisation du contrôleur du brûleur passe au rouge.

POUR RÉINITIALISER LE BOÎTIER DE COMMANDE

Appuyer sur le bouton de réinitialisation du contrôleur de brûleur et le maintenir enfoncé pendant une à deux secondes.



Une fois le bouton relâché, le brûleur redémarrera après une pause de 5 secondes.

MODE DE DIAGNOSTICS

Le contrôleur dispose d'un mode de diagnostic qui identifie la cause du dysfonctionnement de la fournaise.

Pour utiliser la fonction, attendez au moins dix secondes une fois que la fournaise est entrée en mode de verrouillage (témoin rouge fixe). Appuyer sur le bouton de réinitialisation et le maintenir enfoncé pendant plus de trois secondes ou jusqu'à ce que des impulsions lumineuses jaunes vous informent que l'opération est terminée. Relâchez le bouton et un témoin rouge clignotera un certain

nombre de fois pour identifier le dysfonctionnement qui est survenu. Se reporter à la section de dépannage pour en savoir plus.

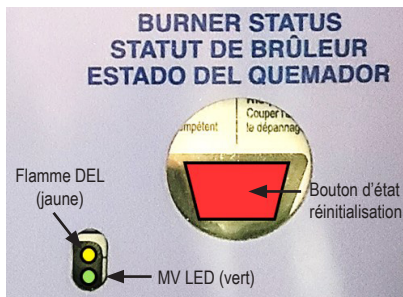
- **NE PAS** laisser l'appareil en mode diagnostic une fois que le diagnostic a été établi. Le moteur principal redémarre après 90 secondes.
- Le contrôleur ne dispose que d'un seul essai d'allumage. Si l'allumage n'est pas réussi, la commande du brûleur d'allumage passe en mode de verrouillage.
- Il est normal que l'air soit emprisonné dans le tuyau de gaz dans de nouvelles installations. Il peut s'avérer nécessaire de procéder à plus d'un essai d'allumage avant que l'air soit finalement purgé de la conduite et que l'allumage ait lieu.

CI230

La commande GeniSys est dotée de 3 voyants DEL qui aident à fournir des informations sur l'état et le diagnostic. Les trois DEL sont Statut, Flamme et MV (vanne principale). Les DEL utilisent 4 modes : Marche, Arrêt, Clignotement lent ou Clignotement rapide.

- Flamme (jaune) = sens ou intensité de la flamme.
- MV (vert) = vanne gaz M
- Statut/Réinitialisation (rouge) = Normal/verrouillage

Pendant le verrouillage, la DEL d'état rouge du GeniSys clignote 3 fois par seconde. Pour réinitialiser la commande GeniSys, appuyez et relâchez la DEL d'état.



Instructions d'arrêt

Suivre les étapes 1 à 6 si la fournaise est à l'arrêt pour le nettoyage, l'entretien ou la réparation. Sinon, il suffit de désactiver le thermostat ou de le mettre en position « Sans chaleur » ou de placer le commutateur du thermostat uniquement, pour procéder à un arrêt standard.

1. Fermer le robinet d'alimentation en gaz situé sur les conteneurs/sources d'alimentation en gaz.
2. Laisser la fournaise brûler tout le gaz de carburant restant dans la conduite d'alimentation.
3. Régler le thermostat à « Inactif » ou placer le commutateur à la position médiane O.
4. Laisser la fournaise exécuter son mode de refroidissement après le mode de refroidissement après purge. VOIR LA NOTE CI-DESSOUS

5. Débrancher la fournaise de l'alimentation électrique de l'alimentation en gaz. (NE PAS COUPER L'ALIMENTATION ÉLECTRIQUE JUSQU'À CE QUE LE VENTILATEUR DU MOTEUR PRINCIPAL SOIT DÉACTIVÉ APRÈS LE REFROIDISSEMENT DE L'ÉCHANGEUR THERMIQUE)

Remarque : Lorsque le thermostat ou le sélecteur de la fournaise effectue un cycle afin de se désactiver, le moteur principal du ventilateur continuera à fonctionner. Il s'agit du refroidissement après la purge de l'échangeur thermique. Pendant ce processus, la témoin DEL clignote 90 secondes après la purge et la fournaise s'éteint.

Instructions de nettoyage



AVERTISSEMENT

Danger d'incendie, de brûlure et d'explosion

- Cette fournaise contient des composants électriques et mécaniques dans les systèmes de gestion du gaz et de la sécurité.
- Ces composants peuvent devenir inopérants ou défaillir à cause de la poussière, de la saleté, de l'usure et du vieillissement.
- Un nettoyage et une inspection périodiques ainsi que l'entretien adéquat sont essentiels pour éviter les blessures ou les dommages graves.

1. Avant le nettoyage, fermer tous les robinets d'alimentation en gaz et débrancher l'alimentation électrique.
2. Toute saleté ou poussière doit périodiquement être enlevée de la fournaise :
 - a. Avant chaque utilisation nettoyer de façon globale le boîtier et les composants internes de la fournaise à l'aide d'air comprimé, d'une brosse douce ou d'un chiffon sec. À cette étape, dépressuriser le boîtier du moteur pour éviter qu'il ne surchauffe.
 - b. Au moins une fois par an, nettoyer la fournaise en profondeur. À cette étape, retirer l'ensemble du ventilateur et du moteur et brosser ou souffler sur l'ensemble des pales du ventilateur. De plus, s'assurer que l'entrée d'air du brûleur est libre d'accumulation de poussière.



AVERTISSEMENT

Danger d'incendie, de brûlure et d'explosion

- Ne pas utiliser un nettoyeur haute pression, d'eau ou une solution de nettoyage liquide sur les commandes de gaz. L'utilisation d'un nettoyeur haute pression, d'eau, ou d'une solution de nettoyage liquide sur les composants de contrôle peut entraîner des blessures graves ou des dégâts matériels.
- Dans les composants électriques et les fils provoquant une décharge électrique ou une défaillance de l'équipement.
- Sur les robinets de gaz provoquant de la corrosion qui peuvent entraîner des fuites de gaz se traduisant par un incendie ou une explosion.

Nettoyer tous les composants de la fournaise avec de l'air pressurisé, un pinceau sec, ou un chiffon sec.

Instructions de maintenance

AVANT CHAQUE UTILISATION :

- Vérifier que la zone entourant la fournaise est dégagée et libre de matériaux combustibles, d'essence et d'autres vapeurs et liquides inflammables.
- Lors de l'installation, s'assurer que le débit de combustion et l'air de ventilation ne soient pas obstrués.
- Demander à votre fournisseur de gaz de vérifier toutes les conduites de gaz afin d'y déceler des fuites ou des restrictions.
- Inspecter le régulateur de ventilation pour vous assurer que l'évent du régulateur n'est pas bloqué. Les débris, les insectes, les nids d'insectes, la neige ou la glace sur un régulateur peuvent bloquer les ouvertures et provoquer une pression excessive sur la fournaise.
- Vérifier toutes les bornes de câblage et les composants électriques associés à l'intérieur de la fournaise afin de déceler tout signe de corrosion, d'isolation efflochée ou coupée, d'assurer que les raccords sont bien serrés, etc. Réparer ou remplacer si nécessaire.
- Passer en revue toutes les marques de la fournaise (par exemple schéma de câblage, avertissements, démarrage, arrêt, dépannage, etc.) au moment de l'entretien pour en assurer la lisibilité. S'assurer qu'aucune n'est coupée, déchirée ou endommagée. Toute inscription endommagée doit être immédiatement remplacée en communiquant avec L.B. White Co., LLC La plaque signalétique, des instructions de démarrage et d'arrêt ainsi que des mises en garde sont disponibles sans frais. Les schémas de câblage seront offerts quasi-gratuitement.
- Vérifier la courroie d'entraînement principale du ventilateur. S'assurer qu'elle n'est pas fissurée. Si elle l'est, la remplacer. De plus, s'assurer de la courroie ne glisse pas, que la tension de la courroie est adéquate et que les poulies sont correctement alignées et qu'elles ne sont pas usées.
- Vérifier le réglage de la porte d'air.

ANNUELLEMENT

- Nettoyer et vérifier l'allumeur et le détecteur de flamme afin de déceler toute fissure.
- Tester les commutateurs de température élevée pour en assurer le bon fonctionnement. (Consulter les instructions dans la section Entretien du présent manuel)
- Les régulateurs peuvent s'user et fonctionner incorrectement. Demander à votre fournisseur de gaz de vérifier les codes de date sur tous les régulateurs installés ainsi que la pression de livraison de la fournaise pour vous assurer que le régulateur est fiable.

Instructions d'entretien courant



AVERTISSEMENT Risque de brûlure

- Les surfaces de la fournaise sont chaudes pendant une certaine période après l'arrêt de la fournaise.
- Laisser la fournaise refroidir l'appareil avant d'effectuer le service courant, la maintenance ou le nettoyage.
- Le non-respect de cet avertissement pourrait entraîner des brûlures.



AVERTISSEMENT Incendie et explosion

- Ne pas démonter ou tenter de réparer les composants de la fournaise ou les composants du terminal de gaz.
- Tous les composants doivent être remplacés si des défauts sont constatés.
- Le non-respect de cet avertissement peut causer un incendie ou une explosion, causant des dommages matériels, des blessures voire la mort.

1. Fermer le robinet d'alimentation en carburant de la fournaise et débrancher l'alimentation électrique avant d'effectuer l'entretien, à moins que cela ne soit requis pour votre procédure de service.

2. Nettoyer l'orifice de la fournaise avec de l'air comprimé ou un chiffon doux et sec. Ne pas utiliser des limes, des perceuses, des broches, etc., pour nettoyer l'orifice. Cela agrandirait le trou, provoquant des problèmes de combustion ou d'allumage. Remplacer l'orifice s'il ne peut pas être correctement nettoyé.

3. Les interrupteurs de température élevée, le commutateur CHALEUR/ÉVENT et le thermostat peuvent être testés en débranchant les câbles au niveau du composant et en raccordant les fils :

- Rebranchant l'alimentation électrique et en ouvrant les robinets d'alimentation en carburant.
- Si la fournaise s'allume, le composant est défectueux et doit être remplacé.
- Ne pas laisser le cavalier activé ou faire fonctionner la fournaise si la pièce est défectueuse. Remplacer la pièce immédiatement.
- Une autre méthode de vérification des composants consiste à effectuer un contrôle de continuité.

4. Entretien de l'interrupteur de pression d'air différentielle :

- L'interrupteur de pression différentielle n'est pas réglable. Si le commutateur ne fait pas passer le circuit après l'inspection des tubes et des orifices, il doit être remplacé.

5. Ouvrir ou enlever le panneau du boîtier respectif pour accéder aux composants du ventilateur.

6. Pour le remontage, inverser la procédure respective. S'assurer que les raccords de gaz sont bien serrés.

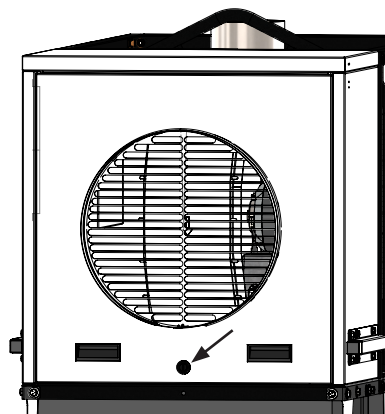
7. Après l'entretien, démarrer la fournaise pour assurer son bon fonctionnement et vérifier s'il y a des fuites de gaz.

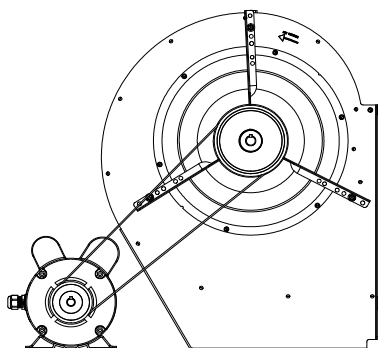
8. Si l'une ou l'autre des clés du ventilateur est perdue pendant l'entretien, le remplacement est facilement réalisé en utilisant une barre de 3/16 carré x 1 po.

Composants d'entraînement

Accès au moteur du ventilateur, à l'entraînement de la turbine les composants et le contrôle électrique.

- Retirer le panneau arrière en déverrouillant la serrure (CCW) et retirer le panneau.
- Déverrouillez le panneau supérieur de l'intérieur du chauffe-eau et tirez le panneau vers l'arrière pour déverrouiller la languette.
- Retirer le panneau supérieur.

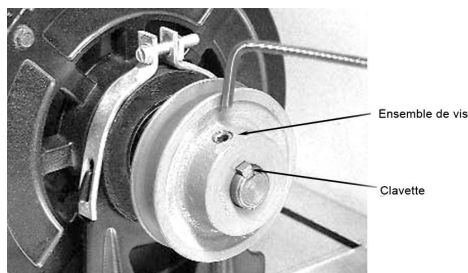


C1500 / C1750**Remplacement de la courroie**

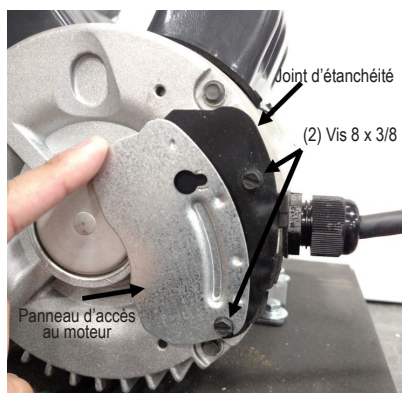
1. Retirer soigneusement la courroie des poulies.
2. Vérifier si les rainures de la poulie du ventilateur et du moteur sont sales, nettoyer le cas échéant
3. Installer la nouvelle courroie. S'assurer que la courroie est installée comme indiqué ci-dessous. Voir la direction des flèches sur la courroie.

**Poulies du ventilateur et du moteur**

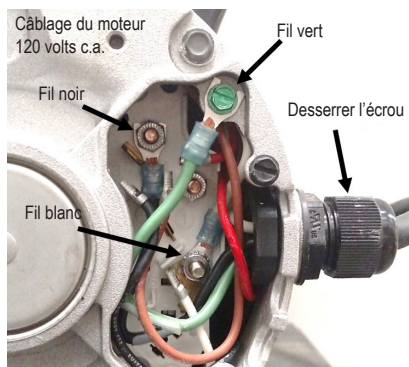
1. Retirer la courroie des poulies. Voir Remplacement de la courroie.
2. Desserrer les vis Allen des poulies du ventilateur et du moteur.
3. Retirer la poulie et la clé de l'arbre du ventilateur et du moteur.
4. Lors de l'installation de la nouvelle poulie, utiliser un bord droit, vérifier l'alignement de la poulie du moteur et du ventilateur. Le contact doit être fait aux bords des deux poulies.

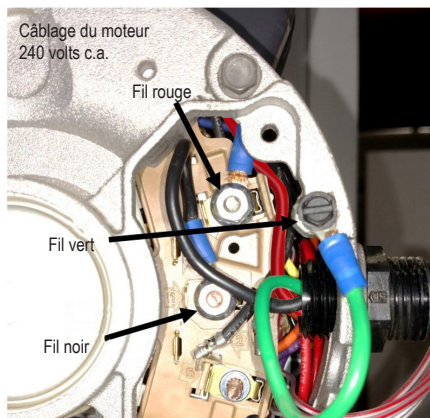
**Moteur de ventilateur**

1. Desserrer les vis du panneau d'accès de l'alimentation électrique du moteur
2. Retirer le panneau d'accès et le joint



3. Débrancher le fil d'alimentation.



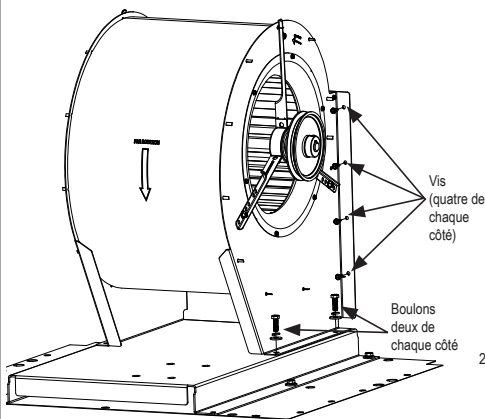


4. Enlever les quatre boulons à l'aide d'une clé ouverte de 1/2 pouce.

- Veiller à ce que les poulies du moteur et du ventilateur soient correctement alignées lors de la réinstallation.
- Les roulements du moteur sont lubrifiés en permanence.

Retrait du logement du ventilateur

1. Retirer la courroie du ventilateur. Voir la procédure de remplacement de la courroie.
2. Retirer le moteur du ventilateur. Voir la section du moteur du ventilateur.
3. Localiser et retirer les quatre boulons à la base du boîtier du ventilateur. Voir ci-dessous.
4. Localiser et retirer les huit vis à tôle. Voir le dessin ci-dessous.
5. Retirer le boîtier de roue du ventilateur.



Remplacement de la roue du ventilateur

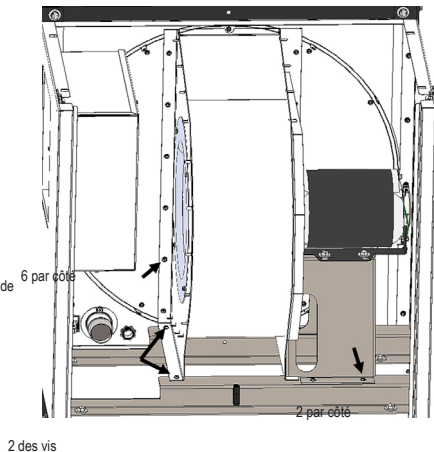
1. Retirer la courroie du ventilateur. Voir la procédure de remplacement de la courroie.
2. Retirer la poulie de l'arbre du ventilateur. Consulter les Procédures relatives aux poulies du ventilateur et du moteur.
3. Desserrer toutes les vis de réglage de l'arbre du ventilateur, y compris la vis de réglage sur le moyeu de la roue du ventilateur.
4. Tirer l'arbre du ventilateur à travers la roue du ventilateur et les supports de montage du roulement.
5. Abaisser la roue du ventilateur pour accéder aux écrous de fixation du support de roulement qui se trouvent à l'arrière, du côté du boîtier du ventilateur.
6. Retirer les vis du ventilateur.
7. Retirer le moteur du ventilateur.

REMARQUE: Lors de l'installation d'une nouvelle roue de ventilateur, s'assurer que le moyeu de la roue du ventilateur se trouve du même côté que la poulie du moteur.

C1230

Boîtier de ventilateur et assemblage du moteur

1. Débrancher le câblage du moteur de la platine de commande.
2. Retirer toutes les vis fixant le boîtier du ventilateur à l'échangeur thermique et aux barres de montage du boîtier.

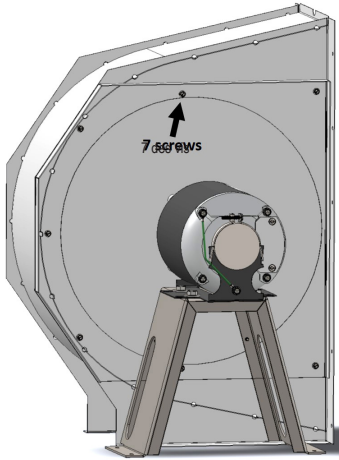


3. Retirer le boîtier du ventilateur/moteur.

Démontage du moteur/de la roue de

Ventilateur/Roue de ventilateur

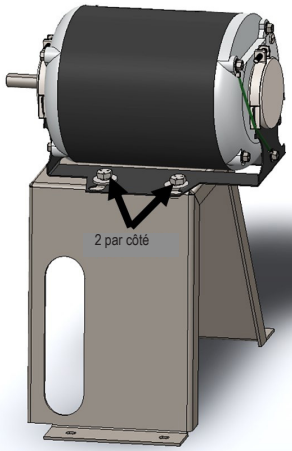
1. Retirer toutes les vis de fixation de la plaque de montage du moteur.



2. Démontez le moteur/la roue de ventilateur du boîtier du ventilateur.
3. Desserrez les deux clés Allen de 3/16 qui fixent la roue du ventilateur à l'arbre du moteur.
4. Retirer la roue du ventilateur.

Moteur

1. Suivre la procédure de démontage de la roue du ventilateur.
2. Retirez les quatre boulons à tête hexagonale qui fixent le moteur au support du moteur.

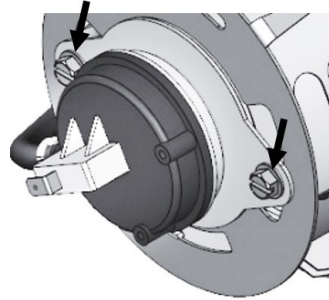


3. Retirer le moteur.

Composants du brûleur (CI230)

Pressostat d'air

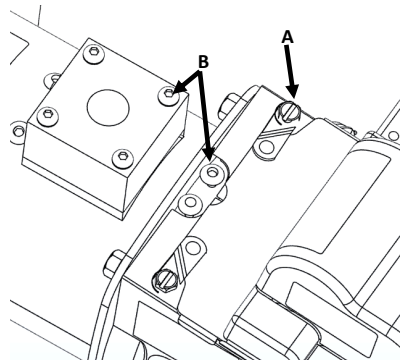
1. Débranchez les deux fils du pressostat.
2. Débranchez le tuyau en caoutchouc du pressostat d'air.
3. Enlevez les deux vis de fixation du pressostat d'air sur le volet du brûleur.



Orifice du brûleur/allumeur/capteur de flamme

Enlèvement de l'orifice du brûleur

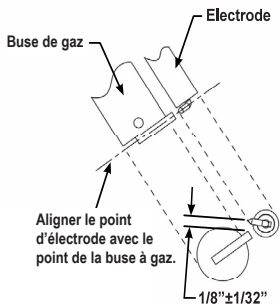
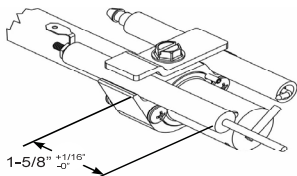
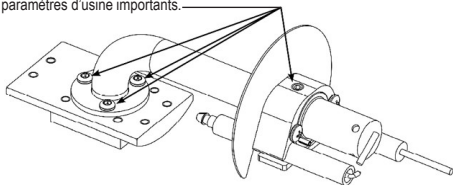
1. Desserrez et tournez les deux vis de la plaque de recouvrement (A).
2. Soulevez la plaque vers l'arrière pour exposer le câble de l'allumeur et le fil de la tige de flamme.
3. Retirez les six vis Allen à tête hexagonale de 1/8 po (B).
4. Retirez le pistolet à gaz de l'intérieur du tube de direction du brûleur.



Position de la tige de flamme/électrode d'allumage

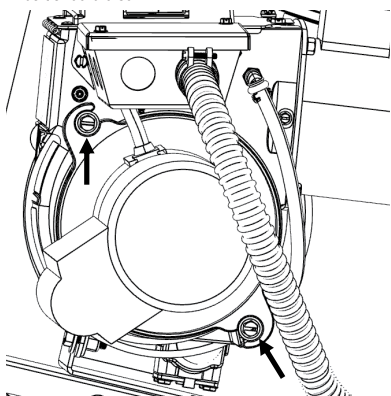
AVERTISSEMENT
Incendie et explosion

NE PAS desserrer ou retirer ces vis. ils sécurisent les paramètres d'usine importants.

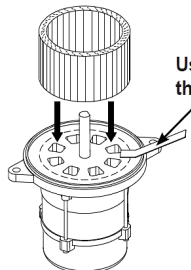


Roue du moteur/ventilateur du brûleur

1. Débranchez les fils du moteur à l'intérieur de la boîte de jonction et faites sortir les fils.
2. Desserrez les deux boulons de fixation du moteur du brûleur sur le boîtier du brûleur.



3. Faites tourner le moteur du brûleur CCW et retirez l'ensemble moteur du brûleur/roue du ventilateur.
4. À l'aide d'une clé Allen de 1/8 po, retirez la roue du ventilateur de l'arbre du moteur du brûleur.
5. Reportez-vous à l'illustration ci-dessous lorsque vous fixez la nouvelle roue du ventilateur du brûleur au moteur du brûleur.

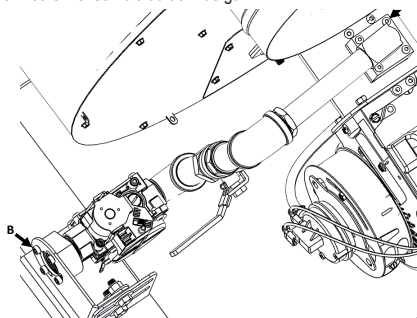


Use a Feeler Gauge to set the gap to 0.030 ±1/64 inch

6. Serrez la vis de réglage pour fixer la roue.

Contrôle du gaz

1. Retirez les quatre vis à tête hexagonale de 1/8 po (A).
2. Retirez les quatre vis à tête hexagonale 5/32 (B).
3. Retirez l'ensemble du train de gaz.



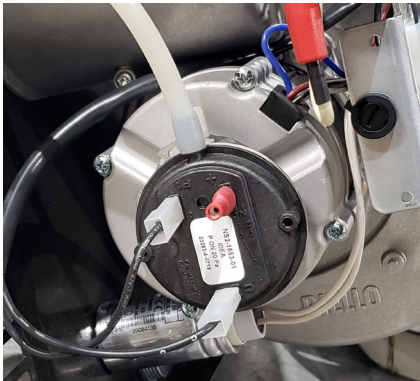
Composants du brûleur CI500/CI750

L'entretien de tous composants connexes du brûleur nécessite le retrait du châssis du brûleur. Ceci est accompli en desserrant les vis du châssis du brûleur et en tirant le couvercle du châssis du brûleur vers vous.

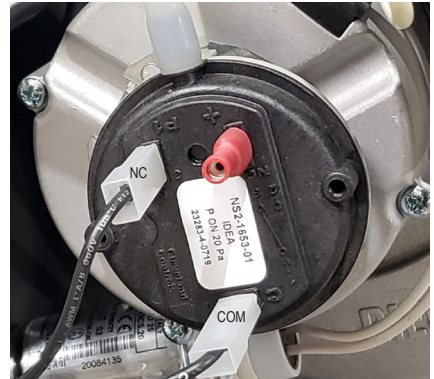


Interrupteur de pression d'air

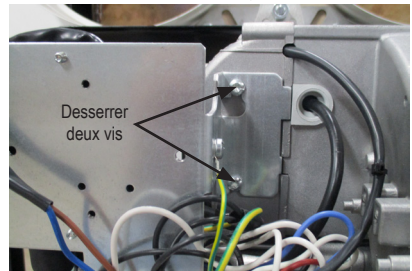
1. Localisez le pressostat d'air.



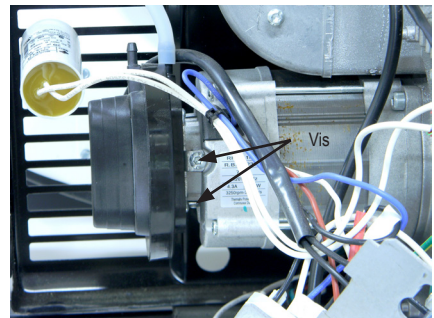
2. Débrancher la borne de l'interrupteur de pression d'air.
3. Retirer le tube de l'interrupteur de pression d'air, noter qu'il est attaché à la borne positive (+) du commutateur.



4. Inspecter le tube afin de déceler tout signe de fissures ou de scission, remplacer le cas échéant.
5. Trouver et desserrer les vis de serrage du support du transformateur d'allumage.



6. Retirer le support du transformateur d'allumage du châssis du brûleur.
7. Trouver et desserrer les deux vis de serrage de l'interrupteur de pression d'air.



- Pour réinstaller un nouveau commutateur, inverser la procédure.

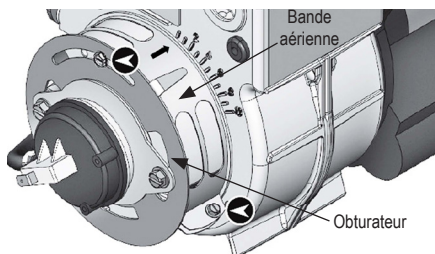
Orifice du brûleur/allumeur/capteur de flamme

- Retirer l'écrou de blocage.

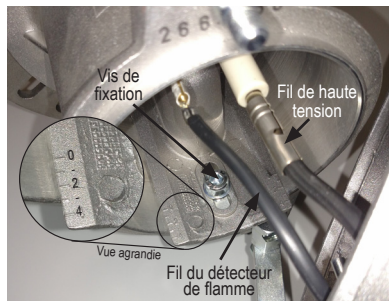


- Tirer sur le châssis du brûleur.
- Débrancher le câble d'allumage de l'allumeur.
- Débrancher le câble du capteur de flamme.
- Pour Foreman 500/750, noter la position du brûleur. Voir le tableau de position du brûleur ci-dessous pour un réglage approprié. Poste de Foreman 500 illustré ci-dessous.

Modèle	Position du brûleur	Position de la porte d'air/de l'obturateur	Position de la bande aérienne
CI230	N/A	10.0	3.0
CI500	3.0	4.0	N/A
CI750	5.0	6.5	N/A



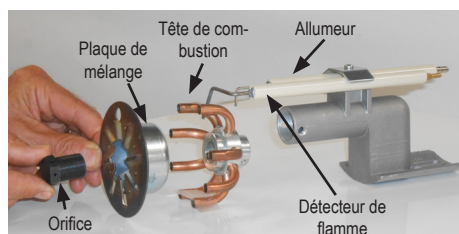
☛ = Serrez fermement les vis de verrouillage une fois les réglages effectués
 * Voir le tableau de l'obturateur d'air/bande d'air pour la bonne position



- Retirer la vis de montage en utilisant la clé Allen de 6 mm.
- Tirer le coude du tiroir d'assemblage de l'ensemble de tête de combustion

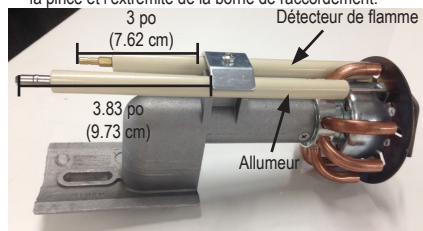
Retrait de l'orifice du brûleur

- Retirer l'orifice du brûleur à la douille 13/16
- Noter la rondelle derrière l'orifice lors de la réinstallation du nouvel orifice. Une rondelle doit être installée.

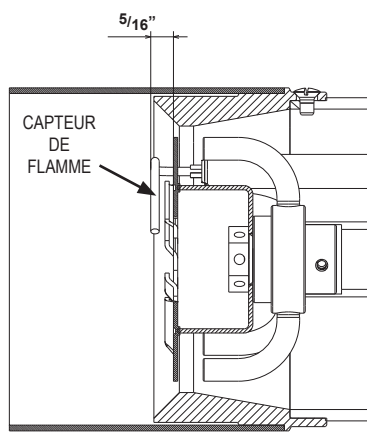


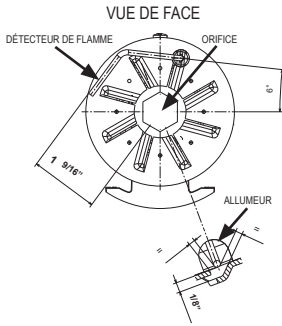
Retrait de l'allumeur/capteur de flamme

- Retirer la vis de l'allumeur et du capteur de flamme.
- Placer le nouvel allumeur à 3.83 pouces (9.73 cm) de la pince se trouvant à l'extrémité de la borne de raccordement.
- Le détecteur de flamme doit mesurer 3 pouces (7.62 cm) entre la pince et l'extrémité de la borne de raccordement.



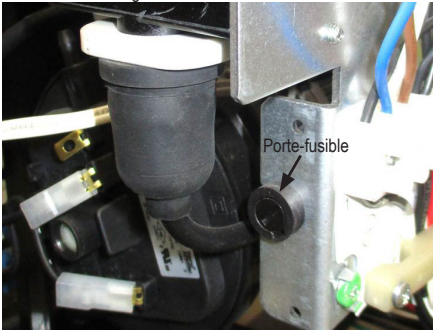
VUE DE CÔTÉ





Fusible

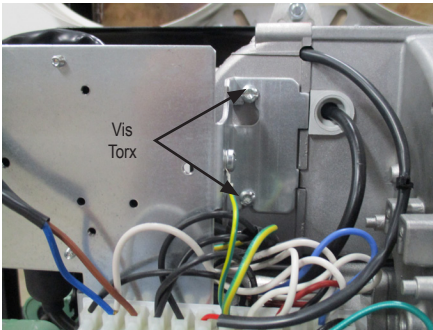
1. Trouver le porte-fusible sur le côté du support du transformateur d'allumage.



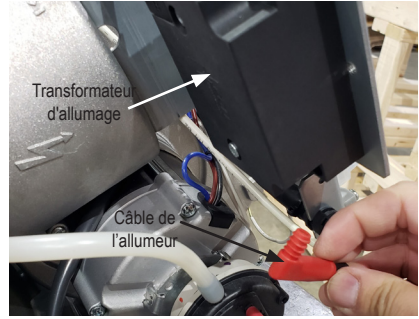
2. Retirer le porte-fusible au moyen de tournevis standard, en tournant dans le sens antihoraire
3. Remplacer le fusible si nécessaire (6,25A/250V)

Transformateur d'allumage

1. Débrancher les fils du transformateur d'allumage aux bornes 2 et 3 du bornier.
2. Desserrer les vis Torx du support du transformateur d'allumage.



3. Faire glisser le support d'allumage du transformateur vers le haut.
4. Débrancher le câble d'allumage du transformateur d'allumage.

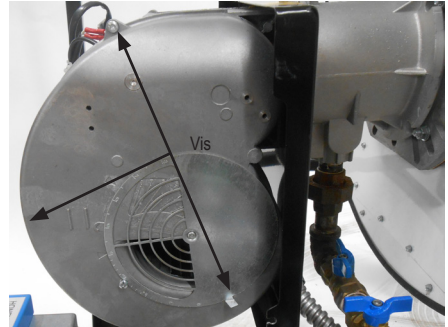


5. Retirer les vis de montage du transformateur d'allumage

Moteur et roue de ventilateur

Retrait de la roue de ventilateur

1. Trouver et retirer trois vis Torx T25 sur le logement du ventilateur du brûleur.



2. Extraire le boîtier du brûleur pour exposer la roue de ventilateur.
3. Desserrer la vis Allen (4 mm) et retirer la roue de ventilateur
4. Inspecter la roue du ventilateur, nettoyer ou remplacer le cas échéant.

Retrait du moteur du brûleur

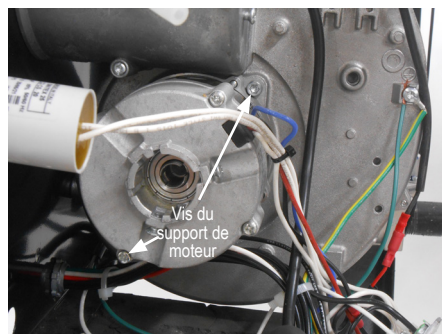
1. Retirer la roue du ventilateur, consulter la procédure de retrait de la roue du ventilateur.
2. Retirer l'interrupteur de pression d'air, consulter la procédure de retrait de l'interrupteur de pression d'air.
3. Débrancher les fils de la borne du moteur

Lead bande de moteur:

Blanc : N° 8
Rouge : N° 9

Noir : N° 10
Bleu : N° 11

4. Trouver et retirer les deux vis à tête hexagonale H5.



5. Retirer le moteur.

Robinet électromagnétique



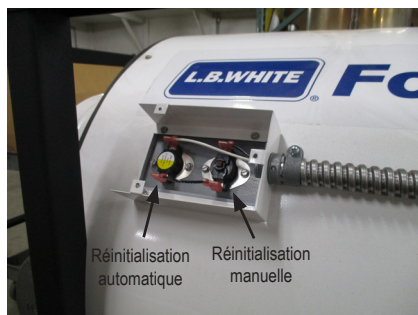
Débrancher la borne du brûleur bloc N° 12 et N° 11.

Interrupteurs de température élevée

AVERTISSEMENT Risque d'incendie

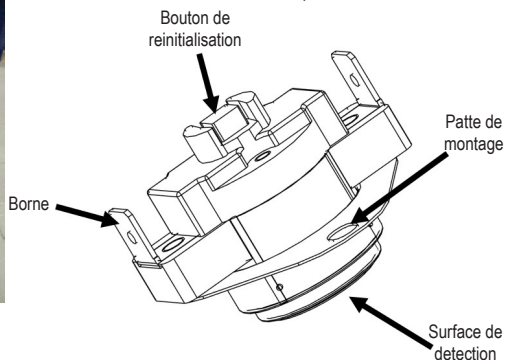
- Ne pas faire fonctionner la fournaise si l'un ou l'autre des interrupteurs de température élevée est contourné.
- Faire fonctionner une fournaise avec un interrupteur de température élevée contourné peut conduire à une surchauffe, ce qui peut causer un incendie, des dommages subséquents à la fournaise ou au bâtiment.

Cet appareil est équipé de deux interrupteurs de fin de course. Le premier est une réinitialisation manuelle; l'autre est une réinitialisation automatique. Les interrupteurs sont situés sur le côté de la fournaise, comme illustré.



Les interrupteurs de température élevée doivent être testés au moins une fois par an lorsque la fournaise est nettoyée en profondeur.

1. Retirer l'interrupteur de température élevée.
2. Appliquer une petite flamme seulement sur la partie de détection à l'arrière de l'interrupteur.



Veiller à ne pas faire fondre le boîtier en plastique de l'interrupteur lors de cet essai.

3. En l'espace d'une minute, vous devriez entendre un faible clic, ce qui indique que les contacts de l'interrupteur se sont ouverts.
4. **INTERRUPTEUR DE RÉINITIALISATION MANUEL :** Laisser l'interrupteur refroidir pendant environ une minute avant d'appuyer fermement sur son bouton de réinitialisation.
INTERRUPTEUR DE RÉINITIALISATION AUTOMATIQUE : Laisser l'interrupteur refroidir pendant environ une minute. Nul besoin de réinitialiser.
5. Vérifier la continuité électrique entre les bornes de l'interrupteur pour vous assurer que les contacts sont fermés.

Vérifications de la pression du gaz

AVERTISSEMENT

- Ne pas démonter le régulateur du solénoïde du robinet.
- Ne pas essayer de remplacer les composants internes du régulateur ou du solénoïde.
- Ces composants doivent être remplacés en cas de dommage physique se produisant à l'ensemble du robinet.
- Le non-respect de cet avertissement peut se traduire par un incendie ou une explosion, ce qui peut entraîner des blessures voir la mort d'êtres humains ainsi que des dommages matériels.

ATTENTION :

- Ce qui suit explique une procédure type à suivre pour contrôler les pressions de gaz.
- Les pressions de gaz varieront en fonction du type de carburant.
- Consulter la plaque signalétique sur la fournaise ou la page 5 du présent manuel pour connaître les pressions précises devant être utilisées en plus de cette procédure.
- La pression de gaz mesurée à l'entrée du régulateur correspond à la pression d'arrivée et la pression de gaz mesurée au goulot de la tête de combustion correspond à la pression d'admission du brûleur.

MATÉRIAUX NÉCESSAIRES

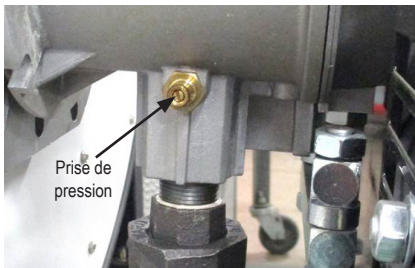
Quantité	Description
2	Manomètres capables de lire jusqu'à 35 po de colonne d'eau/8,7 kPa. (Peuvent être commandés auprès de L.B. White, n° de pièce 00764)
1	Tournevis standard n° 4

A. Préparation

- Brosser ou enlever toute poussière et saleté se trouvant à proximité de la tête de combustion et du régulateur.

B. Installation de manomètre

1. Localiser le robinet de pression sur la tête de combustion.

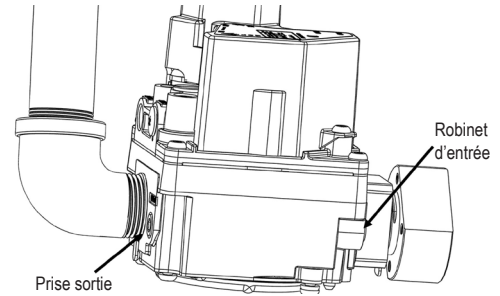


2. Desserrer la vis à fente se trouvant à l'intérieur du robinet de pression.

3. Continuer à la puce # 6

C1230

4. Repérez le robinet de pression sur la vanne de commande de gaz.



5. Retirez le bouchon allen et installez une barbillon de 1/8 NPT.

6. Raccordez solidement un manomètre à l'ardillon.

7. Ouvrez les robinets d'alimentation en carburant et rebranchez le chauffe-eau

8. Démarrez le chauffe-eau

C. Lectures de la pression

1. Alors que la fournaise est en marche, les manomètres doivent lire les pressions d'admission précisées sur la plaque signalétique.
2. Si la réponse est positive, aucune autre vérification ou réglage n'est nécessaire. Passer à la section D.
3. Si les pressions d'admission du brûleur ne correspondent pas à celles indiquées sur la plaque signalétique, la pression de gaz du régulateur contrôlant la fournaise nécessite un ajustement.

D. Achèvement

1. Une fois les pressions d'entrée et d'admission au brûleur appropriées confirmées ou correctement configurées, fermer le robinet d'alimentation en carburant de la fournaise et laisser la fournaise brûler tout le gaz restant dans l'alimentation en gaz.
2. Débrancher l'alimentation électrique de la fournaise et fermer le robinet d'alimentation en carburant.
3. Retirer les jauges.
4. Fermer la vis de prise de pression en tournant dans le sens horaire.
5. Ouvrir le robinet d'alimentation en carburant et rebrancher l'alimentation électrique de la fournaise. Démarrer la fournaise et en vérifier la présence de fuites de gaz.
6. Régler le thermostat à la température souhaitée.

Guide de dépannage

LIRE L'INTÉGRALITÉ DE CETTE SECTION AVANT DE COMMENCER À RÉSOUDRE LES PROBLÈMES.



AVERTISSEMENT

- Cette fournaise peut se mettre en marche à tout moment.
- Le dépannage de ce système peut exiger d'utiliser l'appareil alors qu'une tension secteur est présente et que le gaz est ouvert.
- Faire preuve d'une extrême prudence lorsque vous travaillez sur la fournaise.
- Le non-respect de cet avertissement peut entraîner des dommages matériels, des blessures voire la mort.

Le guide de dépannage suivant fournit des procédures pour isoler les problèmes d'équipement. Ce guide est destiné à être utilisé par un TECHNICIEN QUALIFIÉ EN FOURNAISE ALIMENTÉE AU GAZ. NE PAS TENTER D'EFFECTUER L'ENTRETIEN OU LA RÉPARATION DE CES FOURNAISES À MOINS D'AVOIR ÉTÉ ADÉQUATEMENT FORMÉ.

ÉQUIPEMENT DE TEST OBLIGATOIRE :

- Multimètre numérique – pour mesurer la tension et la résistance en courant alternatif (C. a.)
- Jauge de basse pression – pour vérifier les pressions d'entrée et de sortie de la vanne de commande de gaz en fonction des données figurant sur la plaque signalétique.

Avant de commencer :

- Visuellement inspecter l'équipement pour y déceler tout dommage apparent.
- Vérifier l'intégralité du câblage pour y déceler toute connexion desserrée et toute isolation usée.

Les composants doivent uniquement être remplacés suite à l'achèvement de chaque étape et le remplacement est suggéré. Au besoin, se reporter aux sections d'Entretien pour obtenir de l'information sur les procédures de démontage et de remplacement du composant une fois que le problème est identifié. Reportez-vous à la séquence de fonctionnement du système dans cette section afin de mieux comprendre la façon dont fonctionne le matériel lors d'un appel de chaleur. Une bonne compréhension de la séquence de fonctionnement du module d'allumage et composants connexes est essentielle, car elle va se rapporter directement à la résolution de problèmes indiqués par les graphiques.

SÉQUENCE DE FONCTIONNEMENT :

- La tension secteur est connectée à la prise d'alimentation du réchauffeur.
- La tension secteur est envoyée à :
 - Voltmètre et il affiche la tension fournie.
 - Borne 2 du sélecteur
 - Borne 2 du relais du moteur principal
 - Borne de commande de la fournaise L1

- Sélecteur réglé au mode chauffage.
 - La tension secteur est envoyé au thermostat de sortie.
- Les appels de chaleur du thermostat ou de l'interrupteur du thermostat sont réglés au mode manuel.
 - Le sélecteur du thermostat envoie la tension à la borne W de la commande de la fournaise.
 - Le témoin DEL actif du thermostat indiquant un appel de chaleur.
 - La tension secteur est envoyée à la commande du brûleur à partir de la commande PSO de la fournaise par l'intermédiaire des interrupteurs de fin de course.
 - La tension secteur est revenue à PSI sur la commande de la fournaise.
 - La commande du brûleur effectue un test des composants internes.
 - La tension secteur est envoyée au moteur du brûleur.
 - Clignotements des témoins DEL de purge/limite
- Le circuit pressostat est activé.
 - CI230, le circuit se ferme en pression positive
 - CI500/CI750, circuit ouvert en pression positive
- Le moteur du brûleur effectue une pré-purge de 60 secondes.
- L'électrode et la soupape de gaz ou les solénoïdes sont sous tension.
 - L'allumage se produit
- Clignotement de la DEL d'arrêt de fin de course/de purge
- Après une temporisation pré-réglée, la tension de ligne est envoyée de «IND» vers la borne 0 du relais du moteur principal.
 - CI230, 15 secondes
 - CI500/CI750, 30 secondes
- Le relais du moteur principal se ferme et le moteur du ventilateur est plein d'énergie.
 - La DEL du moteur principal s'allume
- Le thermostat s'ouvre lorsque la demande de chaleur est satisfaite.
 - Thermostat DEL éteint
 - Arrêt du brûleur pour la commande du chauffe-eau
- Le moteur du ventilateur continue de fonctionner (post-purge).
 - 180 secondes (CI230)
 - 90 secondes (CI500/CI750)
 - La DEL de fin de course/de purge clignote
- Après le post-nettoyage, la commande de l'appareil de chauffage a mis hors tension le ventilateur du chauffe-eau.
 - DEL de fin de course éteinte
 - DEL du moteur principal éteinte

CI500/CI750 le moteur du ventilateur

PROBLÈMES	CAUSE	SOLUTION
Glissements de la courroie	Poulies usées (courroies sorties des rainures)	Remplacer les poulies
	Huile ou graisse sur la courroie.	Nettoyer les poulies ou la courroie.
Rupture de la courroie	Installation inadéquate de la courroie La courroie s'engage sur des poulies en utilisant des outils tranchants ou pointus.	Installer la nouvelle courroie correctement.
La courroie saute des rainures	Désalignement de l'entraînement	Vérifier et réaligner
	Saleté entrant dans les poulies	Retirer la courroie, nettoyer les poulies
Fissure de la courroie	Saleté ou graisse sur la courroie ou vieille courroie	Nettoyer la saleté ou remplacer la courroie.
Courroie s'usant rapidement	Poulies usées	Remplacer les poulies
	Saleté dans les poulies	Nettoyer la saleté

Dépannage du mode de la fournaise

PROBLÈMES	SOLUTION
Le voltmètre, le thermostat et la LED de limite supérieure sont allumés.	Vérifier les deux limites élevées du brûleur, réinitialiser ou remplacer
Les voyants du voltmètre et du thermostat sont allumés, mais le moteur du brûleur ne démarre pas.	Le pressostat d'air est en position fermée (CI230)
	Moteur ou condensateur de brûleur défectueux
	La roue du ventilateur du brûleur est contraignante
Seul le voltmètre est allumé.	Si un thermostat est connecté, assurez-vous que le point de consigne sur le thermostat est supérieur à la température ambiante.
	Si aucun thermostat n'est connecté, vérifiez que le commutateur du thermostat est réglé sur MANUAL.
Les voyants du voltmètre, du thermostat et du moteur principal sont allumés, mais le moteur du ventilateur ne fonctionnera pas.	Le moteur du ventilateur principal est défectueux, remplacer le moteur
	Le tendeur de courroie est lâche, ajuster le tendeur ou le remplacer.
	Contrôleur de fournaise défectueux
	Mauvais relais











DIAGNOSTIC CI230

Vérification rapide de l'état à l'aide de DEL

Vérification rapide de l'état à l'aide de DEL

Clé LED:

○ = Inactif ● = En marche ☀ = Clignotant lent

Modos normaux	Modos de Diagnostic
FLAMME ○  MV ○ STATUT ○	FLAMME ☀  MV ● STATUT ○
Pas d'appel à la chaleur ou pas de puissance à contrôler	Mode marche - signal de flamme faible
FLAMME ○  MV ○ STATUT ○	FLAMME ○  MV ○ STATUT ○
Flash lent - (moteur en marche) Pré-purge ou inter-purge	Clignotement rapide - (3 par seconde) Verrouillage No Retry
FLAMME ○  MV ● STATUT ○	FLAMME ○  MV ○ STATUT ○
Procès d'allumage	Flash lent - Verrouillage (moteur éteint) avec nouvelle tentative
FLAMME ●  MV ● STATUT ○	FLAMME ☀  MV ○ STATUT ○
Mode course - fort courant de flamme	faible courant de flamme
	FLAME ☀  MV ● STATUT ○
	Échec du contrôle - remplace le contrôle
FLAME ○  MV ○ STATUT ○	Seule la DEL d'état rouge est allumée en continu: - Si le moteur est éteint = le pressostat d'air est bloqué en position fermée. - Si le moteur tourne = attendre la fermeture du pressostat d'air*

Intensité du signal de flamme

- DEL de flamme allumée = fort courant de flamme
- DEL clignotante clignotante = faible courant de flamme
- DEL de flamme éteinte = pas de signal flamme détecté

Signal de flamme faible ou nul

- S'assurer que tous les raccords sont propres et exempts de corrosion ou d'accumulation.
- Vérifier la continuité du fil de terre et du fil de détection.
- La commande, l'électrode et le capteur de flamme doivent avoir une masse commune avec le brûleur pour fonctionner correctement.
- Vérifier si la céramique de la tige de flamme ne présente pas d'écaillures ou de fissures, la remplacer si nécessaire. Réinitialiser à partir de la fonction de verrouillage sans essayer

- Appuyez et relâchez le bouton rouge Statut/Réinitialisation lorsque la commande est alimentée.

DIAGNOSTIC CI500/C750

Le régulateur de brûleur dispose d'un diagnostic qui identifie la cause du dysfonctionnement du chauffe-eau. Pour utiliser cette fonction, attendez au moins 10 secondes après l'arrêt du chauffe-eau. Maintenez le bouton de réinitialisation enfoncé pendant plus de 3 secondes. Une impulsion lumineuse jaune vous indiquera que l'opération est terminée. Relâchez le bouton une fois que le voyant jaune clignote. Le boîtier de commande génère une séquence d'impulsions (espacées d'une seconde) pour identifier le dysfonctionnement qui s'est produit. Voir à la page 33 le modèle de diagnostic.

Le régulateur ne fournit le diagnostic que lorsque le sélecteur est réglé sur CHAUFFAGE. 🔥

NE PAS laisser l'appareil en mode diagnostic une fois que le diagnostic a été établi. Le moteur principal redémarre après 90 secondes.

Diagnostic CI500/CI750

* Séquence de flash observée en mode de diagnostic (Maintenez la touche Reste enfoncée pendant plus de 3 secondes.)

PROBLÈMES	CAUSE	SOLUTION
Deux fois	Le solénoïde ne s'est pas ouvert	Vérifier l'alimentation au solénoïde
		Solénoïde défectueux, le remplacer
	Le solénoïde s'ouvre, mais le gaz n'est pas détecté ou ne s'enflamme pas	Ouvrir tous les robinets d'arrêt manuel
		Augmenter la pression de gaz
		Air dans l'alimentation de gaz. Purger l'air
		Circuit imprimé du brûleur défectueux
	L'allumage se produit, puis s'éteint	Vérifier le capteur de flamme pour détecter tout défaut ou toute fissure
		Vérifier la connexion du capteur de flamme
		Vérifier l'emplacement du capteur de flamme
		Problème de mise à la terre, mauvaise mise à la terre
		Polarité électrique inadéquate
		Capteur de flamme touchant le métal
	Le solénoïde s'ouvre, le gaz est détecté, mais il n'y a pas d'allumage	Vérifier le câble de l'allumeur
		Contrôler l'écart de l'allumeur
		Isolateur de l'allumeur défectueux
		Transformateur d'allumage défectueux
		Aucune alimentation au transformateur d'allumage

Diagnostic CI500/CI750

PROBLÈMES	CAUSE	SOLUTION
Trois fois	Le ventilateur du brûleur fonctionne pendant moins d'une minute	Vérifier le tube du capteur de pression pour s'assurer que les connexions sont bien serrées et qu'il n'y a aucun nœud
		Vérifier si les connexions électriques sont appropriées sur l'interrupteur de pression d'air
		Le tube du capteur de pression doit se trouver sur la face extérieure du cannelé (+) de l'interrupteur
		Moteur défectueux
		Tête du brûleur déréglée. S'assurer que la tête du brûleur est correctement réglée aux réglages adéquats
	Le brûleur est allumé, mais défaille après plusieurs minutes	Mauvaise alimentation électrique
		Basse tension
	Le moteur du brûleur tousse	Vérifier la connexion du condensateur
		Condensateur défectueux, le remplacer
		Moteur défectueux
	Le moteur du brûleur ne s'active pas après 5 secondes	Aucune alimentation électrique à l'interrupteur de pression d'air
		Interrupteur de pression d'air défectueux
Le tuyau d'évacuation est bloqué ou le courant descend dans le tuyau d'évent		
Mauvais câblage au moteur		
Moteur défectueux		
Le commutateur du tube de pression est bloqué		

Diagnostic CI500/CI750 (suite)

PROBLÈMES	CAUSE	SOLUTION
Sept fois	Le capteur de flamme s'éteint après l'allumage	Mauvaise mise à la terre
		Approvisionnement en gaz propane incorrectement dimensionné
Dix fois	Moteur défectueux	Remplacer le moteur
	Contrôleur de brûleur défectueux	Remplacer le contrôleur du brûleur
Aucun clignotement	Le brûleur ne démarre pas	S'assurer que l'alimentation électrique est appropriée, vérifier tous les disjoncteurs
		Un des interrupteurs à haute température est déclenché
		Le fusible est grillé ou non connecté
		Commande d'allumage défectueuse.
Le témoin clignote alternativement entre le rouge et le jaune après le démarrage	Faible tension d'alimentation de la fournaise.	Assurez-vous que la chaufferette reçoit le voltage appropriée.

* Le fait de déconnecter l'alimentation électrique du contrôleur du circuit imprimé du brûleur ne réinitialise pas le contrôleur du brûleur.

Dépannage du mode de ventilation

Le moteur ne tourne pas	Vérifier si l'alimentation du moteur du ventilateur.
	Mauvais relais du moteur
	Mauvaises connexions électriques
Le moteur tousse ou ne fonctionne pas	Vérifier si le ventilateur est entravé, ou si le condensateur est défectueux

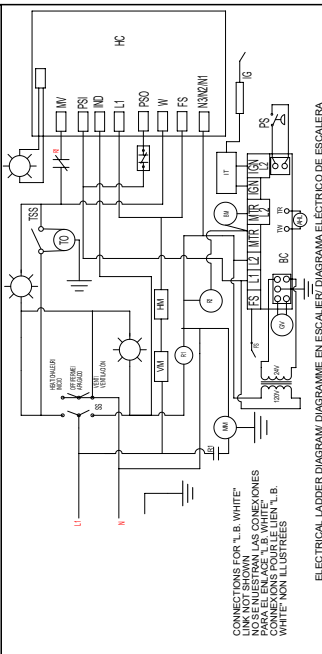
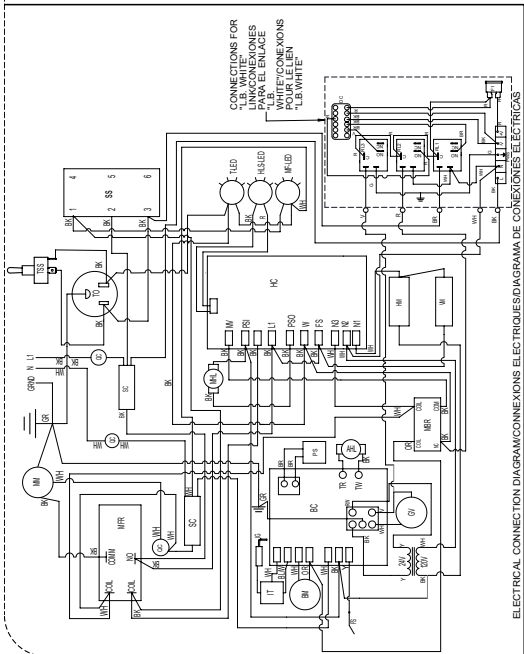
Raccordement électrique et diagramme en échelle CI230

COMPONENT CODE KEY

- AHL: Auto High Limit/Réinitialisation automatique/Réinicio automático
- BC: Burner Control/Contrôle du brûleur/Control del quemador
- BM: Burner motor/Moteur du brûleur/Motor del quemador
- DC: Deutsch Connector/Conector Deutsch/Conector Deutsch
- F1: Fuse 2A/Fusible 2A
- FS: Flame Sense/Sense de la flamme/Sentido de la llama
- GV: Gas Valve/Souapee de gaz/Valvula de gas/Valvula de gas
- HC: Heater Control/Contrôle de l'appareil de chauffage/Control del calentador
- HLS LED: High limit switch LED/DEL de l'interrupteur haute température/LED de interruptor de limite alto
- HM: Hour Meter/Compteur d'heures/Medidor de hora
- IG: Igniter/Allumeur/Encendedor
- IT: Ignition transformer/Transformateur d'allumage/Transformador del encendedor
- MM: Main motor/Ventilateur principal/bombico principal
- MBR: Main burner relay/Relais du brûleur principal/Relé principal del quemador
- MF LED: Main fan LED/Ventilateur principal LED/bombico principal LED
- MFR: Main fan relay/Relais du ventilateur principal/Relé del ventilador principal
- MHL: Manual High Limit/Réinitialisation manuelle/Réinicio manual
- PC: Power cord/Corde d'alimentation/Cable de alimentación
- PS: Pressure switch/Pressostat/Presostato
- PWS: Power Supply/ Source De Courant/ Fuente De Alimentación
- QC: Quick connect/Raccord rapide/conexión rápida
- RL: "Relay" is Number /Relais" est un nombre/Relé" es número
- SC: Splice connection/Capuchon de connexion/Conector de cable
- SL: Selector switch/Interrupteur de sélection/Interruptor selector
- T-LED: Thermostat LED/thermostat La DEL/LED thermostat
- TO: Thermostat outlet/Sortie thermostat/ salida de thermostat
- TSS: Thermostat selector switch/Interrupteur de selection du thermostat/Interruptor selector de termostato
- VM: Volt meter/Voltmètre/Voltmetro

WIRE COLOR CODE KEY

- BK: Black/Noir/Negro
- BL: Blue/Bleu/Azul
- BR: Blue White Stripe/Bleu Blanc et Bandes/Raya Blanca Azul
- BRW: Brown White Stripe/Brun Blanc et Bandes/Raya Blanca Marron
- GR: Green/Vert/Verde
- OR: Orange/Orange/Anaranjado
- R: Red/Rouge/Rojo
- RW: Red White Stripe/Rouge Blanc et Bandes/Raya Blanca Roja
- V: Volt
- WH: White/Blanc/Blanco
- Y: Yellow/Jaune/Amarillo

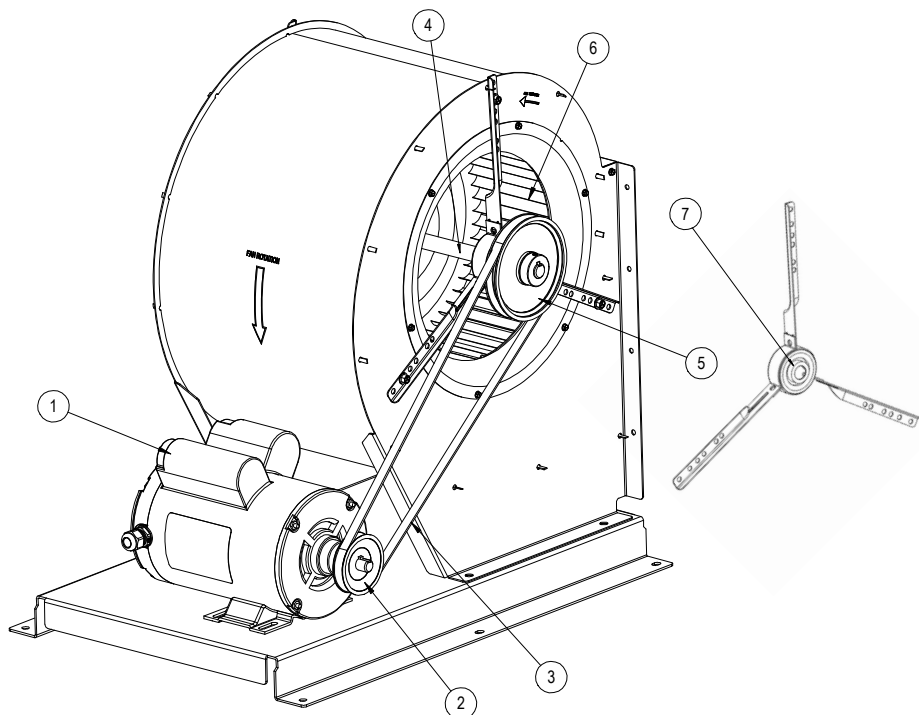


CONNECTIONS FOR "L.B. WHITE"
LINK NOT SHOWN IN THIS WIRING
DIAGRAM. SEE ORIGINAL WIRING
DIAGRAM FOR CONNECTIONS
PARA EL CABLE DE ALIMENTACION
PARA EL CABLE DE ALIMENTACION
PARA EL CABLE DE ALIMENTACION
PARA EL CABLE DE ALIMENTACION
WHITE - NON ILLUSTRÉS

ELECTRICAL LADDER DIAGRAM EN ESCALIER/ DIAGRAMA ELECTRICO DE ESCALERA

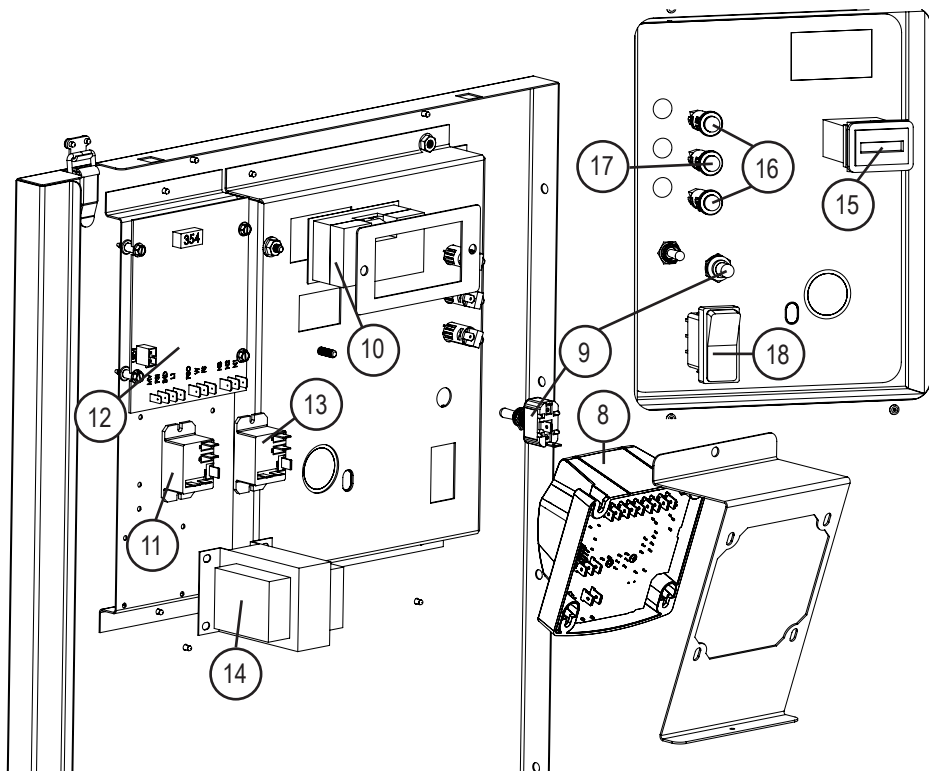
IF ANY OF THE ORIGINAL WIRING AS SUPPLIED WITH THE HEATER MUST BE REPLACED, IT MUST BE REPLACED WITH WIRING MATERIAL HAVING A TEMPERATURE RATING OF AT LEAST 302°F (150°C) / SI SE DEBE CAMBIAR CUALQUIER CABLE ORIGINAL PROPORCIONADO CON EL APARATO, SE DEBE CAMBIAR POR UN CABLE CON UNA CALIFICACION DE TEMPERATURA DE AL MENOS 302°F (150°C)

Liste des pièces - Moteur de ventilateur/roue de ventilateur



Item	Description	CI230	CI500	CI750
1	Moteur	574120	573565	573686
2	Poulie, moteur	--	573569	573683
3	Courroie	--	573552	574164
4	Arbre, assemblage du ventilateur	--	573572	
5	Poulie	--	573573	573684
6	Roue, ventilateur	574123	573581	573694
7	Roulement, cartouche de caoutchouc	--	573696	

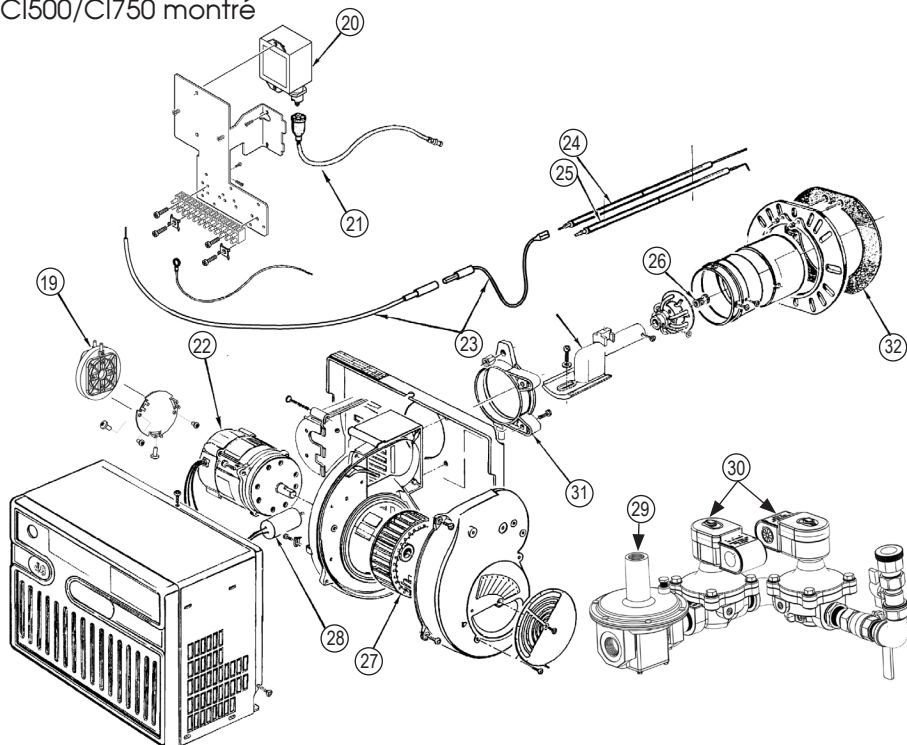
Liste des pièces – Boîte de contrôle



Item	Description	C1230	C1500	C1750
8	Commande d'allumage pour le brûleur	574118		573554
9	Interrupteur à bascule, Interrupteur avec démarrage		571906	
10	Voltmètre		573947	
11	Relais, MFR, 120VAC coil	574253		570221
12	Contrôle moteur de soufflante		573553	
13	Relais, MBR, 120VAC coil	574253		--
14	Transformateur	574117		--
15	Compteur horaire		574121	
16	DEL, encliquetable, vert, 120V		573770	
17	DEL, encliquetable, Rouge, 120V		573564	
18	Commutateur, bascule		574122	

Liste des pièces – Composants du brûleur

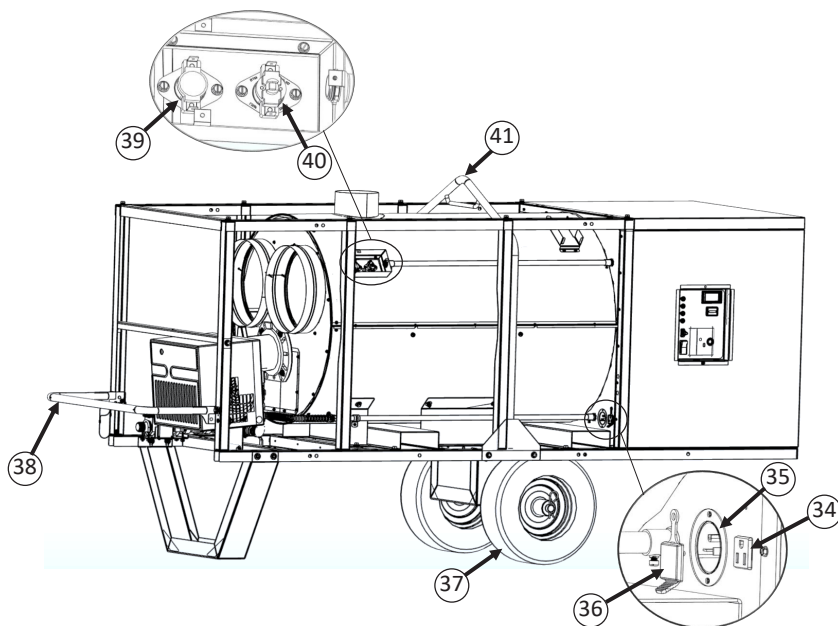
CI500/CI750 montré



Item	Description	CI230	CI500	CI750
19	Interrupteur, pression d'air	574113		573574
20	Transformateur, allumage	574112		573563
21	Câble d'allumage	--		573555
22	Moteur, brûleur	574110		573566
23	Câble, détecteur de flamme	--		573583
24	Sonde, détecteur de flamme	574114		573571
25	Allumeur	574115		573562
26	Orifice, brûleur	--	573567	573709
27	Roue, ventilateur	574111		573582
28	Condensateur, 20µF	--		573556
29	Régulateur, 1 po NPT	--		573578
30	Robinet, électromagnétique, 120V	574116		573579
31	Collier, montage sur châssis, Riello	--		573672
32	Joint, fibre, brûleur, Riello	--		573673
33*	Joint, tube de brûleur à la chambre de combustion		573776	

** Pas illustré

Liste des pièces – Composants du châssis



Item	Description	CI230	CI500	CI750
34	Prise électrique, NEMA, femelle AC, intégrable		573570	
35	Entrée, à bride, lame droite, NEMA	574125	574126	574127
36	Couvercle, prise de thermostat	574138		
37	Roue	573991	573581	
38	Poignée, levage	574428	573560	
39	Interrupteur, fin de course, brûleur, réinitialisation automatique	573575		
40	Interrupteur, température élevée, 250 °F	571671		
41	Poignée, levage, balle	574139	573561	
42**	Thermostat avec cordon de 7,62 m (25 pi)*	500-30125		
43**	Panneau, arriere	574129	574130	
44**	Couverture haute limite	574101		
45**	Couvercle, soupape à gaz, contremaître 230	574277	NA	

* Accessoires optionnels

** Pas illustré

Politique de garantie

FOURNAISE

L.B. White Co., LLC garantit que les éléments constitutifs de sa fourniture sont exempts de défauts de matériaux et de fabrication, lorsqu'ils sont correctement installés, utilisés et entretenus conformément aux directives d'installation et d'entretien, aux guides de sécurité et aux étiquettes apposées sur chaque unité. Si, dans les 24 mois à compter de la date d'achat par l'utilisateur final, un composant est jugé défectueux, L.B. White Co., LLC, à sa discrétion, réparera ou remplacera la pièce défectueuse ou la fourniture, au moyen d'une nouvelle pièce ou une fourniture, F.O.B., Onalaska, Wisconsin.

L'enregistrement de votre produit en ligne auprès de L.B. White qualifiera automatiquement un appareil et ses composants à la garantie. Si un produit n'a pas été enregistré auprès de L.B. White, une copie de l'acte de vente sera nécessaire pour établir l'admissibilité à la garantie. Si ni l'un ni l'autre n'est disponible, la période de garantie sera de 24 mois à compter de la date d'expédition des locaux de L.B. White.

PIÈCES

L.B. White Co., LLC garantit que les pièces de rechange achetées à la société et utilisées sur l'équipement L.B. White approprié sont exemptes de défauts à la fois de matériel et de fabrication pendant 12 mois à compter de la date d'achat par l'utilisateur final. La garantie est automatique si un composant est jugé défectueux dans les 12 mois suivant le code de date indiquée sur la pièce. Si le défaut se produit plus de 12 mois plus tard que le code de date, mais dans les 12 mois à compter de la date d'achat par l'utilisateur final, une copie d'une facture de vente sera nécessaire pour établir l'admissibilité à la garantie.

La garantie énoncée ci-dessus est la garantie exclusive fournie par L.B. White, et toutes les autres garanties, y compris les garanties implicites de qualité marchande ou d'adéquation à un usage particulier, sont expressément exclues. Dans le cas où une garantie implicite n'est pas expressément accordée en raison de la loi, cette garantie implicite est limitée en durée à la durée de la garantie applicable indiquée ci-dessus. Les solutions mentionnées ci-dessus représentent les seuls et exclusifs recours disponibles aux termes des présentes. L.B. White ne pourra être tenue responsable des dommages indirects ou consécutifs, directement ou indirectement liés à la vente, la manutention ou l'utilisation de

l'équipement, et dans tous les cas, la responsabilité de L.B. White en lien avec l'équipement, y compris pour les réclamations reposant sur la négligence ou la responsabilité stricte, est limitée au prix d'achat.

Certains États et certaines provinces ne permettent pas les délais de prescription quant à la durée d'une garantie implicite, ainsi le délai de prescription ci-dessus peut ne pas vous concerner.

Certains États et certaines provinces ne permettent pas l'exclusion ou la limitation des dommages indirects ou consécutifs, de sorte que la limitation ou l'exclusion ci-dessus peut ne pas vous concerner. Cette garantie vous donne des droits juridiques précis, et vous pouvez également avoir d'autres droits qui varient d'une province à l'autre. Pour enregistrer votre produit et vous assurer d'obtenir la garantie intégrale, rendez-vous à l'adresse http://www.lbwhite.com/customer_care_center/product-registration/. Veuillez avoir les numéros de série et les modèles sous la main des produits que vous enregistrez.

Service courant, maintenance et entretien

Communiquez avec votre distributeur L.B. White local pour obtenir des pièces de rechange et assurer le service courant. Vous pouvez aussi appeler L.B. White Co., LLC au 1 800 345-7200, pour obtenir de l'assistance ou par courriel à l'adresse customerservice@lbwhite.com.

Assurez-vous d'avoir votre numéro de modèle de la fourniture ainsi que le numéro de configuration sous la main lors de l'appel.



FOURNISSEUR MONDIAL - SOLUTIONS CLIMATIQUES INNOVANTES

411 Mason Street, Onalaska, WI 54650

1 800 345-7200 • 608 783-5691

608 783-6115 (télécopieur)

www.lbwhite.com